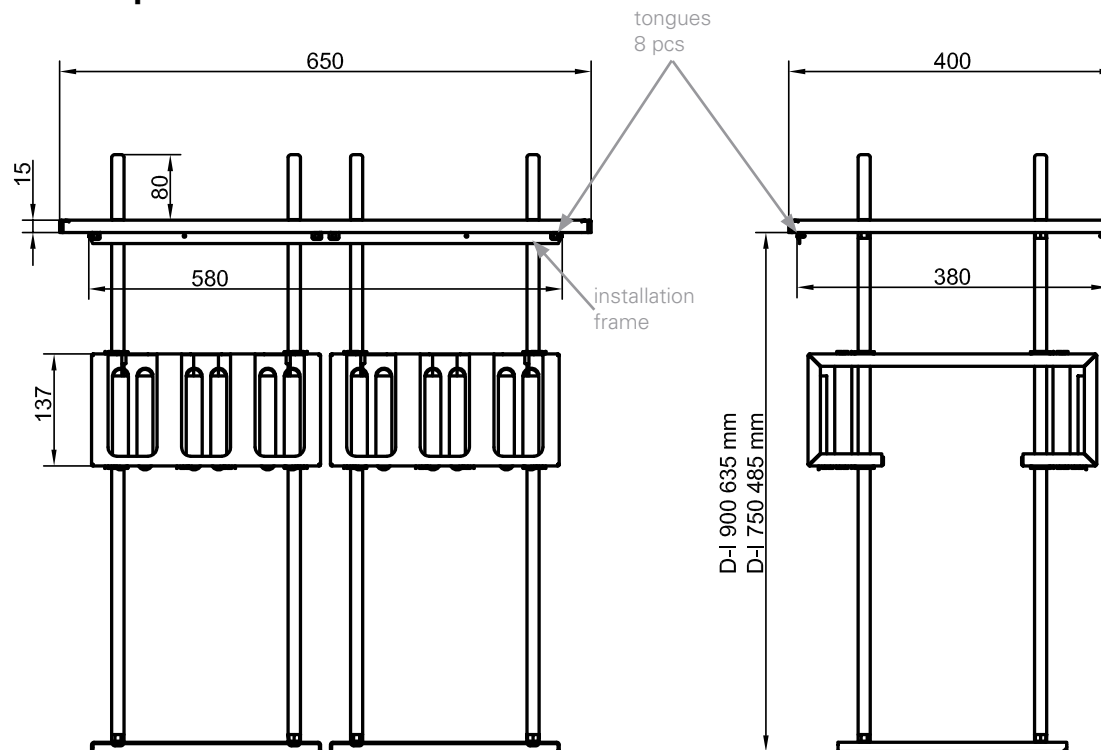


Installation on top of the table

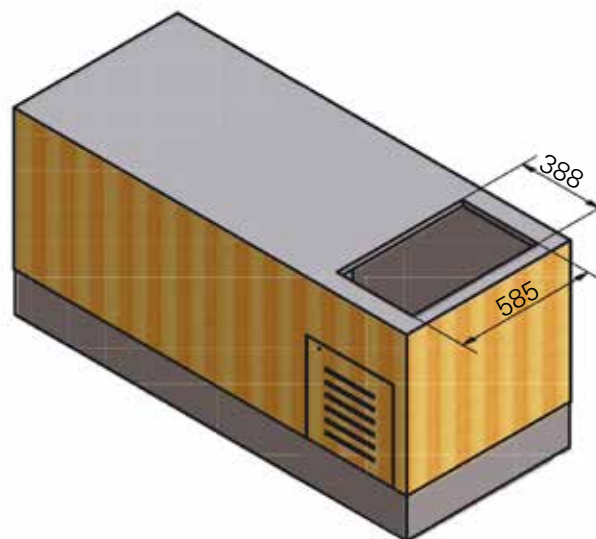


Drop-in Plate dispenser Metos D-I PD 2x270 neutral

The counter, where drop-in units are installed, must be damp-proof and strong enough to bear the appliance weight.

When installing neutral plate dispensers, an installation frame should be mounted in the drop-in opening before lowering the cylinders. Bend down the eight tongues of the installation frame and then mount the frame. The tongues set the frame in the opening correctly. After this the cylinders are lowered into the installation frame.

Net weight:
D-I PD 2x270 40 kg



D-I opening

