

## Dishwasher Metos WD-6 including Autostart

Good working environment, excellent hygienic standards and optimal washing results make the Metos WD-6 Autostart dishwasher one of the best hood-type dishwashers available in the market.

The Autostart is the only dishwasher model available in the market with a fully automatic hood lifting and lowering system. The hood is lowered and the dishwasher starts automatically when a basket is being pushed in. The hood lifts automatically at the end of the washing cycle. The unique structure of the hood prevents steam from rising towards the face of the user when the hood is being opened. The minimum cold water pressure in the automatic hood lifting system is 300 kPa.

The washing and rinsing times as well as the rinsing water temperature may be adjusted as necessary which enables creation of an individual washing programme for example for fine porcelain using a lower rinsing water temperature. Alarms for a too low water temperature and an insufficient amount of rinsing water. If the rinsing water temperature falls below 85°C, the washing cycle continues until the required rinsing water temperature has been reached. The dishwasher checks the availability of sufficient rinsing water capacity, and an alarm sounds if there is not enough rinsing water. Washing water is removed from the washing arms prior to rinsing to protect clean dishes from the dripping washing water.

The chosen programme, temperature and the remaining washing time are displayed on the control panel. Additionally, the total daily number as well as the total over-all number of baskets



loaded and washed in the machine are displayed on the control panel. The dishwasher informs the user of a closed water tap as well as of a detached overflow pipe. The dishwasher is easy to keep clean with the help of an automatic cleaning programme. The stand-by function enables maintaining the basin temperature during longer pauses between wash cycles. When the stand-by function is on, the hood of the dishwasher is closed and the washing programme cannot be started.

- automatic lifting and lowering of the hood
- three washing cycles: 1.2, 1.7 and 3.2 minutes
- free height of the washing area is 405 mm
- automatic cleaning programme
- diagnostics
- stand-by function
- unclogging washing arms
- pump power output 0.9 kW
- Booster heater 9 kW
- electronic control
- sound and thermal insulation
- basin volume 50 l
- basket size 500x500 mm

#### DELIVERY INCLUDES:

- rinse dosage device
- basket for plates
- basket for cups
- cutlery basket

#### ACCESSORIES (ordered separately)

- liquid washing detergent dosage device
- HACCP (WEB Tool)
- steam hood is installed at the back of the dishwasher preventing the steam from entering the room and guides it to the ventilation duct.
- equipped with a high pressure pump
- equipped with a bilge pump
- connected to cold water tap (equipped with a 12kW boiler, 25A)
- steam condenser for cold water tap connected dishwashers
- steam condenser and heat recovery for cold water tap connected dishwashers
- automatic control for ventilation blower loaded and washed in the machine are displayed on the control panel. The dishwasher informs the user of a closed water tap as well as of a detached overflow pipe. The dishwasher is easy to keep clean with the help of an automatic cleaning programme. The stand-by function enables maintaining the basin temperature during longer pauses between wash cycles. When the stand-by function is on, the hood of the dishwasher is closed and the washing programme cannot be started.

- automatic lifting and lowering of the hood
- three washing cycles: 1.2, 1.7 and 3.2 minutes
- free height of the washing area is 405 mm
- automatic cleaning programme
- diagnostics
- stand-by function
- unclogging washing arms
- pump power output 0.9 kW
- Booster heater 9 kW
- electronic control
- sound and thermal insulation

- basin volume 50 l
- basket size 500x500 mm

DELIVERY INCLUDES:

- rinse dosage device
- basket for plates
- basket for cups
- cutlery basket

ACCESSORIES (ordered separately)

- liquid washing detergent dosage device
- HACCP (WEB Tool)
- steam hood is installed at the back of the dishwasher preventing the steam from entering the room and guides it to the ventilation duct.
- equipped with a high pressure pump
- equipped with a bilge pump
- connected to cold water tap (equipped with a 12kW boiler, 25A)
- steam condenser for cold water tap connected dishwashers
- steam condenser and heat recovery for cold water tap connected dishwashers
- automatic control for ventilation blower

## Dishwasher Metos WD-6 including Autostart

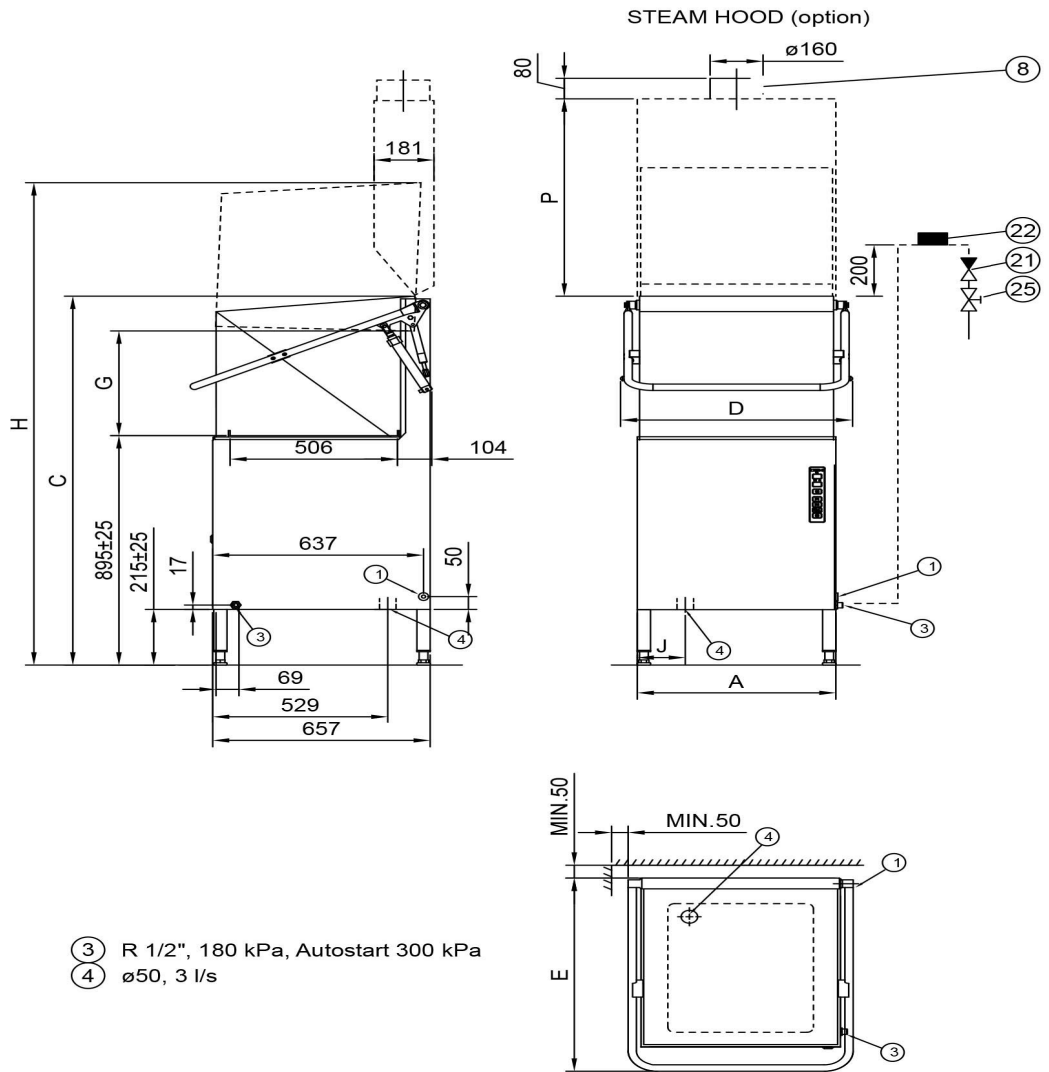
Product capacity	a. 50 racks/hour
Inside measures mm	545x506x405
Item width mm	600/723
Item depth mm	657/700
Item height mm	1430/1880
Package volume	0.847
Unit of volume	m <sup>3</sup>
Package volume	0.847 m <sup>3</sup>
Package length	76.5
Package width	71
Package height	156
Package unit of dimension	cm
Package dimensions (LxWxH)	76.5x71x156 cm
Net weight	93
Net weight	93 kg
Gross weight	115
Package weight	115 kg
Unit of weight	kg
Connection power kW	9.9
Fuse Size A	16
Connection voltage V	400
Number of phases	3NPE
Frequency Hz	50
Protection rating (IP)	45
Type of electrical connection	Semifixed
Electrical conn. height mm	550±50
Cold water diam.	1/2"
Cold water flow l/min	5
Cold water min pressure kPa	300

## Dishwasher Metos WD-6 including Autostart

Hot water diam.	1/2"
Hot water flow l/min	18
Hot water conn. height mm	200
Drain diameter	50
Drain flow l/s	3
Drain conn. height mm	215
Sound level dB	61
Heat load sensitive W	1700
Heat load latent W	600
Boiler power kW	9
Power type	electric
Operation type	electronical
Cleaning	washing program
Washing basket size mm	500x500
Programmability	ready programs;programmable
Amount of programs	3
Insulation	insulated
Method of washing	normal wash
Drain pump	No
Automatic hood lift	Yes
Model	WD-6



**METOS WD-6, WD-7**



Metos	A	C	D	E	G	H	J	P
WD-6	600	1430	695	700	405	1880	145	645
WD-6 Autostart	600	1430	710	700	405	1880	145	645
WD-7	660	1540	755	720	505	2080	175	750
WD-7 Autostart	660	1540	770	720	505	2080	175	750