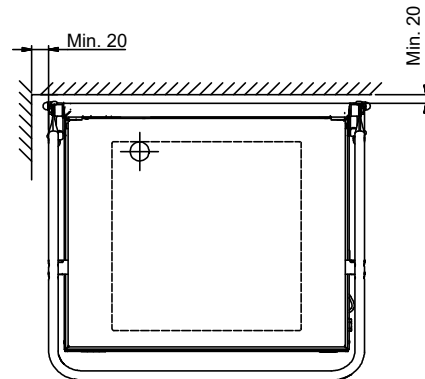
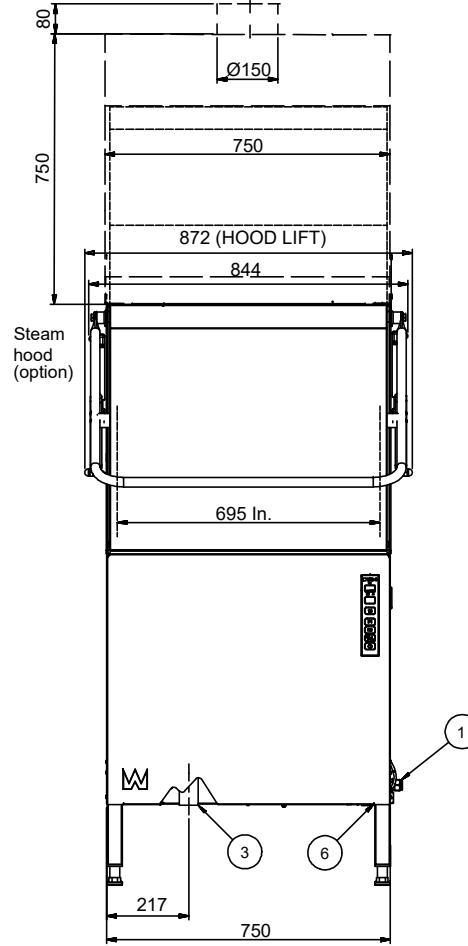


1. Electrical connection
2. Water connection external thread R1/2" Bar
3. Drain Ø50 3l/sec
4. Plugged hole for detergent connection
5. Air bleeding screw lift cylinder
6. Water output detergent dosing
7. Alternative water connection from below



WD-8 with ECO-FLOW condensing unit and heat exchanger

