

## Mixer Metos SP-A80HI 400V3~ with attachment

80 l universal floor mixer. With attachment drive

- 4 speed gear box motor
- electrical bowl lift
- stainless steel safety guard
- enamelled steel body
- timer
- emergency stop Standard accessories (included in the offered price)
- stainless steel bowl 80 ltr
- aluminium hook
- aluminium whip
- aluminium flat beater
- bowl trolley Extra accessories (will be charged separately)
- meat mincer
- vegetable cutter



## Mixer Metos SP-A80HI 400V3~ with attachment

Product capacity	80 litres
Item width mm	789
Item depth mm	1088
Item height mm	1559
Package volume	1.327
Unit of volume	m3
Package volume	1.327 m3
Package length	79
Package width	107
Package height	157
Package unit of dimension	cm
Package dimensions (LxWxH)	79x107x157 cm
Net weight	455
Net weight	455 kg
Gross weight	480
Package weight	480 kg
Unit of weight	kg
Connection power kW	2.24
Fuse Size A	16
Connection voltage V	400
Number of phases	3PE
Frequency Hz	50
Protection rating (IP)	54
Type of electrical connection	Semifixed
Electrical conn. height mm	600
Sound level dB	70
Power range kW	2.235
Bowl transfer	electronic
Attachment drive	Yes

## Mixer Metos SP-A80HI 400V3~ with attachment

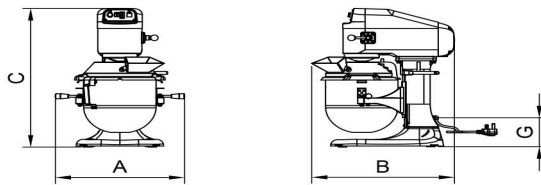
Timer

Yes

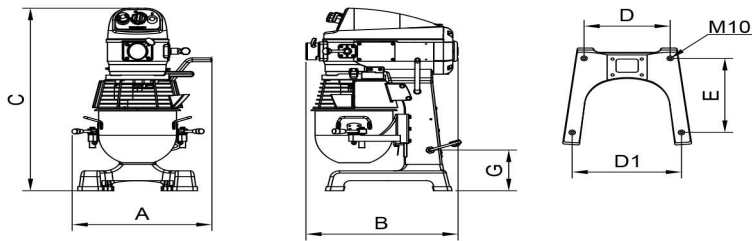


## METOS SPAR

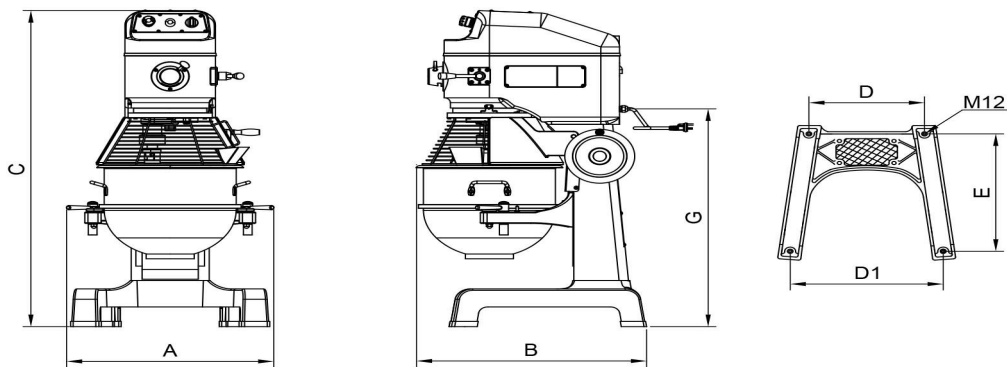
SP502/SP800



SP-100/SP-200



SP-30 - SP80



Metos	A	B	C	D	D1	E	G
SP-502A-B	392	388	434	140	136	250	60
SP-800A-B	414	455	580	192	208	282	121
SP-100A	448	490	765	236	301	346	170
SP-200A	550	515	871	242	341	353	217
SP-30HA	650	667	1172	390	496	560	783
SP-40HA	665	738	1315	410	545	575	907
SP-60HA	775	770	1308	410	545	575	899
SP-A80HI	788	1088	1559	440	665	804	1171
SP-B80HI	788	1088	1559	440	665	804	1171