

# Combi steamer Metos iCombi Classic 6-1/1 5 BAKE

Capacity 5 guide rails for 400x600mm baking trays, guide rail distance 88 mm.

Metos iCombi Classic is an easy-to-use, ergonomic and safe combination oven for efficient food production in a professional kitchen. The user experience is topped by the oven cleaning, which is done by selecting the most fitting out of 4 automatic washing programs.

The Metos iCombi Classic has in addition to the three cooking functions, the combined oven has finishing, programming and cooling functions. In the steam boiling, the steam generator produces hygienic and fresh steam in the chamber. The constant temperature of the chamber and saturated vapor guarantee a very gentle brewing and thus the best cooking result. The colors of the food remain delicious while preserving the nutrients and vitamins. Steam cooking is excellent for cooking vegetables. Even delicate foods like crème caramel, pies or fish can be cooked with little effort - even in large quantities. Steam heating temperatures range from +30°C...+130°C.

In circulating air condensation, hot air rotates at high speed, evenly distributed throughout the entire chamber. The meat surface immediately closes, maintaining juice inside the meat. Continuous, even 300 degrees hot air is not just a technical detail, but it is also available at full load. This is the only way to guarantee browned French fries, to cook frozen raw materials such as croquettes, spring rolls and chicken wings or soft bakery products. Steam heating temperatures range from +30°C...+130°C.

The combustion combines the benefits of hot



air and steam. Hot steam offers a shorter cooking time with less food loss and succulence, hot air giving a strong aroma, delicious color and crispy crust. This avoids up to 50% of normal cooking losses as well as from turning food and saves cooking time. Combination heating temperatures range from +30°C...+300°C.

#### Description and properties:

- ClimaPlus is an active moisture controller, which continuously measures and adjusts the moisture, like it gets rid of the extra humidity. This feature affects the ovens capacity, the quality of the food and the use of electricity. Humidity can be adjusted in 10% steps and the precise value can be read from the display.
- Dynamic air turbulence. Thanks to the both way blowing fan the chamber has extraordinarily great airflow. The chamber has 5 manually programmable fan wheel speeds. Optimal use of electricity guarantees consistent cooking and shorter cooking times.
- High-performance steam generator produces steady temperature clean steam, even when cooking in under 100 degrees.
- The technical space has an integrated maintenance-free replacement air filter, which works without a separate replaceable filter.
- Cooling function. The cooking chamber can be cooled quickly with efficient airflow.
- The inside temperature of the product being cooked is possible with a separate thermometer. The installation handle for soft product thermometer is an accessory.
- Delta- T cooking function is ideal for very delicate cooking. Delta- T
- cooking weight loss is minimal.
- Digital temperature display adjustable in Celsius or Fahrenheit, display of target and actual values.
- Digital display of the cooking chamber humidity and time, display of target and actual values.
- The combination oven has 100 cooking program spots up to 12-step programs.
- Named programs can be chosen from the display.
- Temperature, cooking time and humidity are adjustable while in use.
- Programs are easy to move with an USB flash drive from one oven to another.
- Integrated hand shower with automatic return and single jet function.
- Energy-saving, long life LED lighting in the cooking chamber with high color rendering for quick detection of the current state of food.

#### Occupational and operational safety:

- Electronic safety temperature limiter for

steam generator and convection heating.

- Integrated fan wheel brake.
- Use of Active Green cleaner tabs and care tabs for optimal work safety.
- HACCP data storage and output via USB.
- Tested according to national and international standards for unsupervised operation.
- Maximum rack height not higher than 1.6m when using a RATIONAL base frame.

Networking:

- Integrated, splash protected USB port for data exchange.
- Optional integrated splash protected Ethernet port.
- Optional integrated WLAN connection ( includes an Ethernet port)

Cleaning and care:

- Automatic cleaning and care system is non dependent of Non-mains pressure.
- Care system cleans and takes care of the steam generator.
- 4 cleaning programs for unsupervised cleaning, even overnight.
- Simple control panel which shows the right cleaning routine, the right amount of cleaning tabs according to dirtiness and the time left on the program.
- Use of phosphate and phosphorous free Active Green Cleaning tabs and Care tabs.
- Metos iCombi Classic ovens use iCare treatment tablets. When selecting the washing program, the oven display shows the required number of treatment tablets. When used regularly, iCare tablets also descale the steam generator during washing, and no separate descaling is required.
- Automatic safety routine after a power failure ensures a detergent-free cooking chamber even after the cleaning has been cancelled.
- Hygienic, floor level installation without feet for easy, safe cleaning.
- 2 pane oven door with rear ventilation and swivelling glass panes for easy cleaning.
- Material inside and outside stainless steel DIN 14301, seamless hygienic cooking chamber with rounded corners and optimized air flow.
- Easy and safe external cleaning due to glass and stainless steel surfaces as well as protection against water jets from all directions due to protection class IPX5.

Operation:

- 4,3" TFT-color display and capacitive touchscreen with self- explanatory symbols for simple, intuitive operation and control using sweep or swipe movements.
- Central dial with push function for intuitive selection and confirmation of entries.
- Acoustic prompt and visual display when user intervention is required.
- Separate hoods for the oven (UltraVent, Ult

*... more details on our web pages*

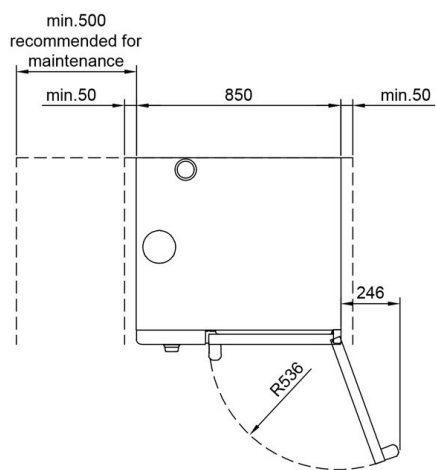
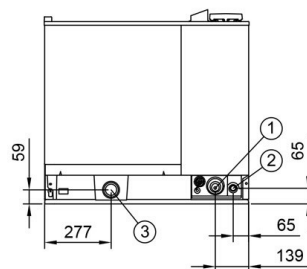
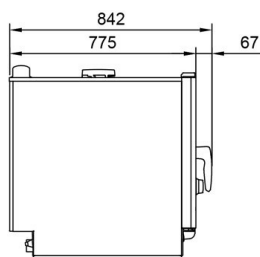
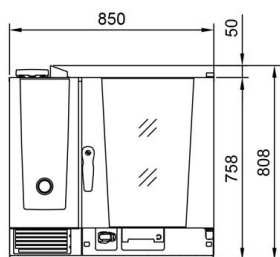
## Combi steamer Metos iCombi Classic 6-1/1 5 BAKE

Product capacity	5 pcs 40x60 baking plates
Item width mm	850
Item depth mm	775/842
Item height mm	754/804
Package volume	0.866
Unit of volume	m3
Package volume	0.866 m3
Package length	94
Package width	96
Package height	96
Package unit of dimension	cm
Package dimensions (LxWxH)	94x96x96 cm
Net weight	99
Net weight	99 kg
Gross weight	117
Package weight	117 kg
Unit of weight	kg
Connection power kW	10.8
Fuse Size A	16
Connection voltage V	400
Number of phases	3NPE
Frequency Hz	50/60
Protection rating (IP)	X5
Type of electrical connection	Semifixed
Electrical conn. height mm	47
Cold water diam.	3/4"
Drain diameter	50
Hinge location	right
Fill in trolleys	No

# Combi steamer Metos iCombi Classic 6-1/1 5 BAKE

Model

iCombi Classic



- ① Electrical connection: Semifixed, 2,5 m cable without plug
- ② Cold water connection: R 3/4" male, pressure 100 - 600 kPa ( 300 kPa recommended)
- ③ Drain connection: DN 50 mm pipe