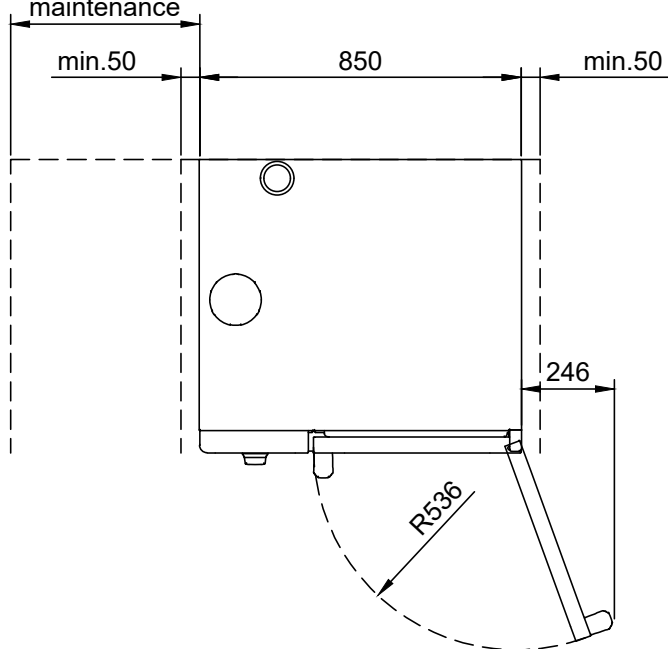


min.500  
recommended for  
maintenance



- ① Electrical connection: Semifixed, 2,5 m cable without plug
- ② Cold water connection: R 3/4" male, pressure 100 - 600 kPa ( 300 kPa recommended)
- ③ Drain connection: DN 50 mm pipe