

metos

TROLLEY DISHWASHER WD-18CW *touch*

(original documentation)

Spare parts manual



1. Spare parts	1
1.1 General Information and safety	1
1.2 Signs	2
1.3 Panels, single and double doors	4
1.4 Floor plates & Ramps, single and double doors	6
1.5 Electrical Cabinets	8
1.6 Display and electronic card	10
1.7 Curtain(s) with driving, single and double doors	12
1.8 Rotating table	16
1.9 Wash cage	18
1.10 Doors, single door	20
1.11 Gates, double doors	22
1.12 Locking device, gates	24
1.13 Cage driving. gate operation	26
1.14 Water and steam connection	28
1.15 Connection, water and compressed air	30
1.16 Pressure regulator and valve assembly	32
1.17 Steam connection (option)	34
1.18 Booster pump with connections	36
1.19 Break tank (option)	38
1.20 Heat recovery unit	40
1.21 Connections, booster heater, electrically heated machines	42
1.22 Extended booster heater 400 V 12 kW	44
1.23 Booster heater, extended 230 V 12 kW (Option)	46
1.24 Connections, booster heater, steam pressure 150-250kPa (option)	48
1.25 Connections, booster heater, steam pressure 50-140kPa (option)	50
1.26 Booster heater steam-heated (option)	52
1.27 Tank with connections and pumps	54
1.28 Return pump with connections and strainer	56
1.29 Water tank, external details	58
1.30 Water tank, internal details	60
1.31 Electrically heated tank element	62
1.32 Piping, steam-heated tank element, 50-140 kPa (option)	64
1.33 Pipe assembly, steam, 50-140kPa (option)	66
1.34 Piping, steam-heated tank element, 150-250 kPa (option)	68

1.35 Steam-heated tank element (option)	70
1.36 Rinsing system	72
1.37 Main pipe with overflow (option)	74
1.38 Built-in compressor (option)	76
1.39 Pump P65-18	78
1.40 Pump P65-18 SH	80
1.41 Booster pump 1HM	82

1. Spare parts

1.1 General Information and safety

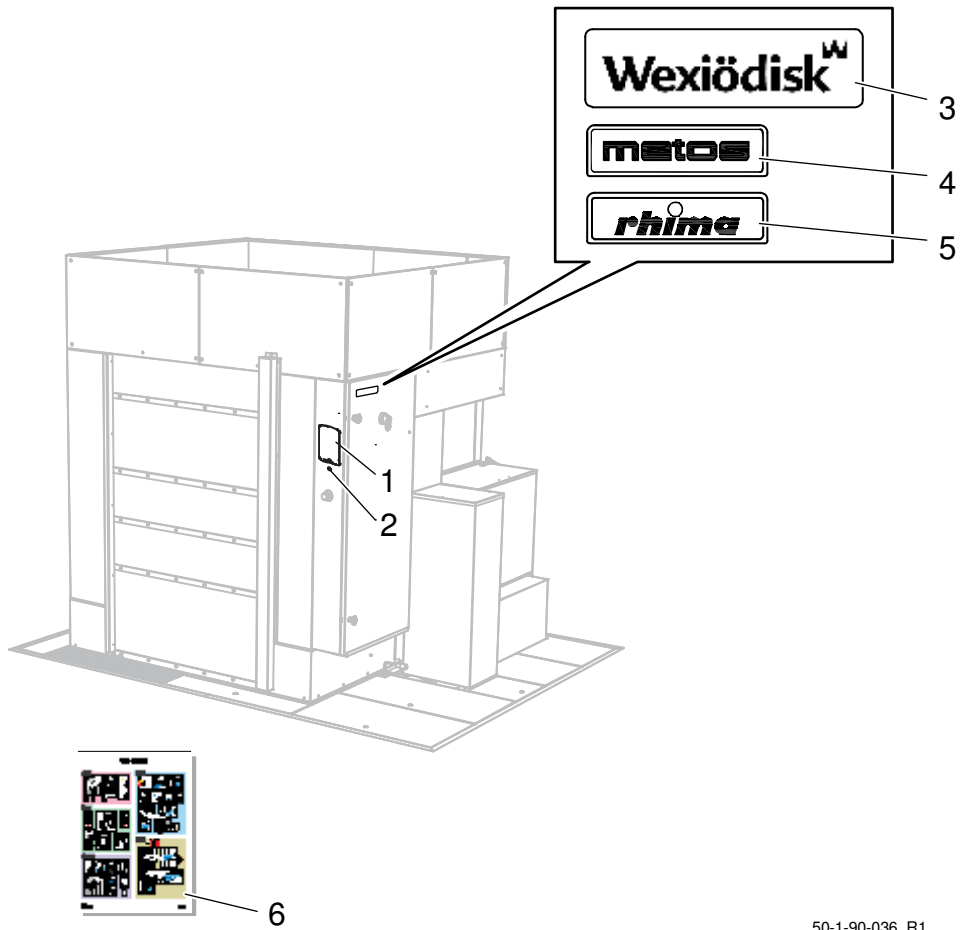


Read the instructions in the manuals INSTALLATIONS AND USER MANUAL and SERVICE MANUAL carefully as these contain important information regarding the correct, effective and safe installation, use and servicing of the machine. Be especially attentive to the chapter GENERAL INSTRUCTIONS and SAFETY INSTRUCTIONS. Service personnel should have access to all documentation for the machine.

If an item does not have a part number, it has a dedicated section in the spare parts manual or it is an electrical component. Electrical components must always be checked against the machine's wiring diagram.

Items that have an * in front of their description are included in a complete part but can also be purchased separately.

1.2 Signs

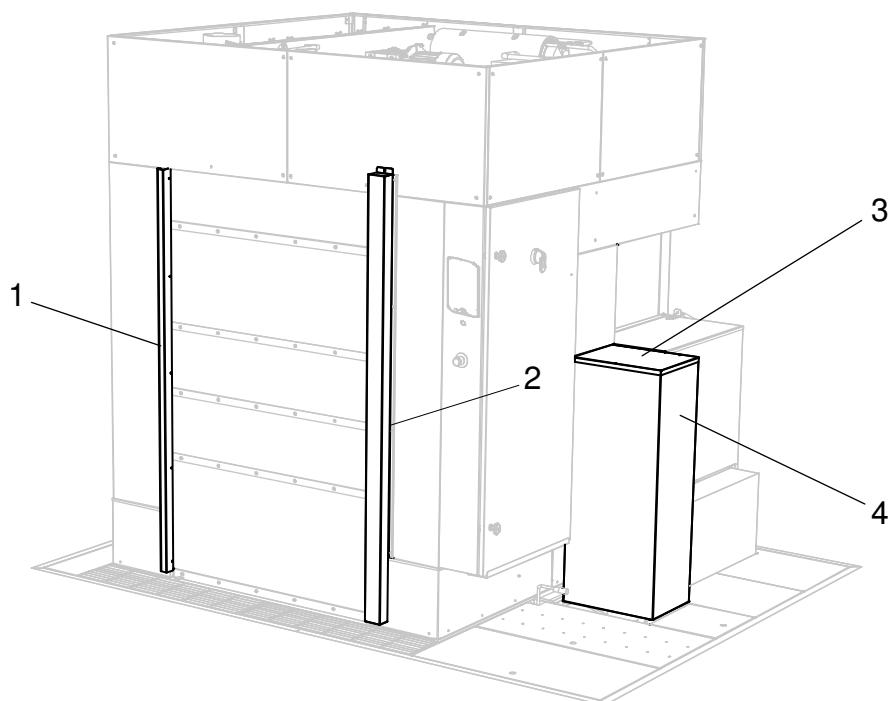


50-1-90-036_R1

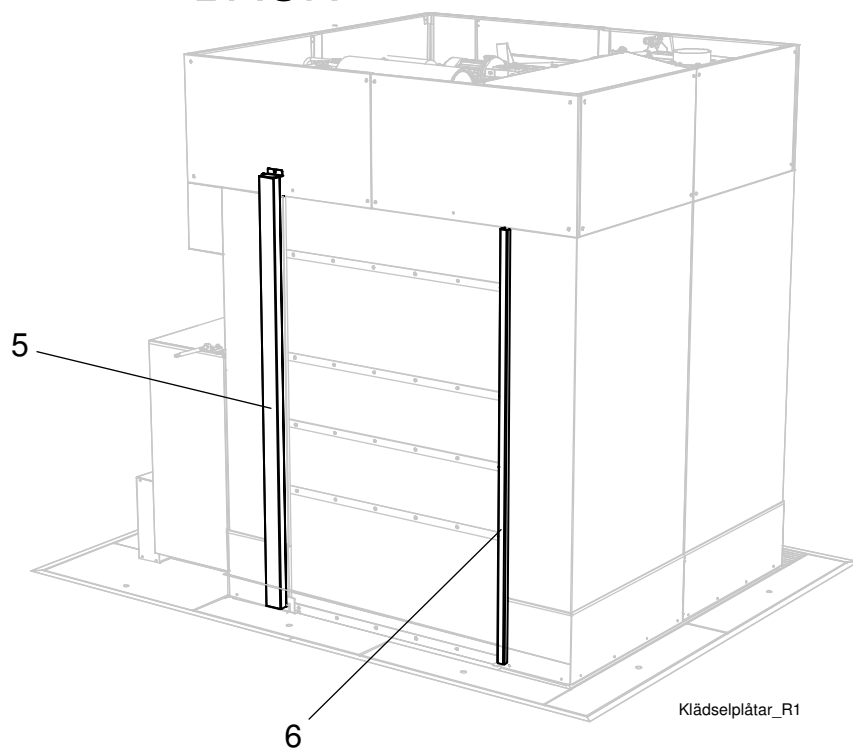
Signs			
Item	WD no.	Description	Comment
1		Display	See the machine's wiring diagram and dedicated section
2		ON/OFF button	See the machine's wiring diagram
3	WD300898.31	ID plate	Wexiödisk
4	WD44451.31	ID plate	Metos
5	WD44586.31	ID plate	Rhima
6	WD724.6097	Quick guide	

1.3 Panels, single and double doors

FRONT



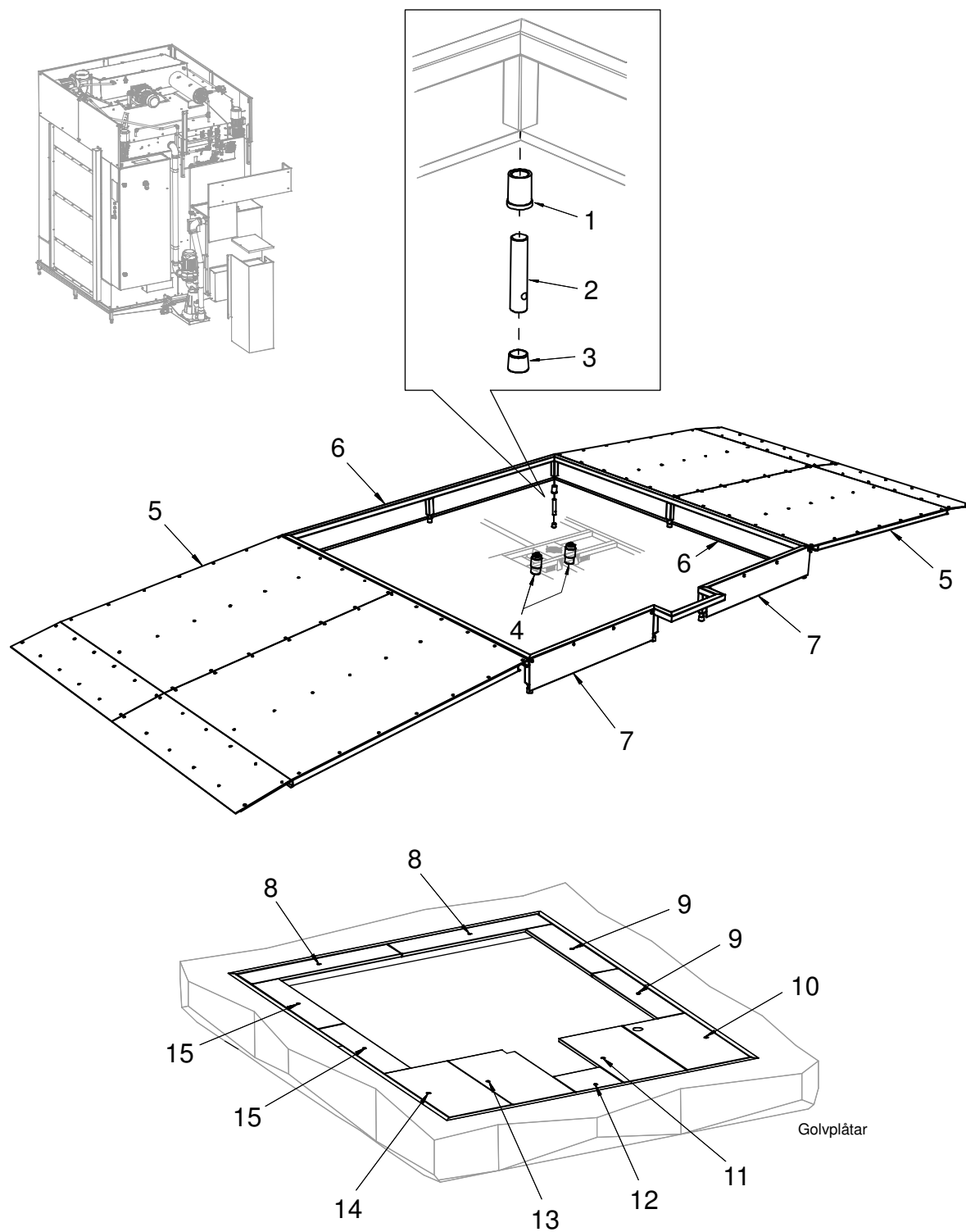
BACK



Spare parts

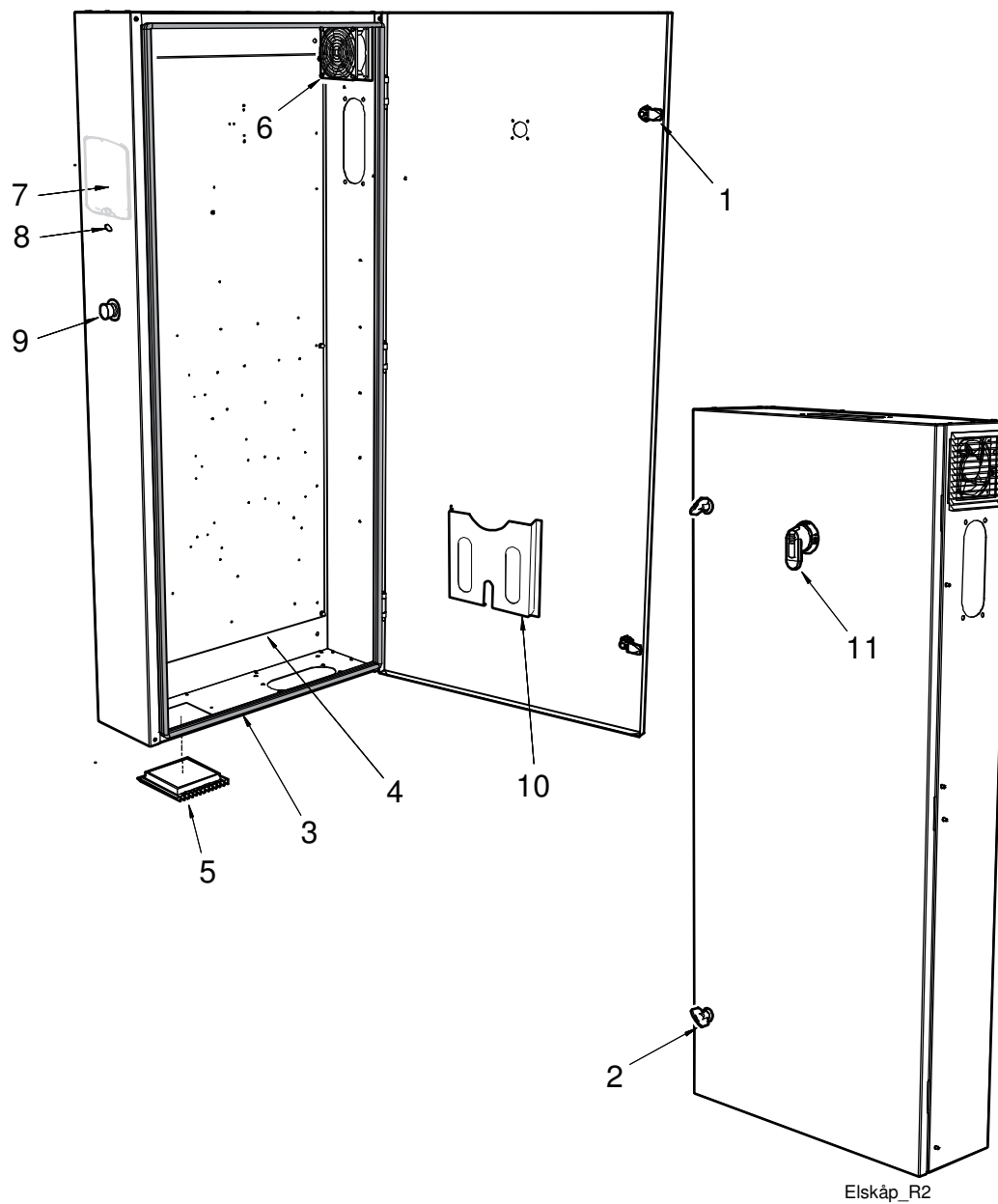
Panels, single and double doors			
Item	WD no.	Description	Comment
1	WD24455.31	Panel profile	
2	WD302087.31	Protective strip	
3	WD36412.31	Cover	
4	WD303630.31	Protective cover pumps	
5	WD302087.32	Protective strip	Double door
6	WD24455.31	Panel profile	Double door

1.4 Floor plates & Ramps, single and double doors



Floor plates & Ramps, single and double doors			
Item	WD no.	Description	Comment
1	WD04478.02	Sleeve	
2	WD43102.31	Leg	
3	WD718.0502	Plastic foot	
4	WD43485.01	Supporting leg	Under the machine's base plate
Floor-mounted machines:			
5	WD300492.01	Ramp	
6	WD23011.31	Screening plate	
7	WD23011.32	Screening plate	
Pit-mounted machines:			
8	WD38234.31	Cover plate	
9	WD38233.31	Cover plate	Single door
9	WD307754.01	Grating	Double door
10	WD303501.01	Cover plate	
11	WD38240.01	Cover plate	
12	WD38238.01	Cover plate	
13	WD38244.01	Cover plate	
14	WD38247.01	Cover plate	
15	WD307754.01	Grating	

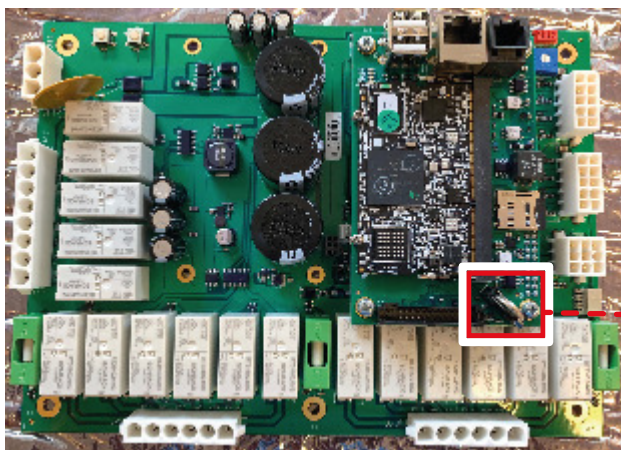
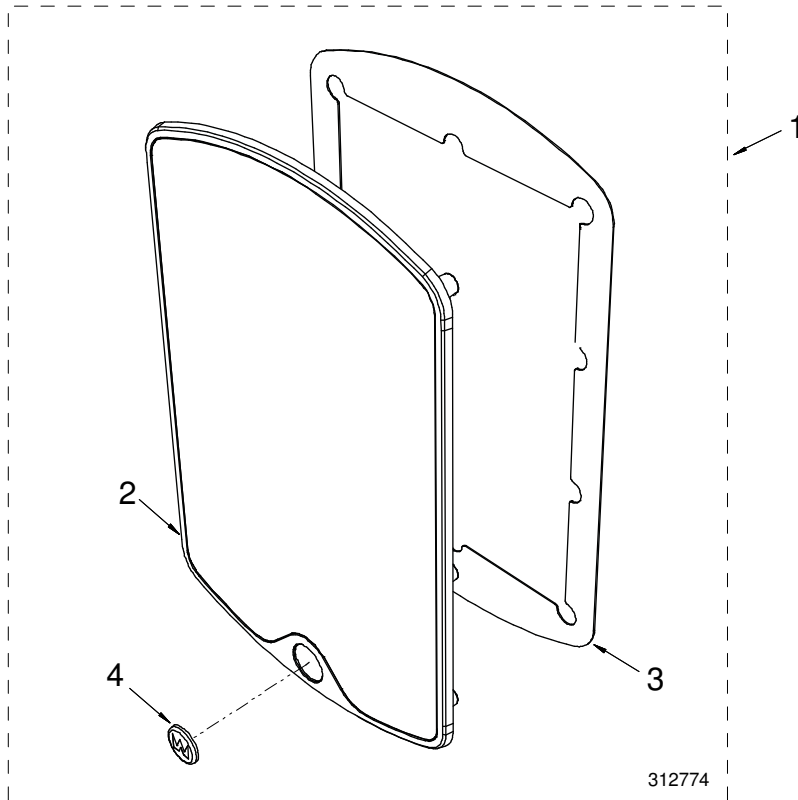
1.5 Electrical Cabinets



Spare parts

Electrical cabinets			
Item	WD no.	Description	Comment
1	WD792.0201	Lock	
2	WD792.0211	Key	
3	WD719.0520	Sealing strip	L=4500mm
4	WD10194.31	Mounting plate	
5	WD52569021	Filter	
6		Fan	See the machine's wiring diagram
7		Display	See the machine's wiring diagram and dedicated section
8		ON/OFF button	See the machine's wiring diagram
9		Emergency stop	See the machine's wiring diagram
10	WD724.0503	Document pocket	
11		Switch disconnecter	See the machine's wiring diagram

1.6 Display and electronic card



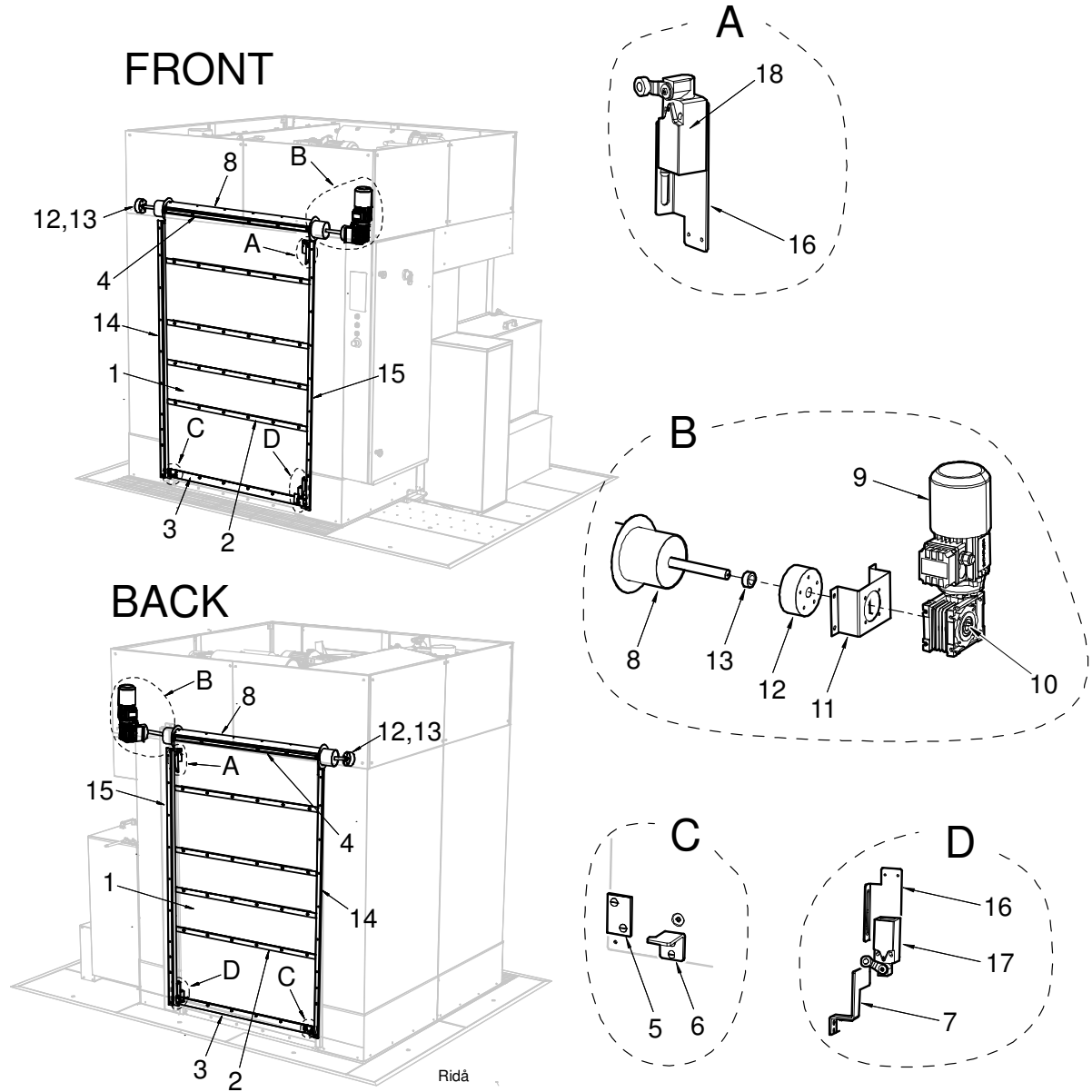
Elskáp_90GRt

Display and electronic card			
Item	WD no.	Description	Comment
	WD742.7036	Spare part display	
1	WD312744.01	* Display module, cpl	
2		** Display panel	See the machine's wiring diagram
3	WD309834.31	** Gasket	
4	WD400936.31	* Domed sticker	
	WD700.0717	* Screw	
A		Battery	See the machine's wiring diagram

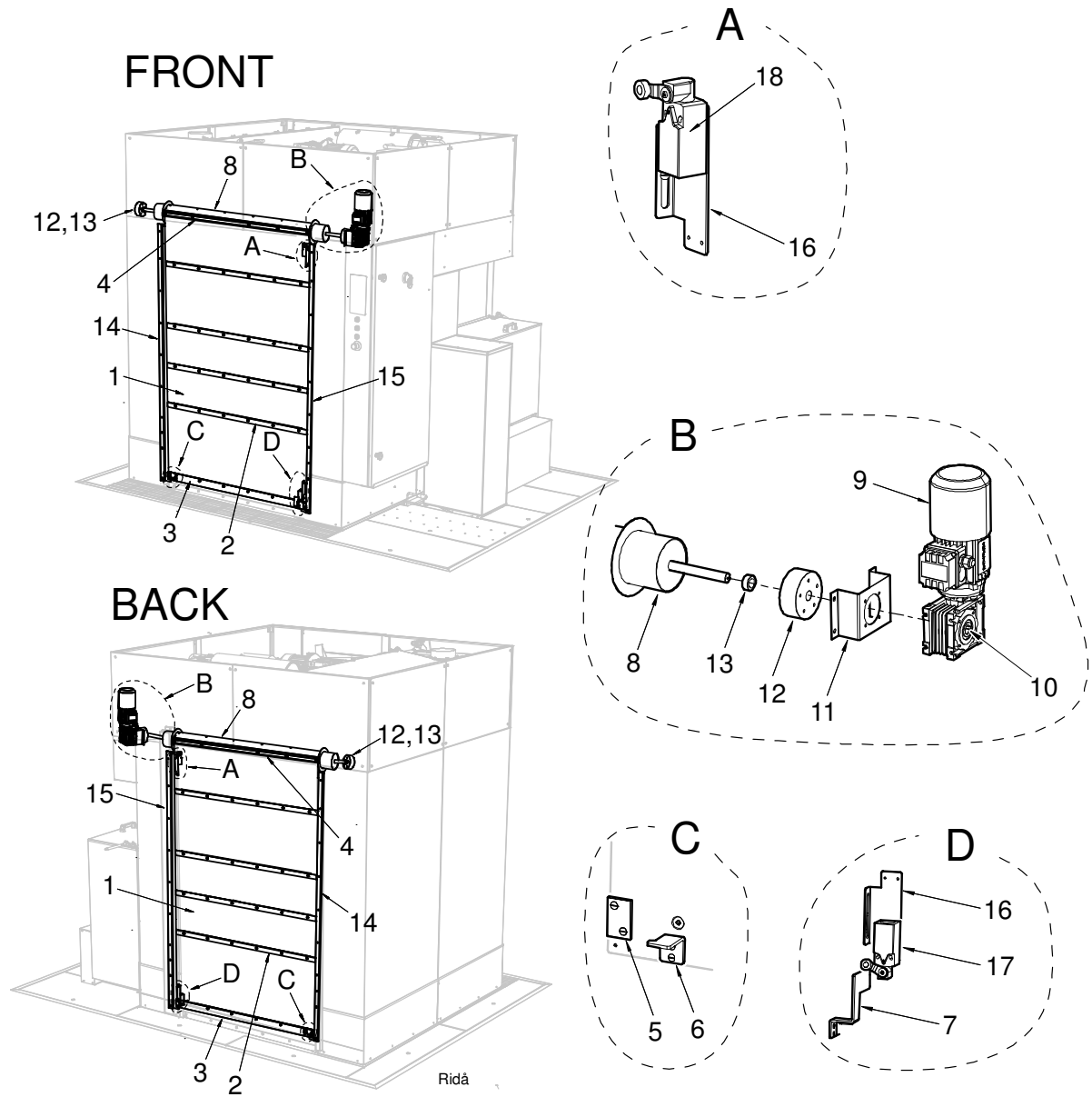


NOTE! For electronic components, see the machine's wiring diagram

1.7 Curtain(s) with driving, single and double doors

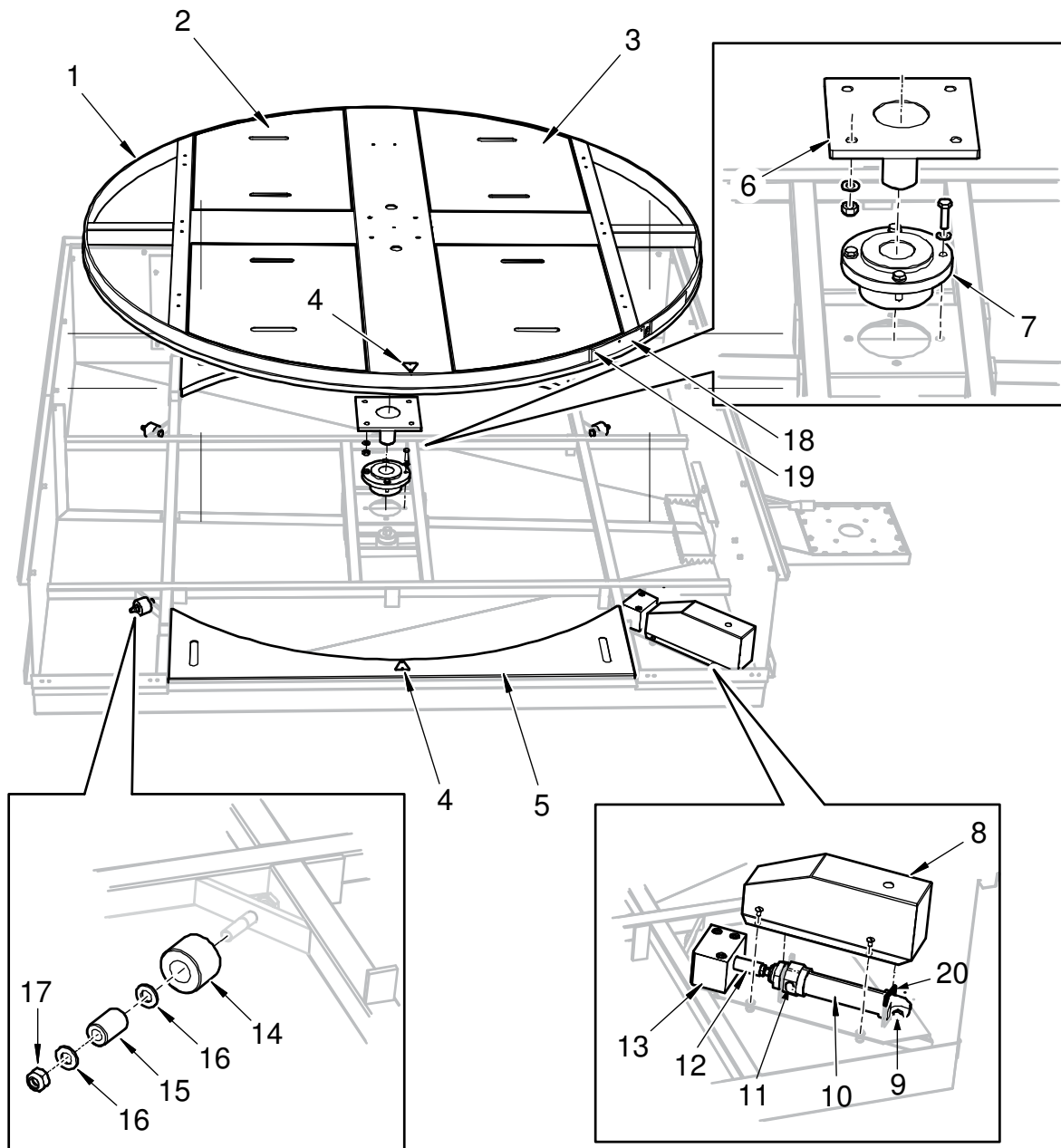


Curtain(s) with driving, single and double doors			
Item	WD no.	Description	Comment
	WD303624.75	Door leaf, roller door cpl	Infeed
1	WD305277.75	* Slat	
2	WD303621.31	* Clamp strip, outside	
2	WD303622.31	* Clamp strip, inside	
3	WD303623.31	* Weight, outside	
3	WD303622.31	* Clamp strip, inside	
4	WD35739.31	* Clamp strip	
5	WD46384.32	* Slide rail	
6	WD46785.31	* Stop angle	
7	WD46336.31	* Breaker arm	
	WD700.3420	* Screw	
	WD700.3402	* Screw	
8	WD301905.01	Roller	
9		Worm gear motor	See the machine's wiring diagram
10	WD43151.31	Wedge	
11	WD301850.31	Bracket	
12	WD33014.31	Bearing	
13	WD04076.31	Collar	
14	WD22891.02	Guide	
15	WD22891.01	Guide	
16	WD46342.31	Bracket	
17		Limit switch	See the machine's wiring diagram
18		Limit switch	See the machine's wiring diagram



Curtain(s) with driving, single and double doors			
Item	WD no.	Description	Comment
	WD304619.75	Door leaf, roller door cpl	Feed Exit
1	WD305277.75	* Slat	
2	WD303621.31	* Clamp strip, outside	
2	WD303622.31	* Clamp strip, inside	
3	WD303623.31	* Weight, outside	
3	WD303622.31	* Clamp strip, inside	
4	WD35739.31	* Clamp strip	
5	WD46384.32	* Slide rail	
6	WD46785.32	* Stop angle	
7	WD46336.32	* Breaker arm	
	WD700.3420	* Screw	
	WD700.3402	* Screw	
8	WD301905.01	Roller	
9		Worm gear motor	See the machine's wiring diagram
10	WD43151.31	Wedge	
11	WD301850.31	Bracket	
12	WD33014.31	Bearing	
13	WD04076.31	Collar	
14	WD22891.02	Guide	
15	WD22891.01	Guide	
16	WD46342.31	Bracket	
17		Limit switch	See the machine's wiring diagram
18		Limit switch	See the machine's wiring diagram

1.8 Rotating table

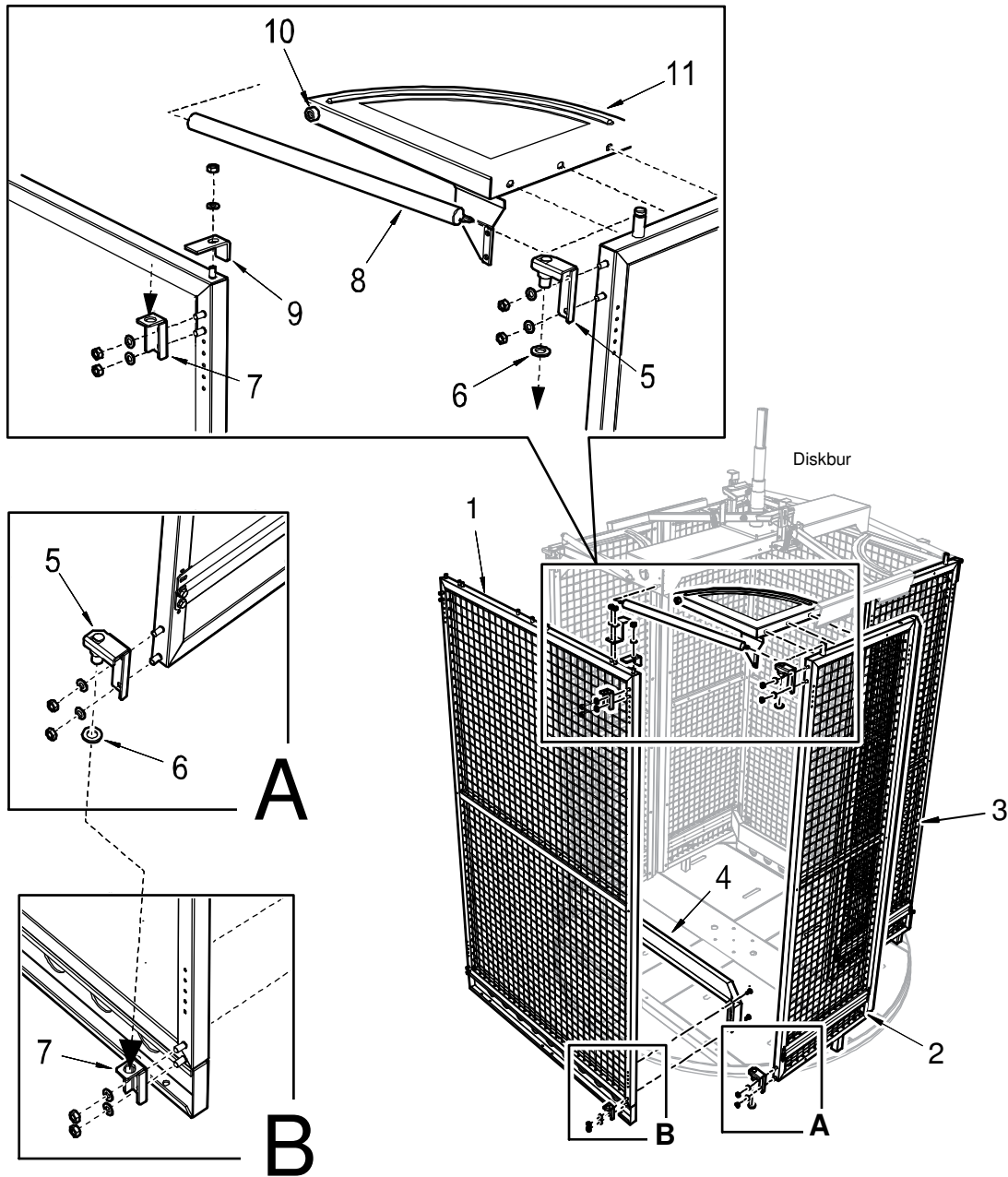


307916_R2

Spare parts

Rotating table			
Item	WD no.	Description	Comment
	WD27598.75	Rotating table, cpl	
1	WD27599.01	* Frame	
2	WD24957.01	* Floor plate, right	
3	WD24961.01	* Floor plate, left	
4	WD43148.31	Position marking	
5	WD27600.01	Sill plate	
6	WD35690.01	Shaft	
7	WD43027.31	Plain bearing	
8	WD23047.31	Protective cover	
9	WD737.0635 WD737.0155	Angle connection Reducer nipple	
10	WD737.0104	Pneumatic cylinder	
11	WD737.0517 WD737.0155	Restrictor–non-return valve Reducer nipple	
12	WD401488.31	Piston rod extension	
13	WD43023.31	Support	
14	WD36142.32	Support roller	
15	WD36142.33	Shaft	
16	WD43141.32	Washer	
17	WD700.1406	Lock nut	
18	WD47142.31	Slide rail	
19	WD700.3420	Screw	
20	WD311707.33	Locking piece	

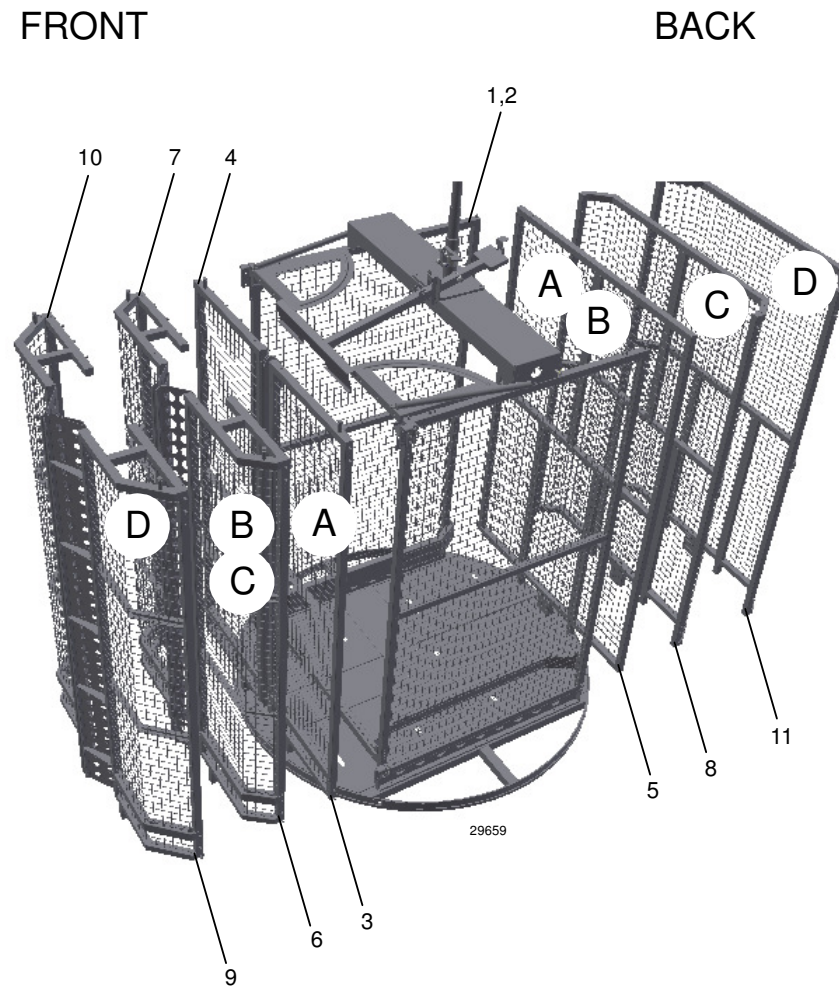
1.9 Wash cage



Spare parts

Wash cage			
Item	WD no.	Description	Comment
1	WD303638.01	Cart support, sides	
2		Gate, left-hung	
3		Gate, right-hung	
4	WD302922.31	List	
5	WD46716.01	Hinge	left-hinged door
5	WD46716.02	Hinge	right-hinged door
6	WD706.0930	Plastic washer	
7	WD46699.31	Hinge bracket	
8	WD713.0302	Tension spring	
9	WD46665.31	Locking angle	
10	WD46831.31	Stop lug	
11	WD303143.31	Ratchet disc	left-hinged door
11	WD303150.31	Ratchet disc	right-hinged door

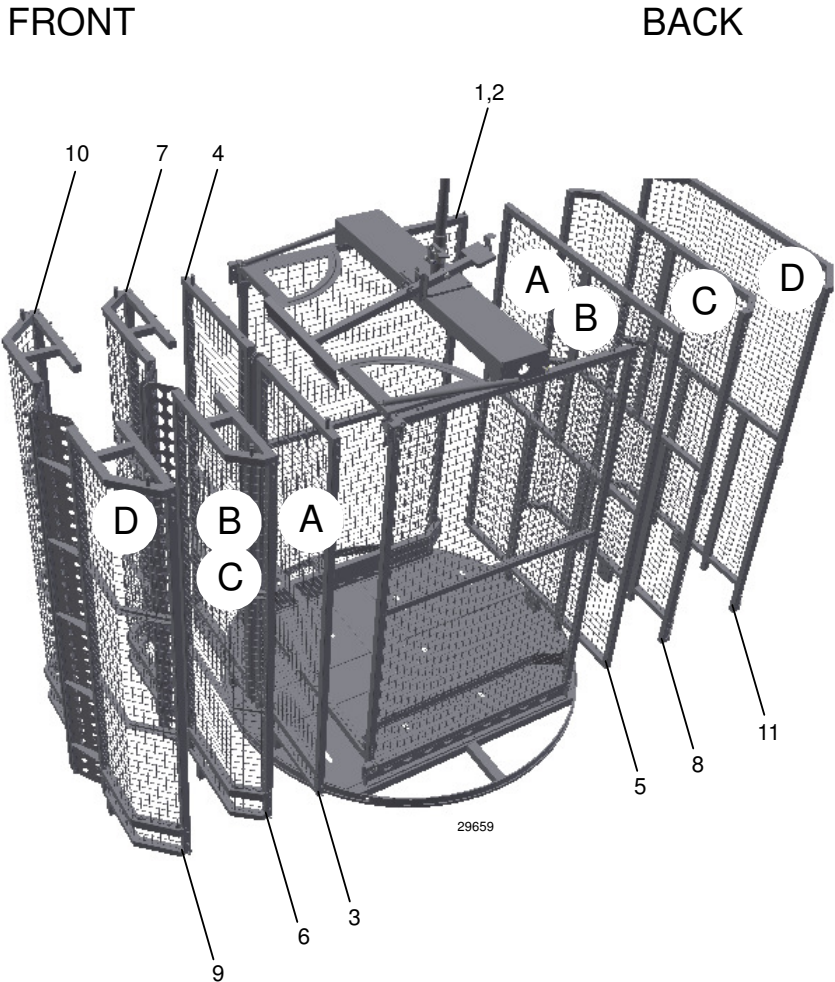
1.10 Doors, single door



Spare parts

Doors, single door			
Item	WD no.	Description	Comment
1	WD303638.01	Cart support, sides	
2	WD46976.31	Plate cart support	
A-cage			
3	WD302994.01	Gate, right-hung	
4	WD302994.02	Gate, left-hung	
5	WD303009.01	Cart support, rear	
B-cage			
5	WD303009.01	Cart support, rear	
6	WD303202.01	Gate, right-hung	
7	WD303205.01	Gate, left-hung	
C-cage			
6	WD303202.01	Gate, right-hung	
7	WD303205.01	Gate, left-hung	
8	WD303829.01	Cart support, rear	
D-cage			
9	WD307558.01	Gate, right-hung	
10	WD307558.02	Gate, left-hung	
11	WD303829.01	Cart support, rear	

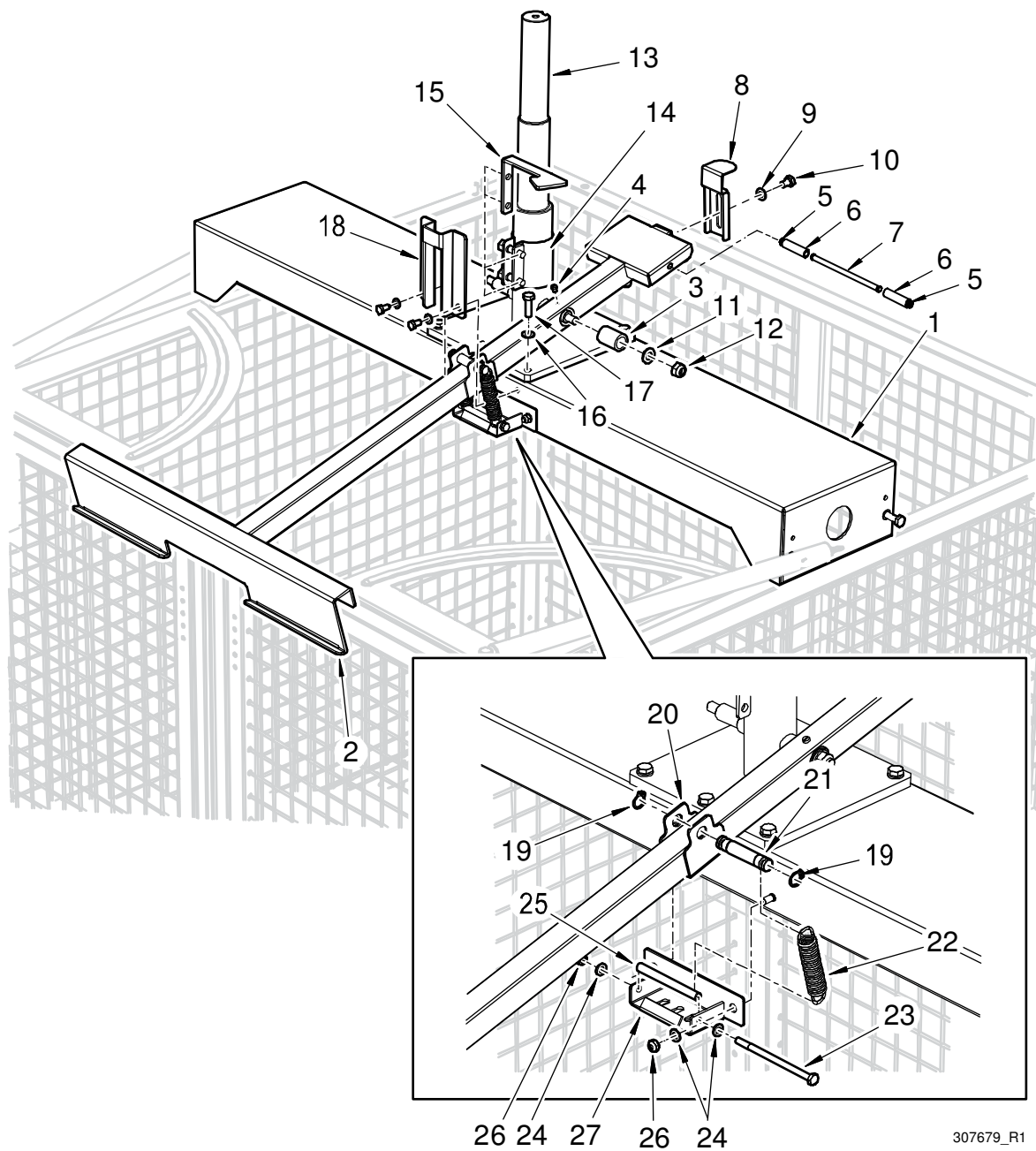
1.11 Gates, double doors



Spare parts

Gates, double doors			
Item	WD no.	Description	Comment
1	WD303638.01	Cart support, sides	
2	WD46703.31	Spring	
A-cage			
3	WD302994.01	Gate, right-hung	
4	WD302994.02	Gate, left-hung	
B-cage			
3	WD302994.01	Gate, right-hung	
4	WD302994.02	Gate, left-hung	
5	WD303202.01	Gate, right-hung	
6	WD303205.01	Gate, left-hung	
C-cage			
5	WD303202.01	Gate, right-hung	
6	WD303205.01	Gate, left-hung	
D-cage			
7	WD307558.01	Gate, right-hung	
8	WD307558.02	Gate, left-hung	

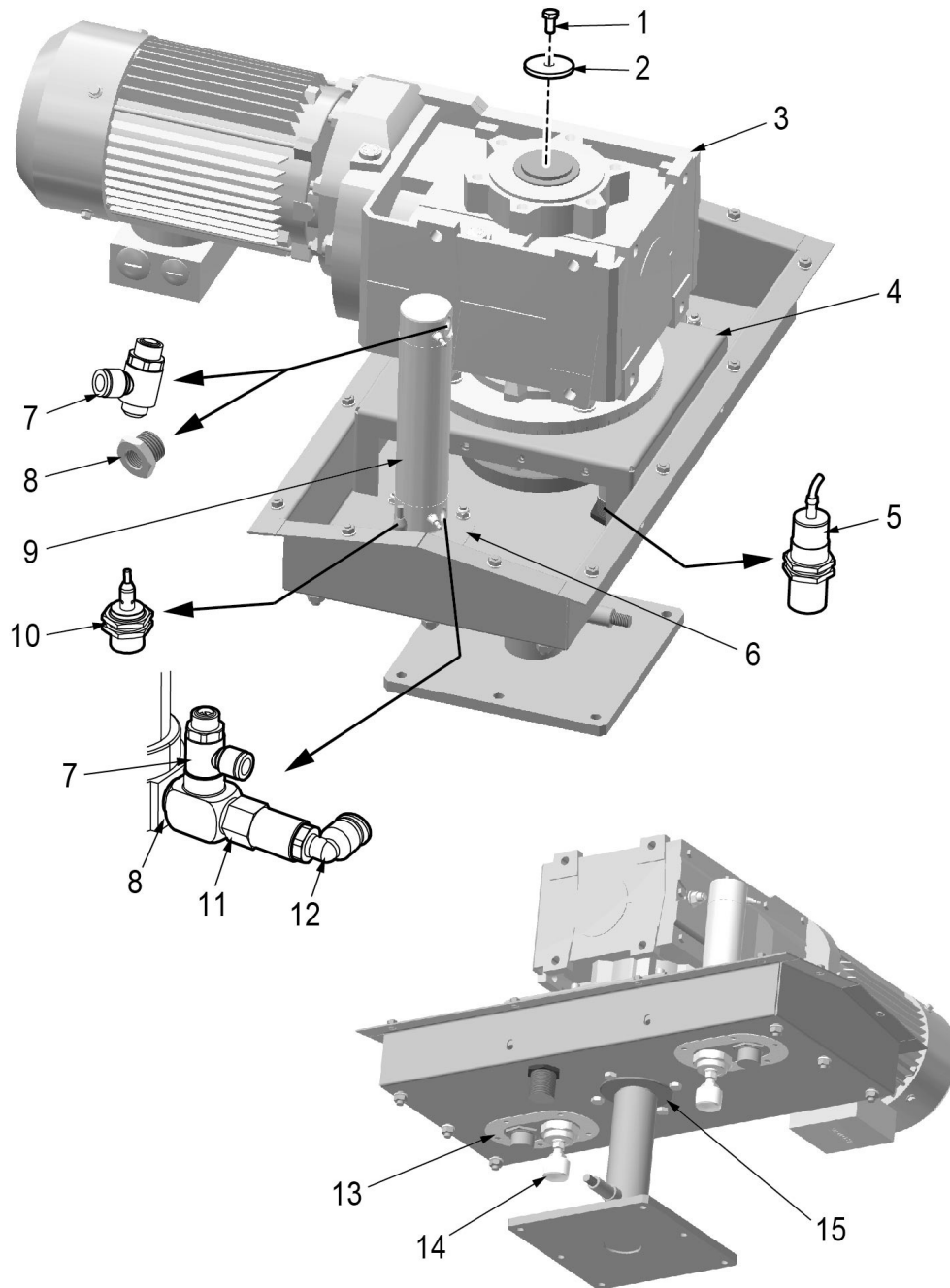
1.12 Locking device, gates



307679_R1

Locking device, gates			
Item	WD no.	Description	Comment
1	WD303541.01	Bracket	
2	WD309923.01	Locking arm, cpl	
3	WD43084.31	* Plain bearing	
4	WD700.0607	* Screw	
5	WD701.1336	* Securing ring	
6	WD400940.31	* Spacer	
7	WD400810.31	* Shaft	
8	WD47259.31	* Locking arm indicator	
9	WD700.1206	* Washer	
10	WD700.0130	* Screw	
11	WD43141.32	Washer	
12	WD700.1406	Lock nut	
13	WD303430.01	Drive shaft with bracket	
14	WD714.0122	Pipe clamp	
15	WD303432.31	Indication arm	
16	WD700.1206	Washer	
17	WD700.0135	Screw	
18	WD303003.31	Locking arm control	
19	WDACS121346	Securing ring	
20	WD401528.31	Spring mount	
21	WD400095.31	Pin	
22	WD402076.31	Tension spring	
23	WDACS122013	Screw	
24	WD700.1204	Washer	
25	WD400089.31	Spacer	
26	WD700.1404	Lock nut	
27	WD307190.31	Spring mount	

1.13 Cage driving. gate operation

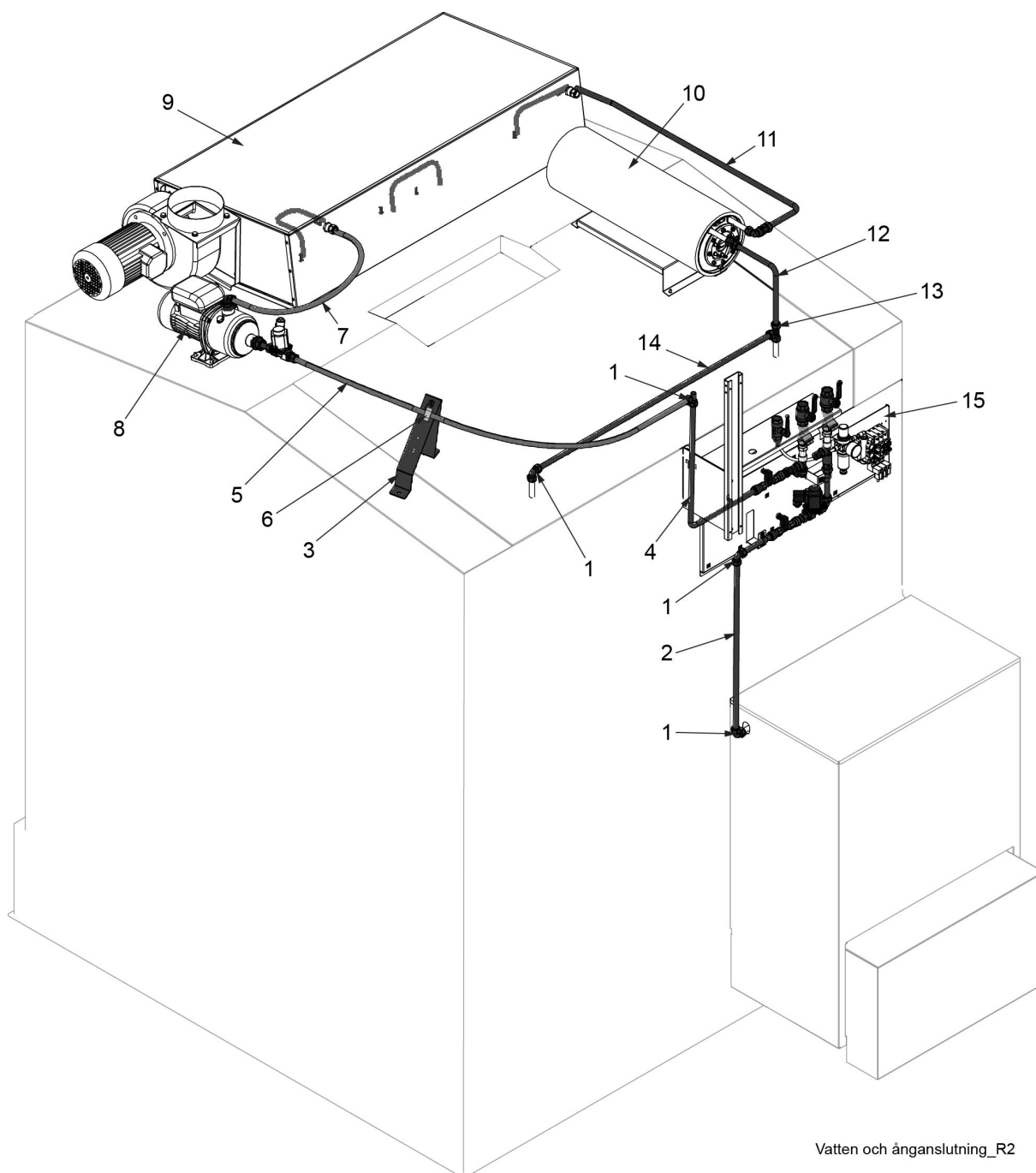


Drivning bur, manövrering grindar_R1

Spare parts

Cage driving. gate operation			
Item	WD no.	Description	Comment
1	WD700.0136	Screw	
2	WD401496.31	End washer	
3		Shaft-mounted gear motor	See the machine's wiring diagram
4	WD311658.01	Motor bracket	
5		Inductive sensor	See the machine's wiring diagram
6	WD401490.01	Bracket	
7	WD737.0517	Restrictor–non-return valve	
8	WD737.0155	Reducer nipple	
9	WD737.0104	Pneumatic cylinder	
10		Inductive sensor	See the machine's wiring diagram
11	WD737.0575	Pilot-controlled non-return valve	
12	WD737.0635	Angle connection	
13	WD401491.31	Gasket	
14	WD401489.31	Plastic cut	
15	WD43027.31	Plain bearing	

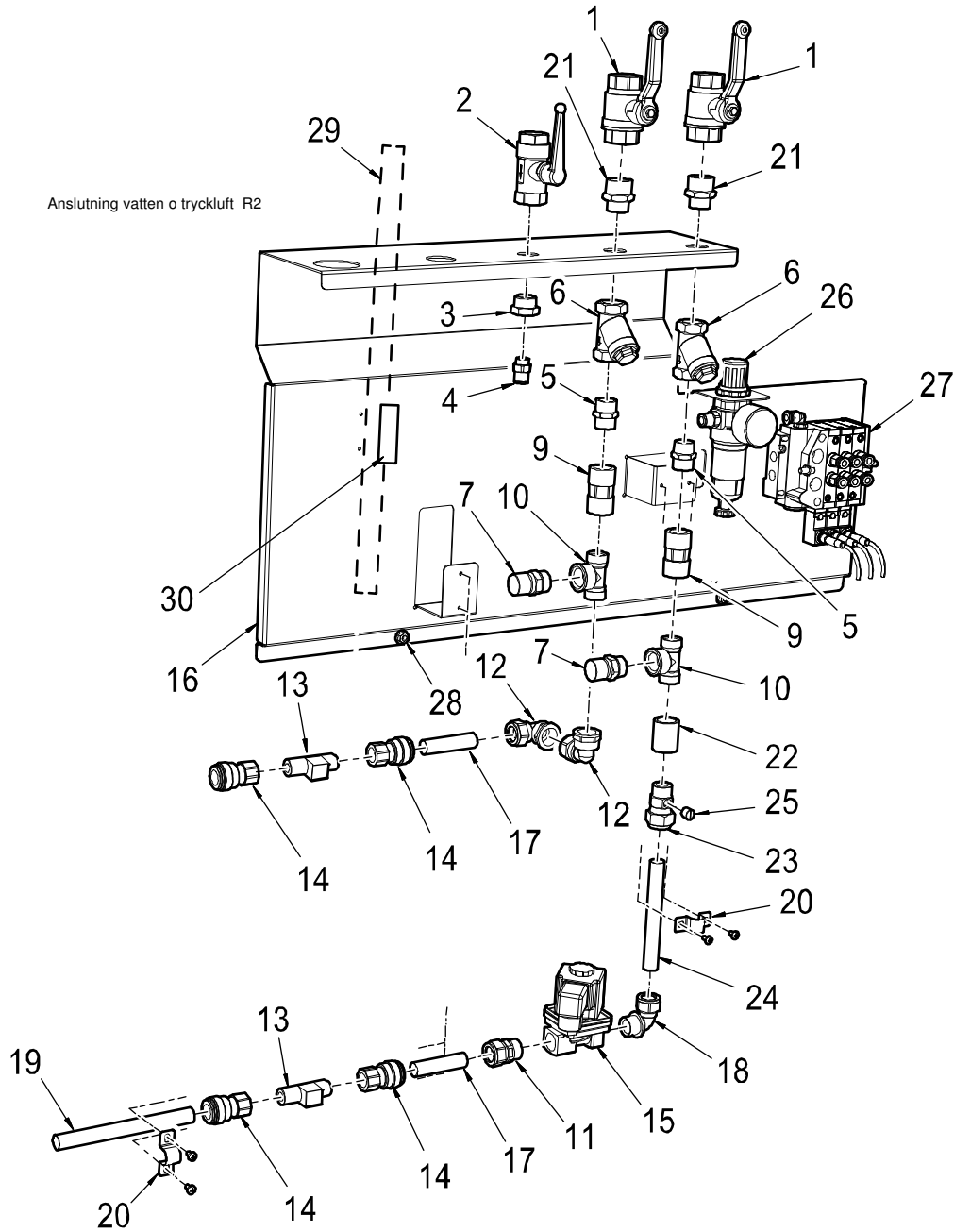
1.14 Water and steam connection



Vatten och ånganslutning_R2

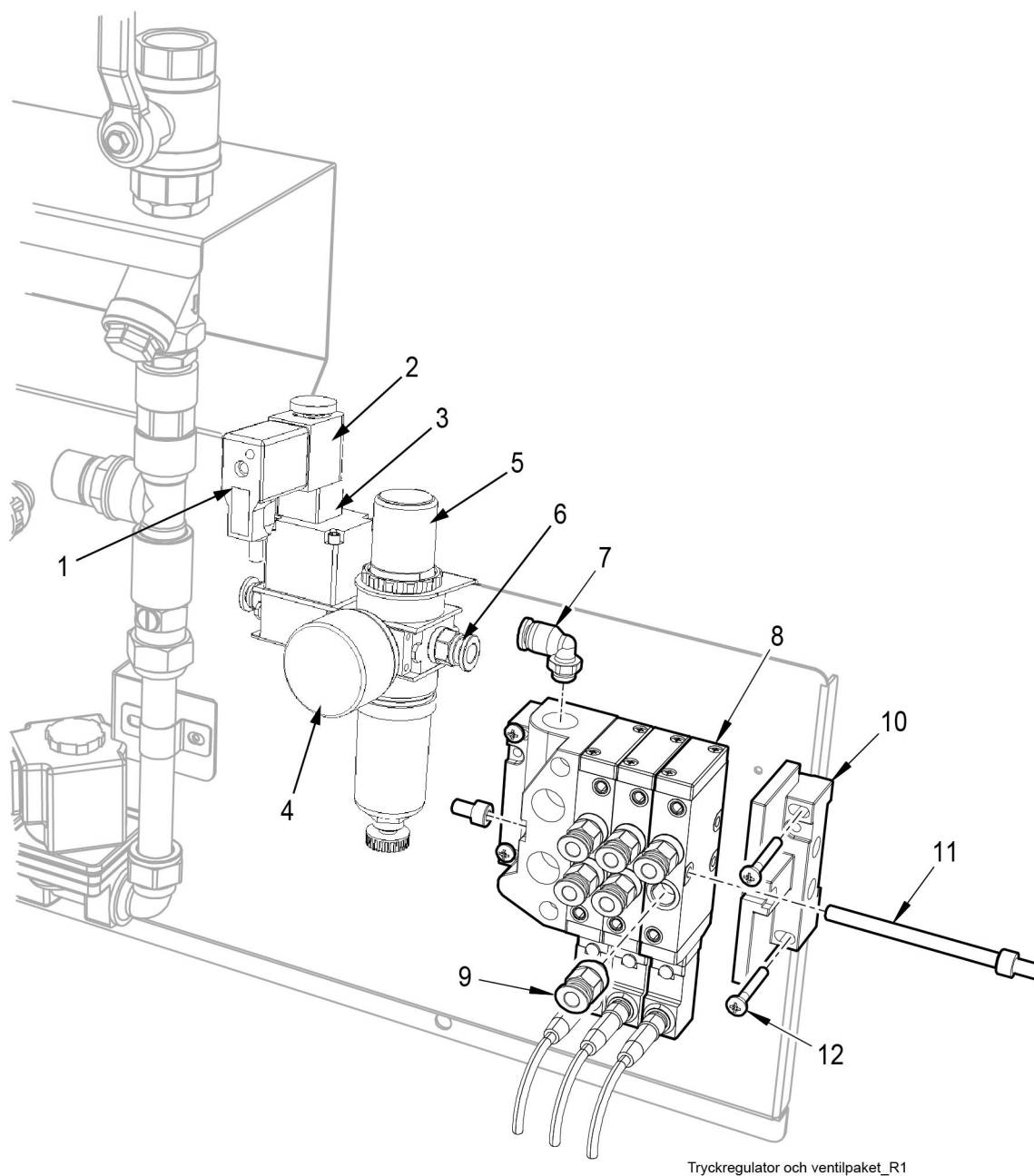
Water and steam connection			
Item	WD no.	Description	Comment
1	WD705.1205	Straight Coupling	
	WD705.0420	* Cone	
	WD705.0315	* Nut	
2	WD401421.46	Pipe	
3	WD304731.31	Bracket	
4	WD312417.31	Pipe	
5	WD918.0115	Hose	Specify length
	WD705.0104	Supporting sleeve	
6	WD714.0301	Clip	
7	WD918.0115	Hose	Specify length
	WD705.0104	Supporting sleeve	
8		Booster pump	See the machine's wiring diagram and dedicated section
9		Heat recovery unit	See also individual section
10		Booster heater	See also individual section
11	WD303099.32	Pipe	
12	WD303572.32	Pipe	
13	WD705.2205	Straight Coupling	
	WD705.0420	* Cone	
	WD705.0315	* Nut	
14	WD401421.45	Pipe	
15		Panel for connecting water, compressed air and steam	See also individual section

1.15 Connection, water and compressed air



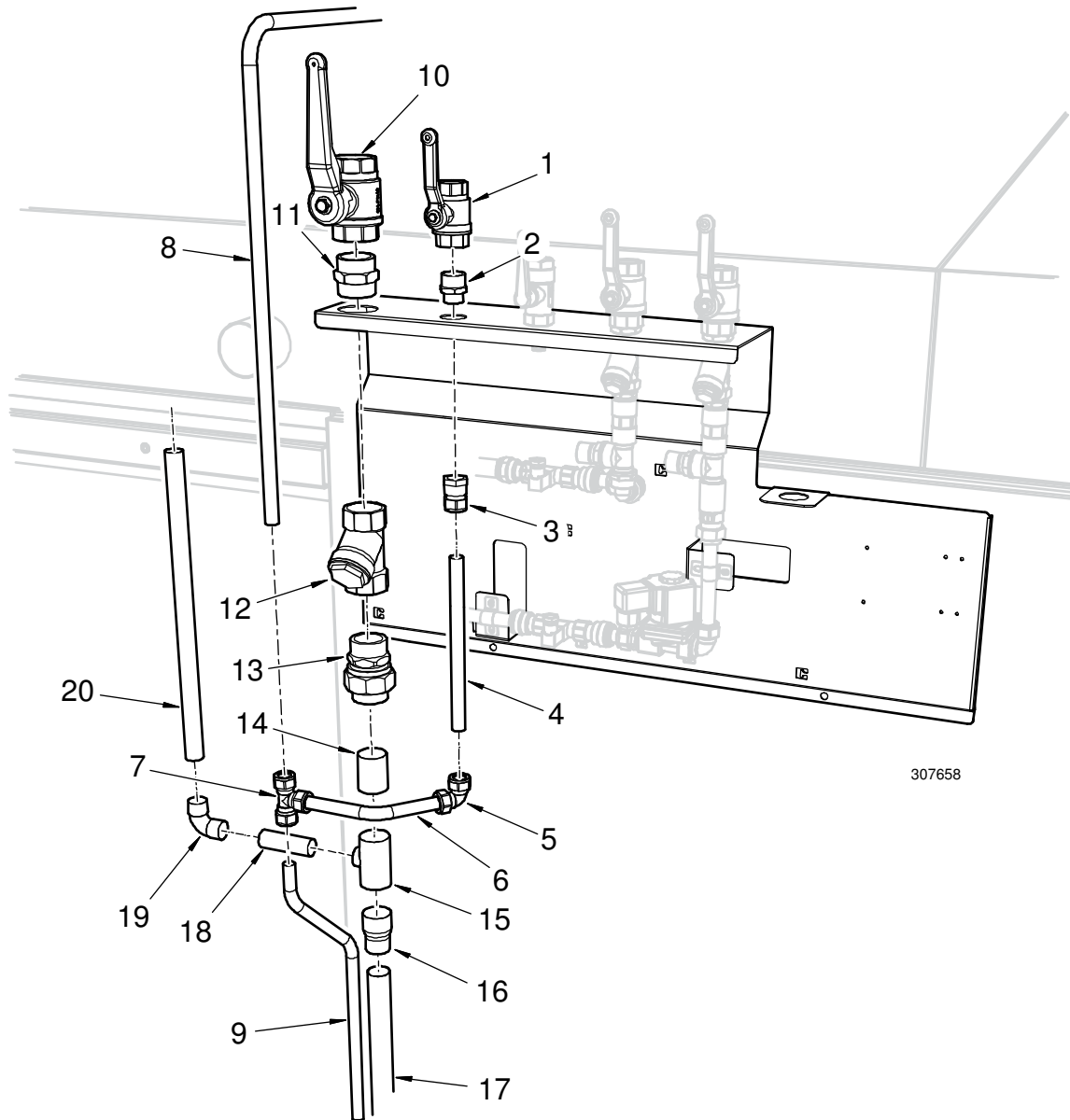
Connection, water and compressed air			
Item	WD no.	Description	Comment
1	WD709.0606	Ball valve	Water connection
2	WD737.0330	Shut-off valve	Compressed air connection
3	WD706.0306	Bushing	
4	WD737.0615	Connection nipple	
5	WD706.0803	Nipple	
6	WD709.1805	Filter	
7	WD709.1506	Vacuum valve	
9	WD709.1305	Non-return valve	
10	WD705.2408	T-pipe	
	WD705.0420	* Cone	
	WD705.0315	* Nut	
11	WD705.0915	Straight coupling	
	WD705.0315	* Cone	
	WD705.0420	* Nut	
12	WD705.1904	Elbow coupling	
	WD705.0420	* Cone	
	WD705.0315	* Nut	
13		Flow meter	See the machine's wiring diagram
14	WD709.2040	Insertion nipple	
15		Solenoid valve	See the machine's wiring diagram
16	WD304187.31	Bracket	
17	WD45754.46	Pipe	
18	WD705.1609	Elbow coupling	
	WD705.0420	* Cone	
	WD705.0315	* Nut	
19	WD45754.53	Pipe	
20	WD714.0301	Clip	
21	WD706.0810	Nipple	
22	WD706.0503	Sleeve	
23	WD04847.01	Straight Coupling	
24	WD45754.50	Pipe	
25	WD04847.32	Plug	
26		Filter regulator with pressure gauge	See separate section
27		Valve assembly	See separate section
28	WD700.2860	Flange nut	
29	WD737.0408	Hose	Specify length
30	WD51504806	Clip	

1.16 Pressure regulator and valve assembly



Pressure regulator and valve assembly			
Item	WD no.	Description	Comment
1		Valve	See the machine's wiring diagram
2		Coil	See the machine's wiring diagram
3	WD737.0583	Connector	
	WD737.0582	Bracket	
4	WD737.0321	Pressure gauge	
5	WD737.0320	Filter regulator	
6	WD737.0615	Connection nipple	
7	WD737.0635	Angle connection	
8		Solenoid valve	See the machine's wiring diagram
9	WD737.0634	Straight connection	
10	WD737.0537	End plates, set	
11	WD737.0538	Drawbar, short	Single door
11	WD737.0539	Drawbar, long	Double door
12	WD700.0615	Screw	

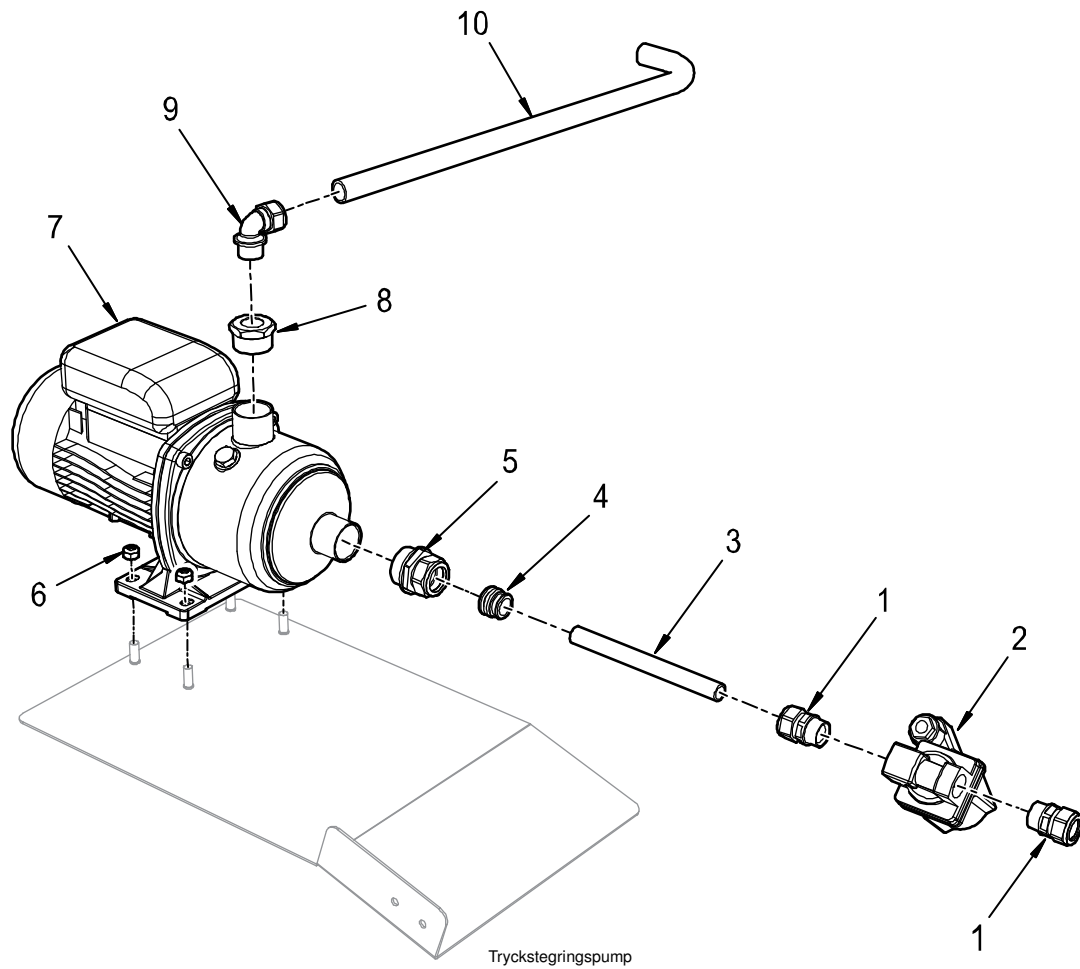
1.17 Steam connection (option)



Spare parts

Steam connection (option)			
Item	WD no.	Description	Comment
1	WD709.0606	Ball valve	
2	WD706.0810	Nipple	
3	WD705.1009	Straight coupling	
	WD705.0420	* Cone	
	WD705.0315	* Nut	
4	WD45754.49	Pipe	
5	WD705.1205	Elbow coupling	
	WD705.0420	* Cone	
	WD705.0315	* Nut	
6	WD47219.31	Connecting pipe.	
7	WD705.2205	T coupling	
	WD705.0420	* Cone	
	WD705.0315	* Nut	
8	WD303570.31	Pipe	
9	WD304365.31	Pipe	
10	WD709.0609	Ball valve	
11	WD706.0814	Hexagonal nipple	
12	WD709.1808	Filter	
13	WD704.0919	Soldering coupling	
14	WD47405.31	Pipe	
15	WD708.1077	T-pipe	
16	WD708.1426	Reducer nipple	
17	WD47310.38	Pipe	
18	WD45820.39	Pipe	
19	WD708.0607	Soldering angle	
20	WD45820.34	Pipe	

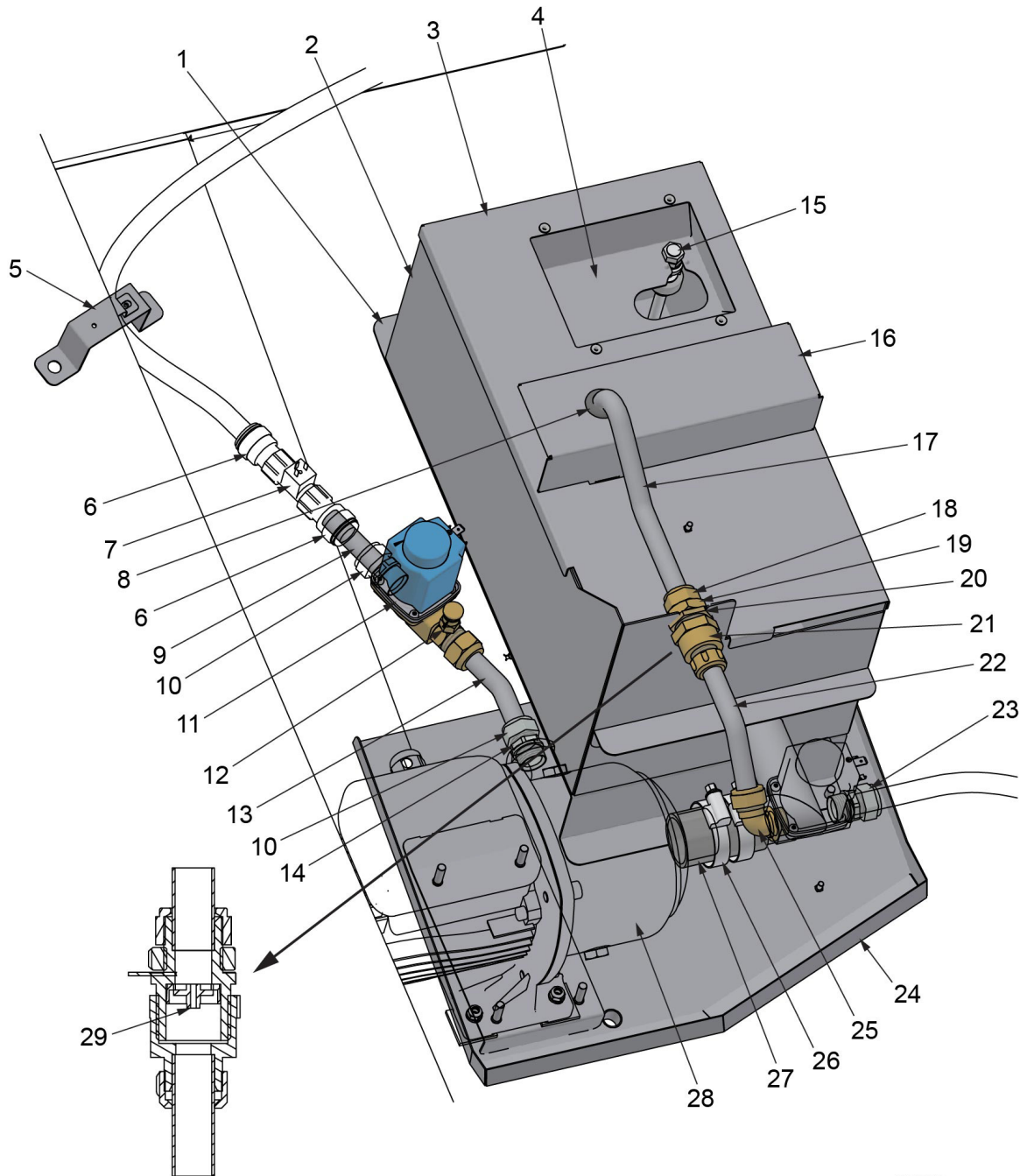
1.18 Booster pump with connections



Spare parts

Booster pump with connections			
Item	WD no.	Description	Comment
1	WD705.0915	Straight coupling	
	WD705.0420	* Cone	
	WD705.0315	* Nut	
2		Solenoid valve	See the machine's wiring diagram
3	WD45754.46	Pipe	
4	WD705.0509	Reducer cone	
5	WD705.1230	Straight coupling	
6	WD700.1405	Lock nut	
7		Booster pump	See the machine's wiring diagram and dedicated section
8	WD706.0302	Bushing	
9	WD705.1609	Elbow coupling	
10	WD918.0115	PEX pipe	Specify length
	WD705.0104	Supporting sleeve	

1.19 Break tank (option)

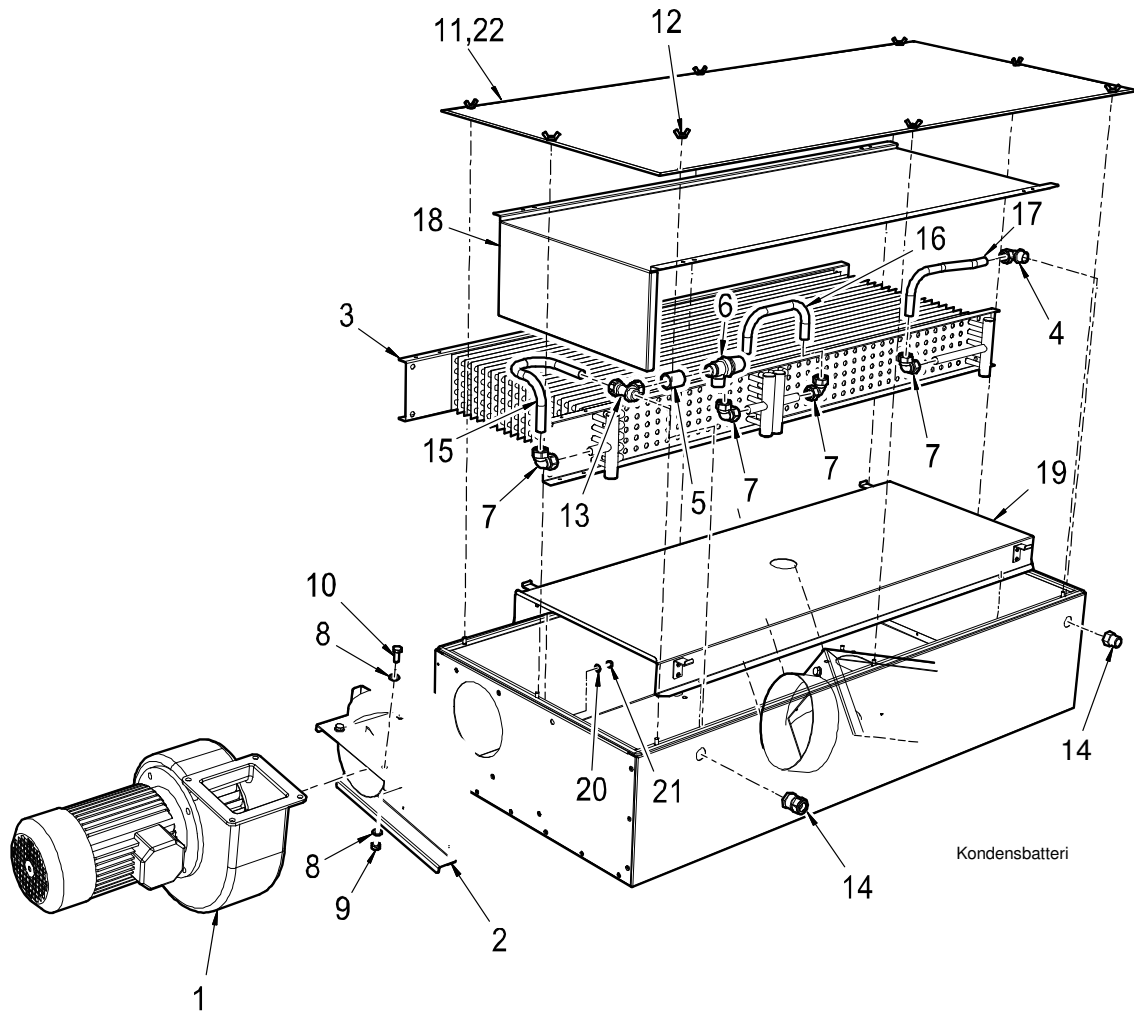


201039

Spare parts

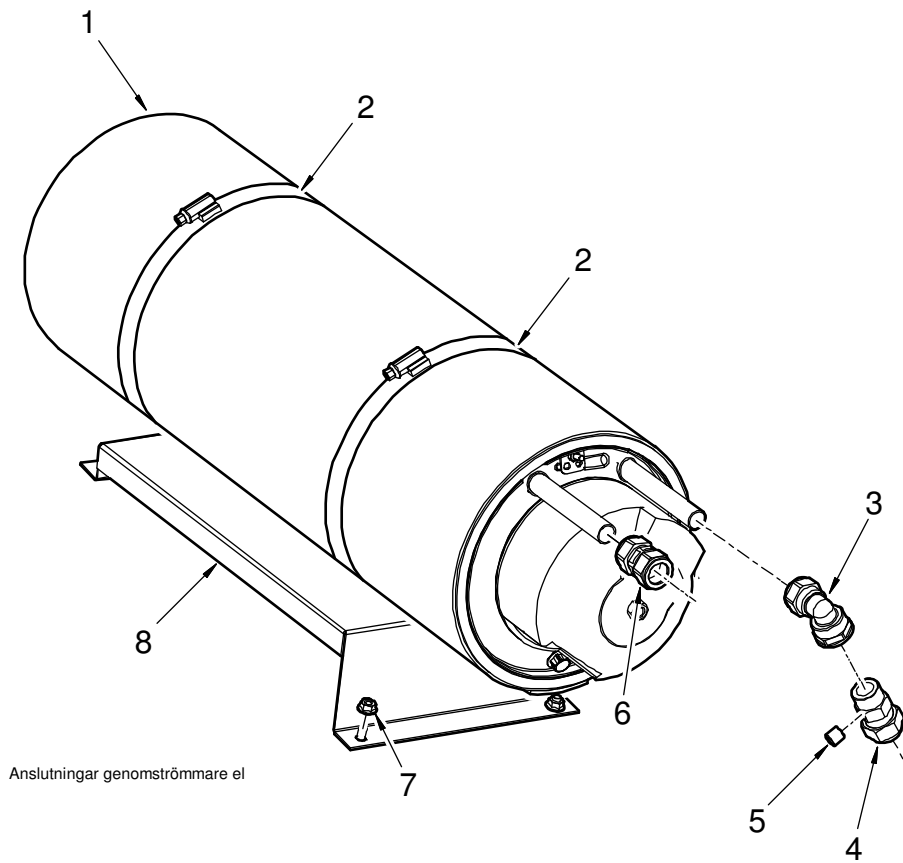
Break tank (option)			
Item	WD no.	Description	Comment
1	WD312723.31	Cover break tank	
2	WD312754.01	Break tank	
3	WD312724.31	Mast break tank	
4	WD308692.31	Bracket	
5	WD402050.31	Holder	
6	WD709.2040	Insertion nipple	
7		Flow meter	See the machine's wiring diagram
8	WD719.1219	Cable bushing	
9	WD401421.34	Pipe	
10	WD705.0912	Straight coupling	
	WD705.0420	* Cone	
	WD705.0316	* Nut	
11		Solenoid valve	See the machine's wiring diagram
12	WD706.1602	Air valve	
13			
14	WD706.0302	Bushing	
15		Level monitor	See the machine's wiring diagram
16	WD310463.31	Partition	
17	WD308108.31	Inlet pipe	
18	WD705.0315	Nut	
19	WD706.0203	Nut	
20	WD308110.01	Straight Coupling	
21	WD705.1010	Straight coupling	
	WD705.0405	* Cone	
	WD705.0205	* Nut	
22	WD401602.31	Pipe	
23	WD705.0912	Straight coupling	
	WD705.0420	* Cone	
	WD705.0316	* Nut	
	WD705.0104	Supporting sleeve	
24	WD312748.01	Drip tray	
25	WD715.1610	Elbow coupling	
	WD705.0420	* Cone	
	WD705.0315	* Nut	
26	WD714.0109	Hose clamp	
27	WD48107.31	Hose connection	
28		Booster pump	See the machine's wiring diagram and dedicated section
29	WD729.3251	Flow restrictor White	12 l/min.

1.20 Heat recovery unit



Heat recovery unit			
Item	WD no.	Description	Comment
1		Fan	See the machine's wiring diagram
2	WD301785.01	Bracket, fan	
3	WD810.0903	Heat recovery unit	
4	WD705.1609	Elbow coupling	
	WD705.0420	* Cone	
	WD705.0315	* Nut	
5	WD706.0503	Sleeve	
6	WD709.1205	Safety valve	
7	WD705.1205	Elbow coupling	
	WD705.0420	* Cone	
	WD705.0315	* Nut	
8	WD700.1206	Washer	
9	WD700.1405	Lock nut	
10	WD700.0133	Screw	
11	WD302987.31	Cover	
12	WD700.1003	Wing nut	
13	WD705.2601	Straight Coupling	
	WD705.0405	* Cone	
	WD705.0205	* Nut	
14	WD705.1009	Straight coupling	
	WD705.0420	* Cone	
	WD705.0315	* Nut	
15	WD305758.33	Hose	
16	WD305758.31	Hose	
17	WD305758.32	Hose	
18	WD303170.31	Cover	
19	WD306750.01	Air duct with brackets	
20	WD700.1204	Washer	
21	WD700.1404	Lock nut	
22	WD719.0505	Sealing strip	L=3550mm

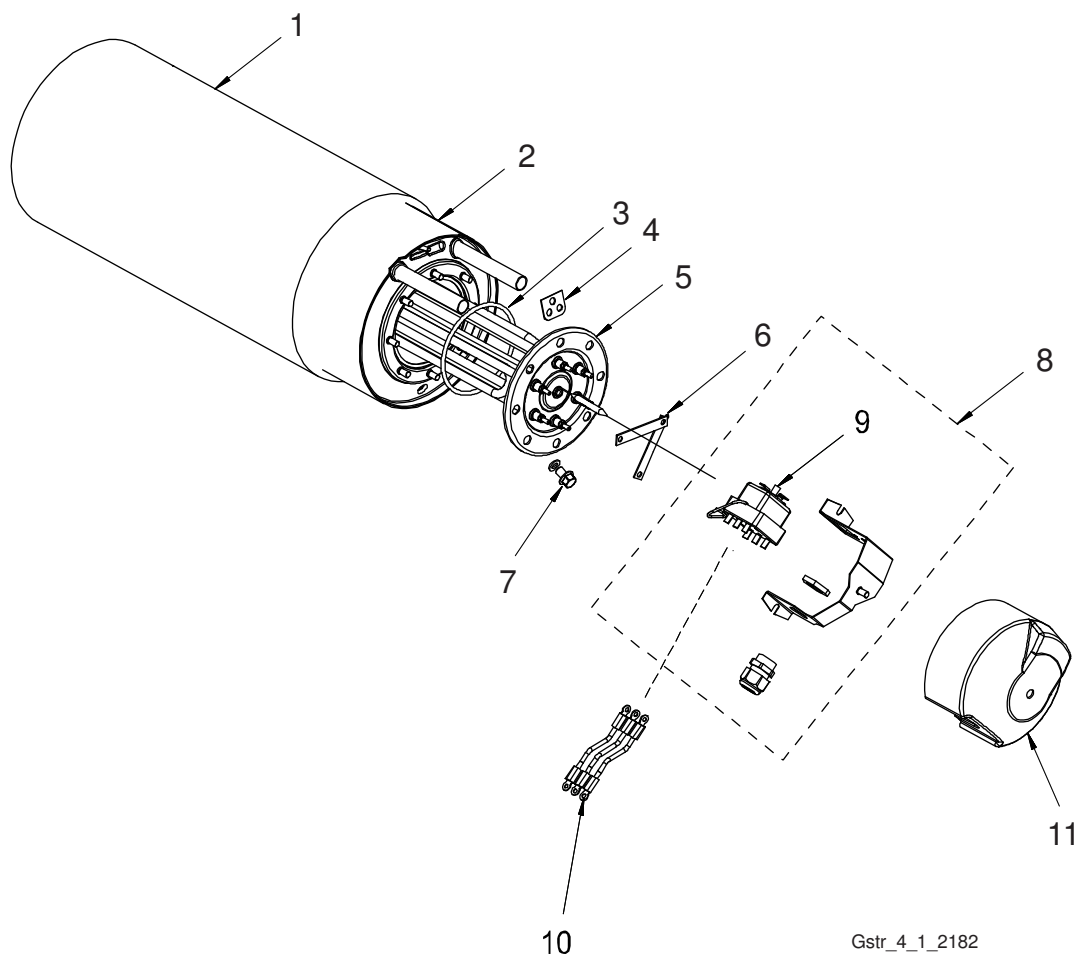
1.21 Connections, booster heater, electrically heated machines



Spare parts

Connections, booster heater, electrically heated machines			
Item	WD no.	Description	Comment
1		Booster heater	See the machine's wiring diagram
2	WD714.0119	Hose clamp	
3	WD705.1904	Elbow coupling	
	WD705.0420	* Cone	
	WD705.0315	* Nut	
4	WD04847.01	Straight Coupling	
5	WD04847.32	Plug	
6	WD705.0920	Straight Coupling	
	WD705.0420	* Cone	
	WD705.0315	* Nut	
7	WD700.2860	Flange nut	
8	WD301861.31	Bracket console	

1.22 Extended booster heater 400 V 12 kW

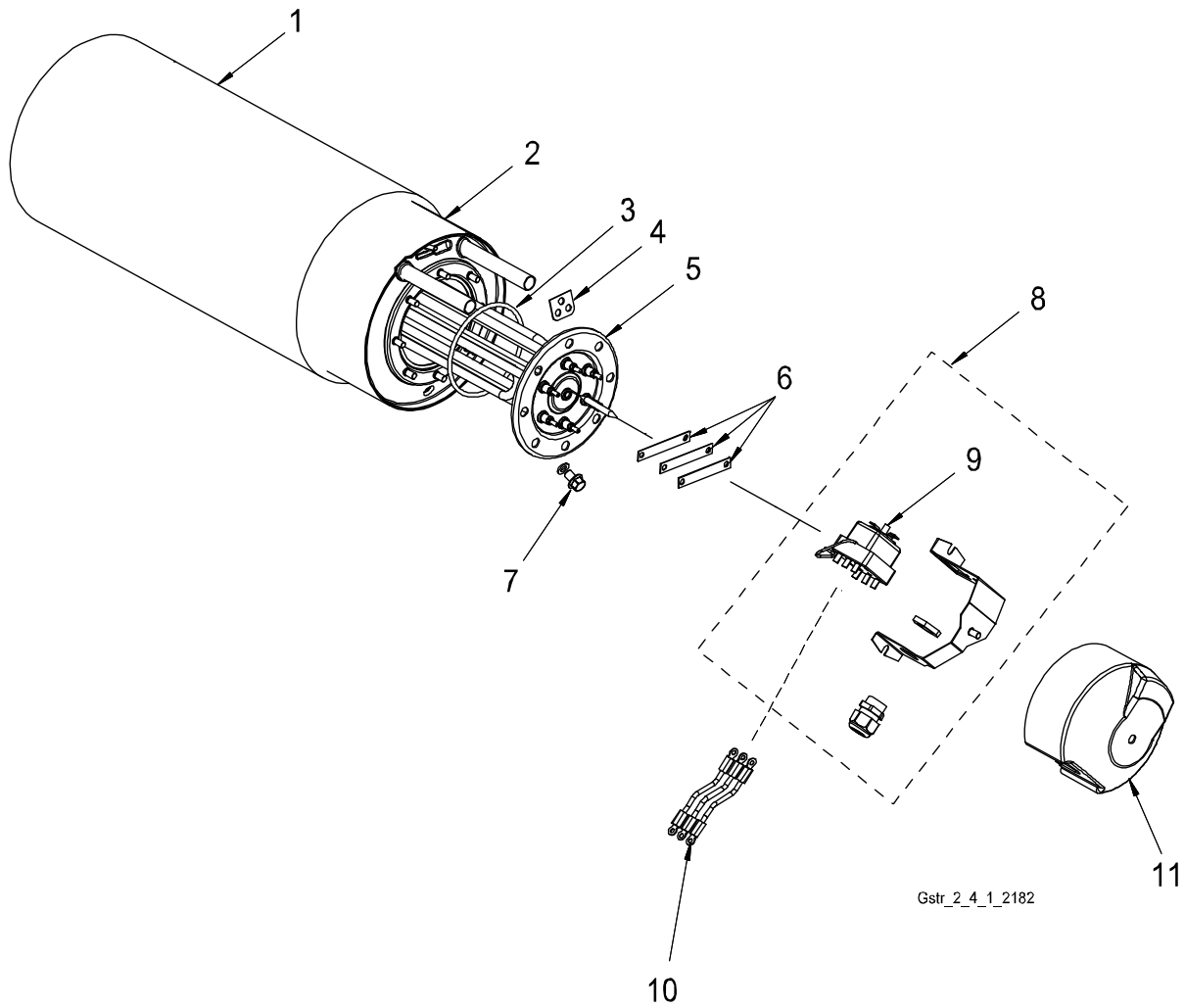


Gstr_4_1_2182

Spare parts

Extended booster heater 400 V 12 kW			
Item	WD no.	Description	Comment
	WD01163.33	Extended booster heater 400 V 12 kW	
1	WD809.0909	* Heat insulation booster heater	
2	WD01162.03	* Booster heater container	
3	WD719.1090	* O-ring	
4	WD44203.31	* Bracket, temp. sensor	
5		* Heating element	See the machine's wiring diagram
6	WD04920.31	* Copper jumper	
7	WD700.2501	* Collared screw and gasket	
8	WD302113.01	* Overheating protection device for tank-heating element (400-415V), cpl	
9		** Overheating protection device	See the machine's wiring diagram
10	WD670.8244	Connection cable	
11	WD301321.31	Protective cover	

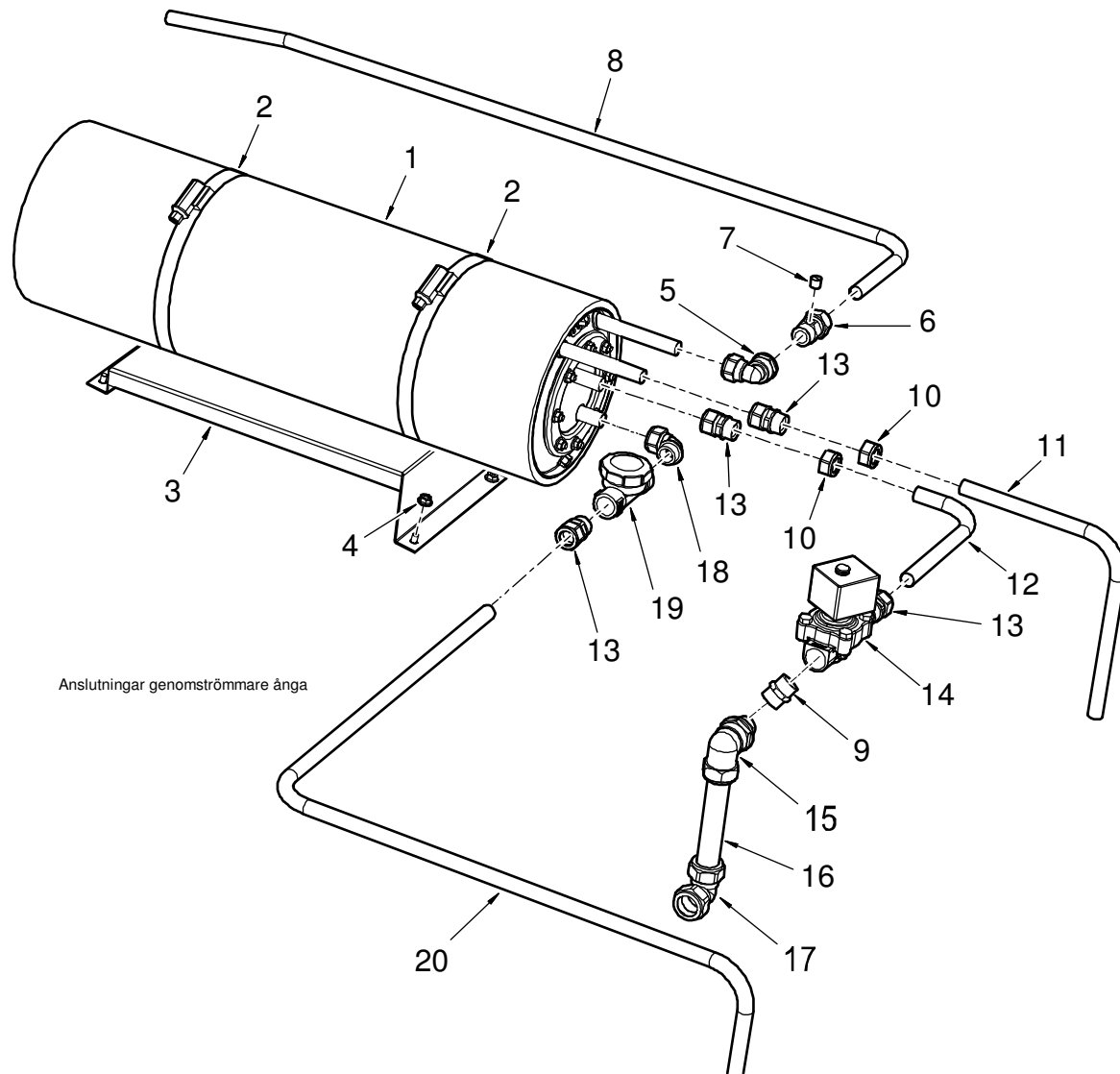
1.23 Booster heater, extended 230 V 12 kW (Option)



Spare parts

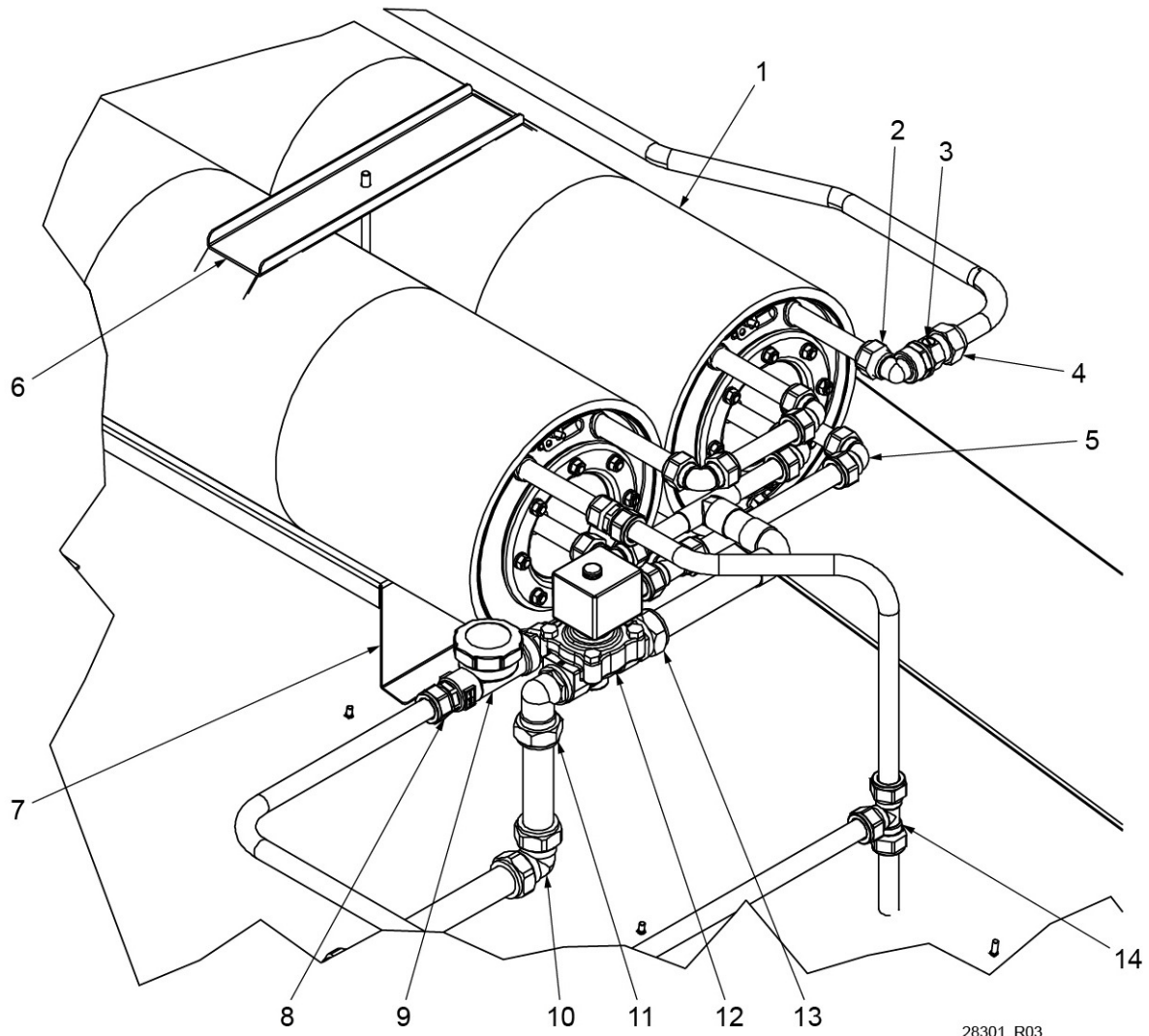
Booster heater, extended 230 V 12 kW (Option)			
Item	WD no.	Description	Comment
	WD01163.56	Booster heater extended 230 V, 12 kW	
1	WD809.0909	* Heat insulation booster heater	
2	WD01162.03	* Booster heater container	
3	WD719.1090	* O-ring	
4	WD44203.31	* Bracket, temp. sensor	
5		* Heating element	See the machine's wiring diagram
6	WD670.8245	* Jumper cord	
7	WD700.2501	* Collared screw and gasket	
8	WD302113.02	* Overheating protection device for tank-heating element (230V), cpl	
9		** Overheating protection device	See the machine's wiring diagram
10	WD670.8244	Connection cable	
11	WD301321.31	Protective cover	

1.24 Connections, booster heater, steam pressure 150-250kPa (option)



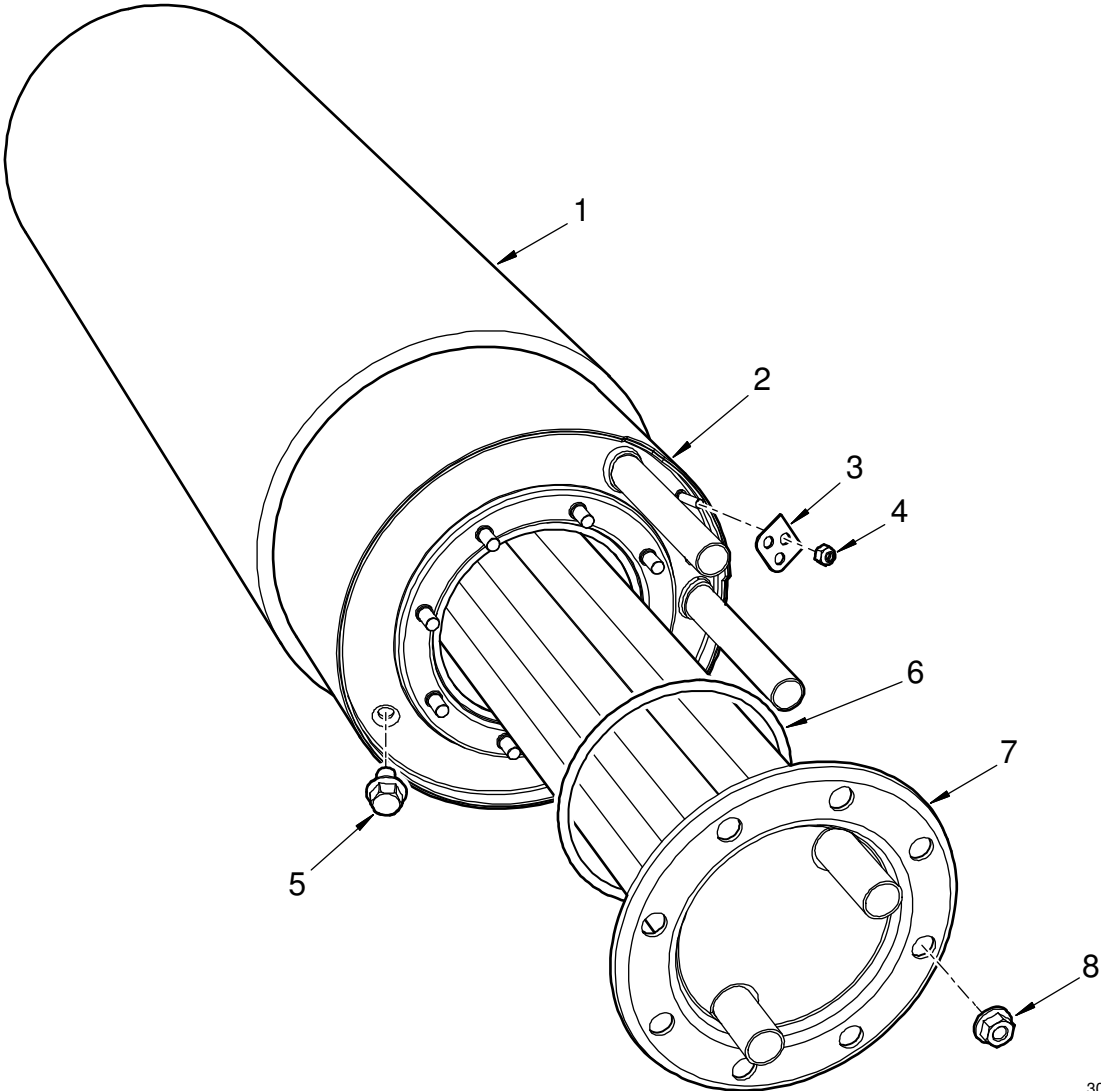
Connections, booster heater, steam pressure 150-250 kPa (option)			
Item	WD no.	Description	Comment
1		Booster heater	See also individual section
2	WD714.0119	Hose clamp	
3	WD301861.31	Bracket console	
4	WD700.2860	Flange nut	
5	WD705.1904	Elbow coupling	
	WD705.0420	* Cone	
	WD705.0315	* Nut	
6	WD04847.01	Straight Coupling	
7	WD04847.32	Plug	
8	WD303099.31	Pipe	
9	WD706.0810	Nipple	
10	WD705.0315	Nut	
11	WD303572.31	Pipe	
12	WD303747.31	Steam pipe	
13	WD705.0914	Straight coupling	
	WD705.0420	* Cone	
	WD705.0315	* Nut	
14		Solenoid valve	See the machine's wiring diagram
15	WD705.1909	Elbow coupling	
	WD705.0407	* Cone	
	WD705.0207	* Nut	
16	WD45820.37	Pipe	
17	WD705.1207	Elbow coupling	
18	WD705.1610	Elbow coupling	
	WD705.0420	* Cone	
	WD705.0315	* Nut	
19	WD709.1766	Steam trap	
20	WD303570.31	Pipe	

1.25 Connections, booster heater, steam pressure 50-140kPa (option)



Connections, booster heater, steam pressure 50-140 kPa (option)			
Item	WD no.	Description	Comment
1		Booster heater	See also individual section
2	WD705.1904	Elbow coupling	
	WD705.0420	* Cone	
	WD705.0315	* Nut	
3	WD04847.32	Plug	
4	WD04847.01	Straight Coupling	
5	WD705.1610	Elbow coupling	
	WD705.0420	* Cone	
	WD705.0315	* Nut	
6	WD303118.31	Holder	
7	WD308945.31	Stand	
8	WD705.0914	Straight coupling	
	WD705.0420	* Cone	
	WD705.0315	* Nut	
9	WD709.1766	Steam trap	
10	WD705.1207	Elbow coupling	
	WD705.0323	* Cone	
	WD705.0322	* Nut	
11	WD705.1612	Elbow coupling	
	WD705.0323	* Cone	
	WD705.0322	* Nut	
12		Solenoid valve	See the machine's wiring diagram
13	WD705.0917	Straight coupling	
	WD705.0415	* Cone	
	WD705.0215	* Nut	
14	WD705.2205	Straight Coupling	
	WD705.0420	* Cone	
	WD705.0315	* Nut	

1.26 Booster heater steam-heated (option)



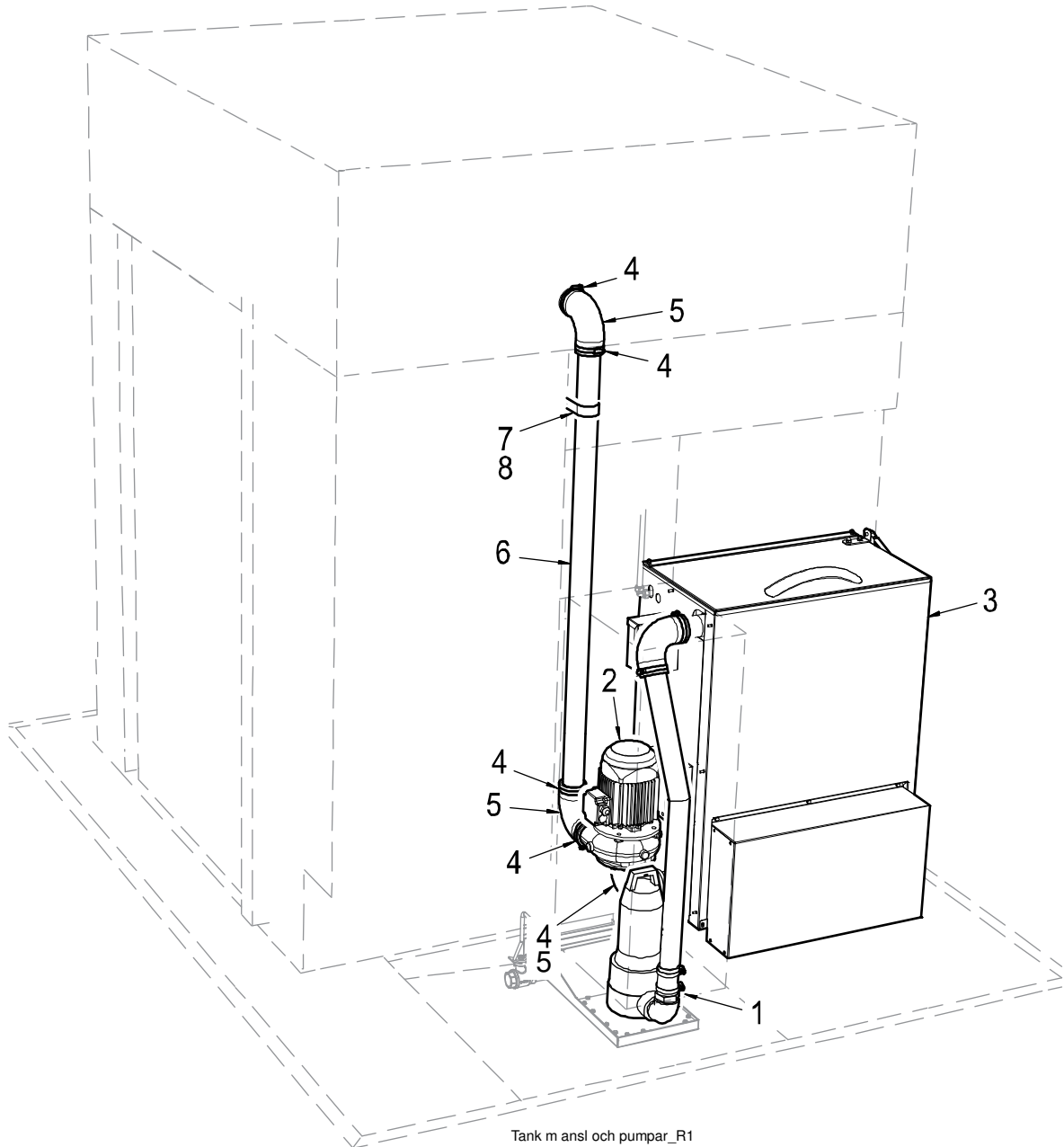
307659

Spare parts

Booster heater, steam-heated, steam pressure 150-250 kPa (option)			
Item	WD no.	Description	Comment
	WD01163.12	Booster heater	
1	WD809.0909	* Insulation	
2	WD01162.03	* Container	
3	WD44203.31	* Bracket, temp. sensor	
4	WD700.1603	* Lock nut	
5	WD700.2501	* Flange screw with washer	
6	WD719.1090	* O-ring	
7	WD30879.01	* Steam coil	
8	WD700.2860	* Nut	

Booster heater, steam-heated, steam pressure 50-140kPa (option)			
Item	WD no.	Description	Comment
	WD01163.44	Booster heater	2 pcs. is standard
1	WD809.0909	* Insulation	
2	WD01162.03	* Container	
3	WD44203.31	* Bracket, temp. sensor	
4	WD700.1603	* Lock nut	
5	WD700.2501	* Flange screw with washer	
6	WD719.1090	* O-ring	
7	WD30879.02	* Steam coil	
8	WD700.2860	* Nut	

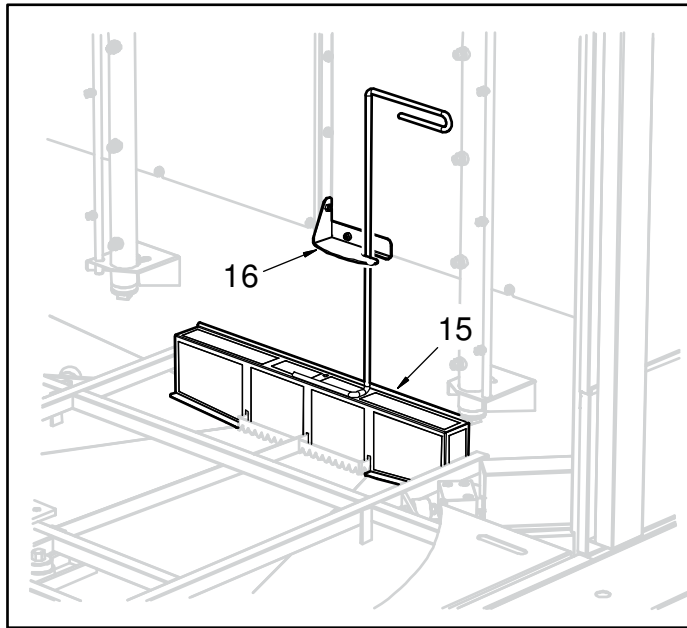
1.27 Tank with connections and pumps



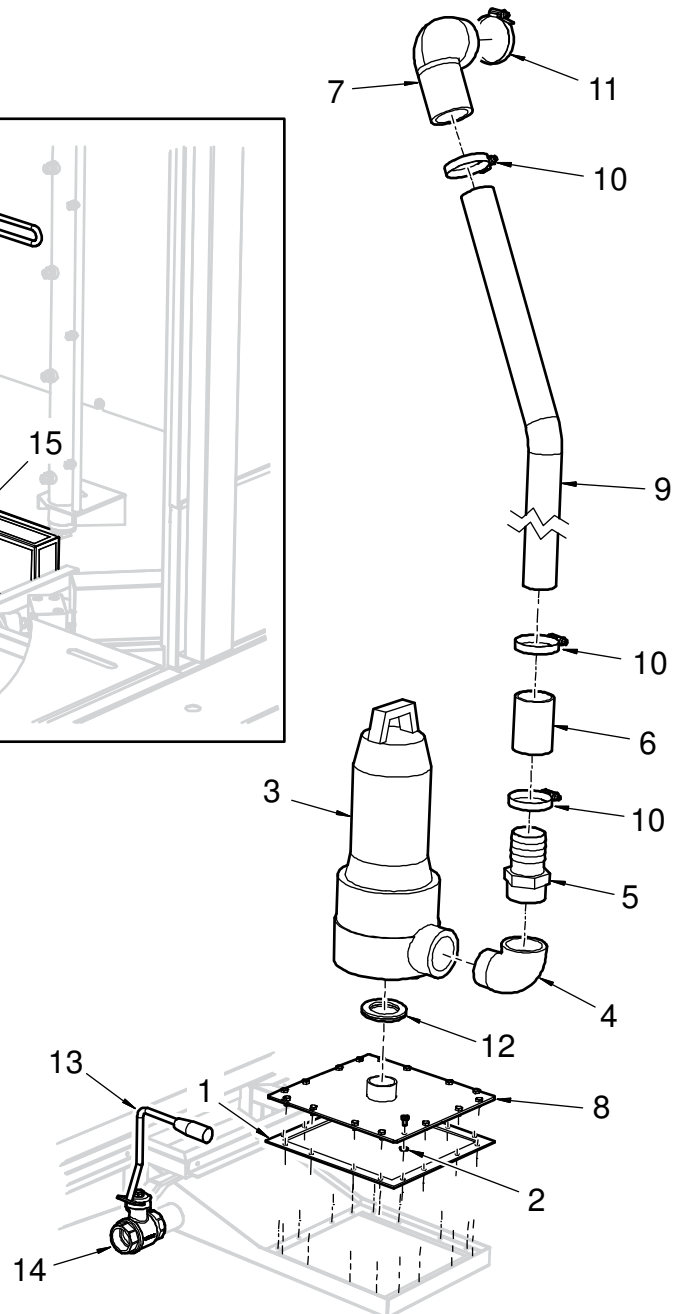
Spare parts

Tank with connections and pumps			
Item	WD no.	Description	Comment
1		Return pump with connection	See separate section
2		Washing pump	See the machine's wiring diagram
3		Tank	See separate section
4	WD714.0112	Hose clamp	
5	WD42724.31	Rubber bend	
6	WD35886.31	Inlet pipe	
7	WD36947.31	Pipe clamp	
8	WD700.2860	Nut	

1.28 Return pump with connections and strainer

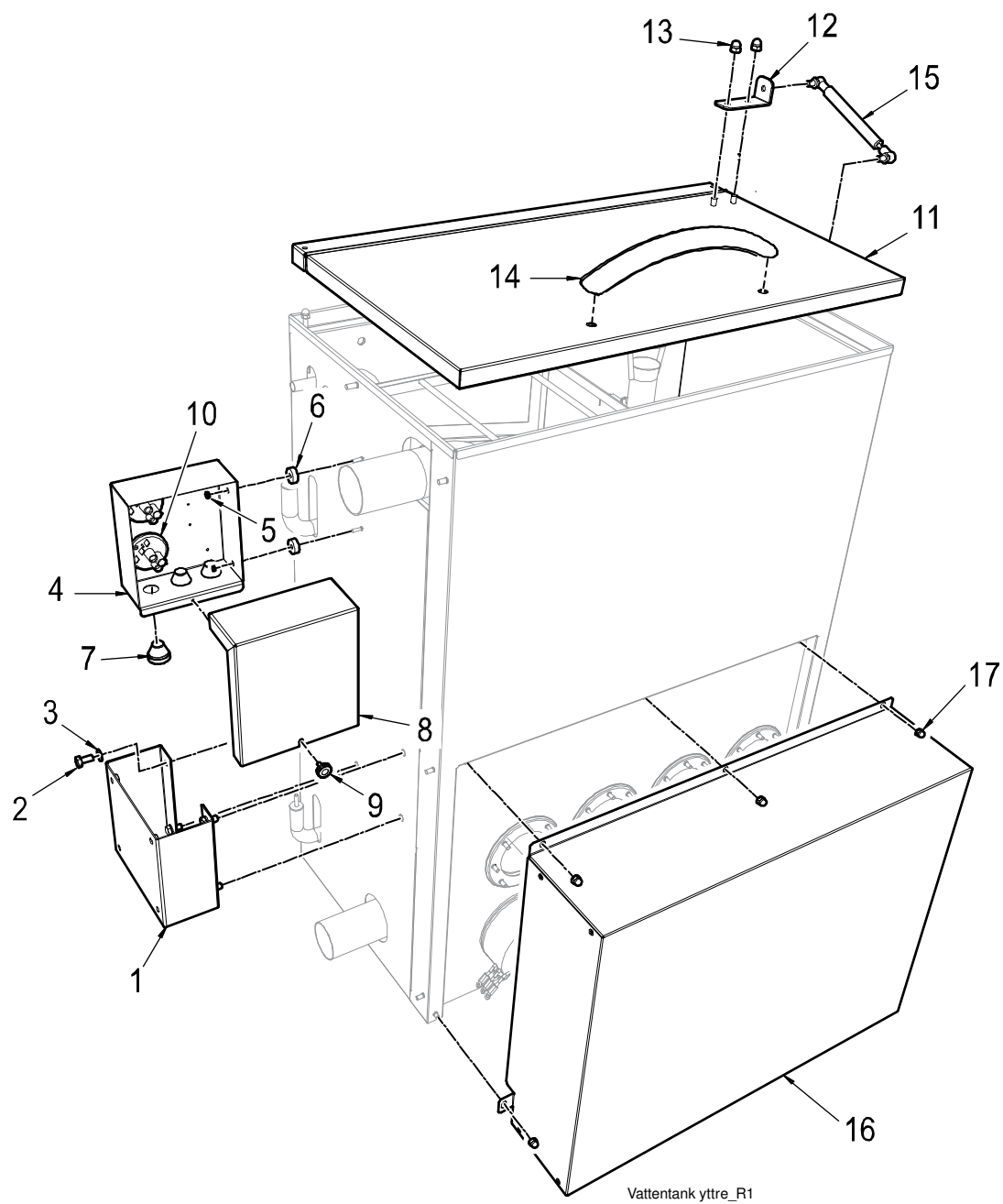


Returpump med anslutningar och sil_R1



Return pump with connections and strainer			
Item	WD no.	Description	Comment
1	WD35798.31	Rubber gasket	
2	WD700.2865	Screw	
3		Return pump	See the machine's wiring diagram
4	WD720.2223	Threaded bend	
5	WD720.2080	Hose nipple	
6	WD717.0150	Radiator hose	L=80mm
7	WD36364.31	Pump connection	
8	WD306681.01	Pump flange	
9	WD306695.31	Pipe	
10	WD714.0111	Hose clamp	
11	WD714.0112	Hose clamp	
12	WD48128.31	Abutment, upper	
12	WD48128.32	Abutment, lower	
13	WD47263.01	Knob	
14	WD709.0609	Ball valve	
15	WD305187.01	Coarse strainer, return pump	
15	WD305187.02	Coarse strainer, return pump	Option
16	WD305327.32	Holder, coarse strainer	
16	WD306319.31	Holder, coarse strainer	Option

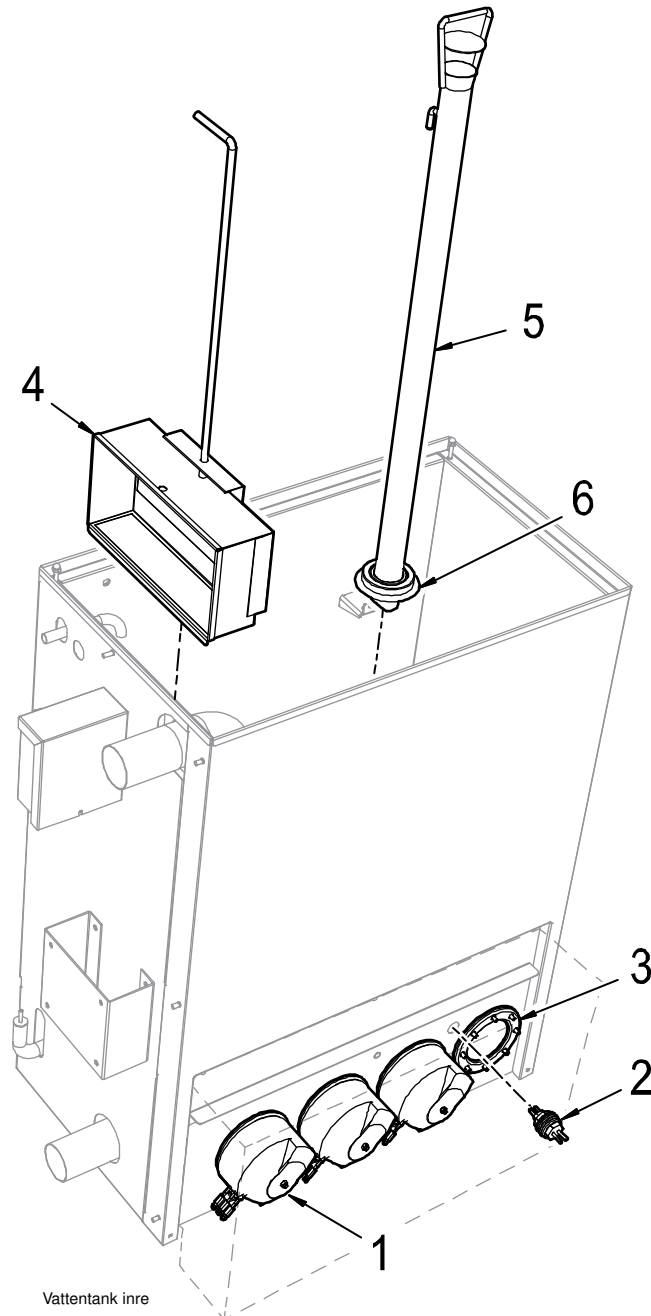
1.29 Water tank, external details



Spare parts

Water tank, external details			
Item	WD no.	Description	Comment
1	WD35637.01	Pump bracket	
2	WD700.0132	Screw	
3	WD700.1206	Washer	
4	WD33861.01	Pressure switch housing	
5	WD700.0902	Nut	
6	WD701.0112	Spacer	
7	WD51458019	Rubber sleeve	
8	WD33877.01	Cover, pressure switch housing	
9	WD733.0201	Pressure switch housing screw	
10		Pressure switch	See the machine's wiring diagram
11	WD303601.01	Tank lid	
12	WD43009.31	Bracket, gas spring	
13	WD700.1105	Cap nut	
14	WD305798.31	Handle	
15	WD713.0504	Gas spring	
16	WD304025.01	Protective cover	
17	WD700.1104	Cap nut	

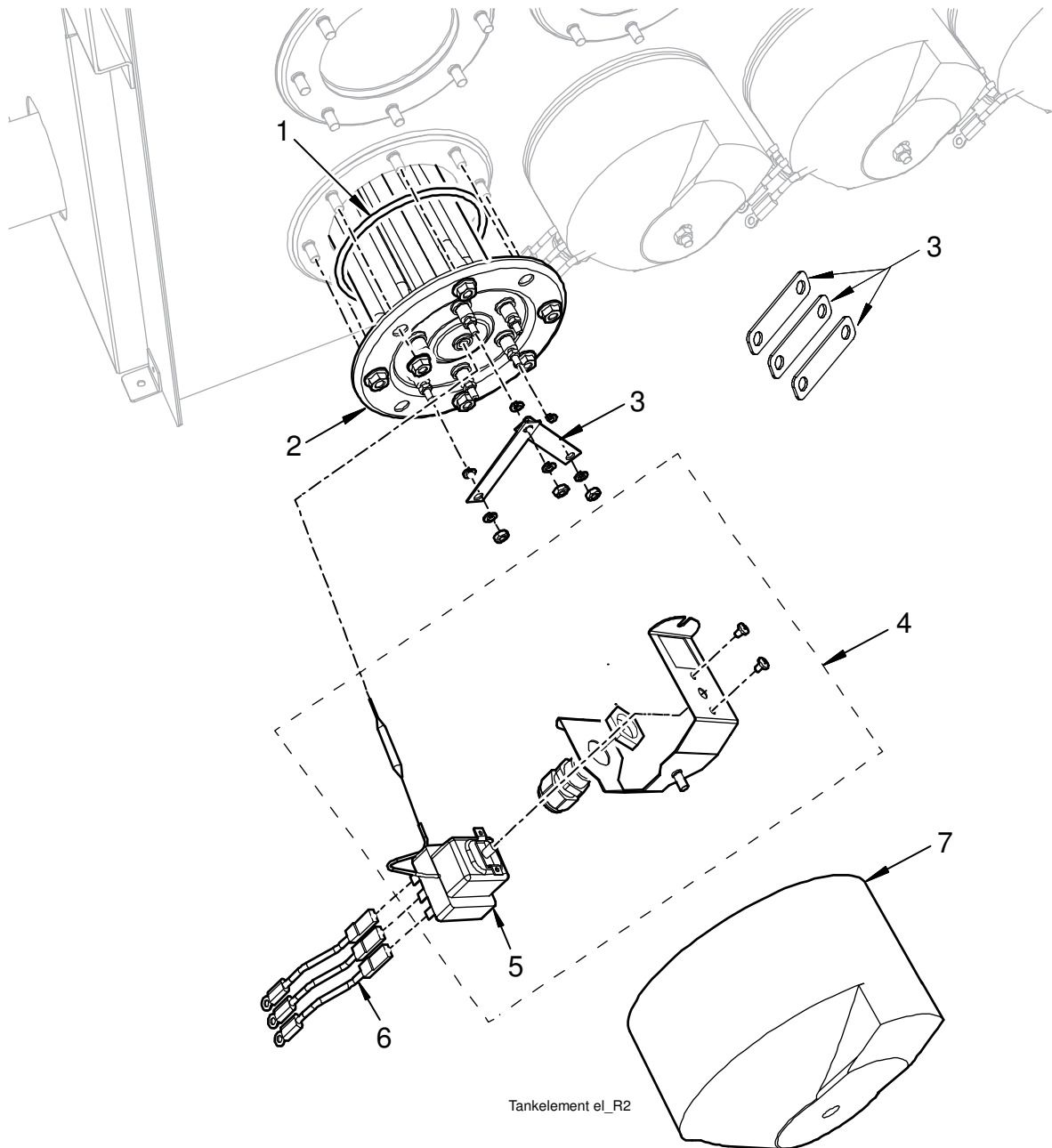
1.30 Water tank, internal details



Spare parts

Water tank, internal details			
Item	WD no.	Description	Comment
1		Tank heating element	See the machine's wiring diagram
2		Sensor, detergent concentration	See the machine's wiring diagram
3	WD30880.34	End plate	
4	WD35827.01	Pump filter	
5	WD22842.01	Level pipe	
6	WD719.4036	Level pipe sealing	

1.31 Electrically heated tank element

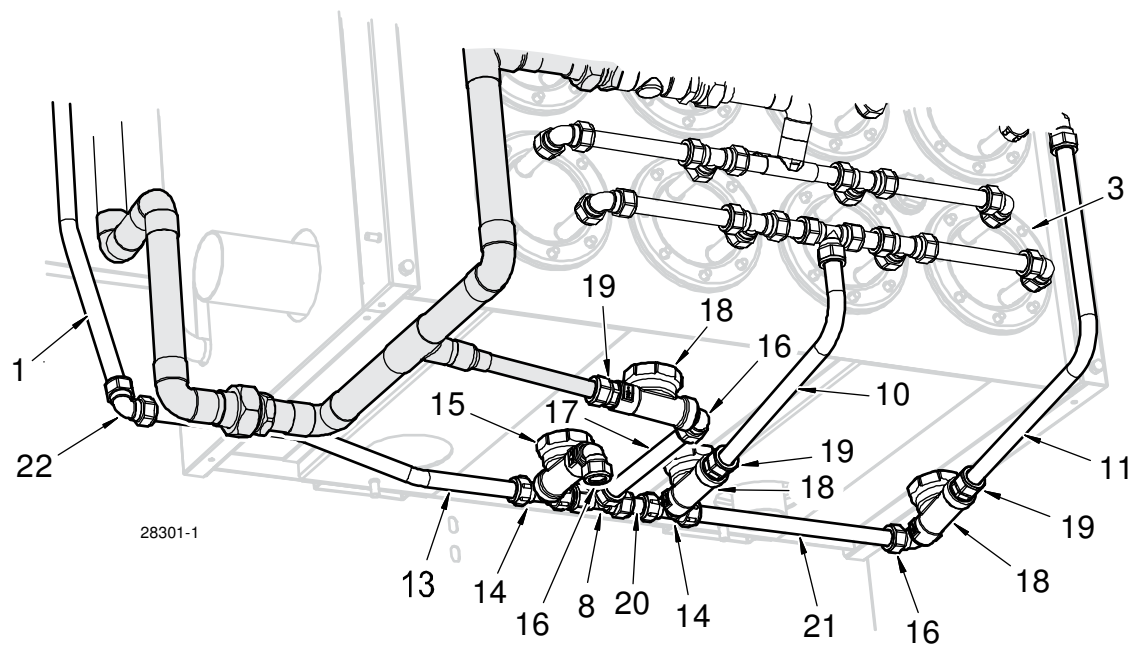
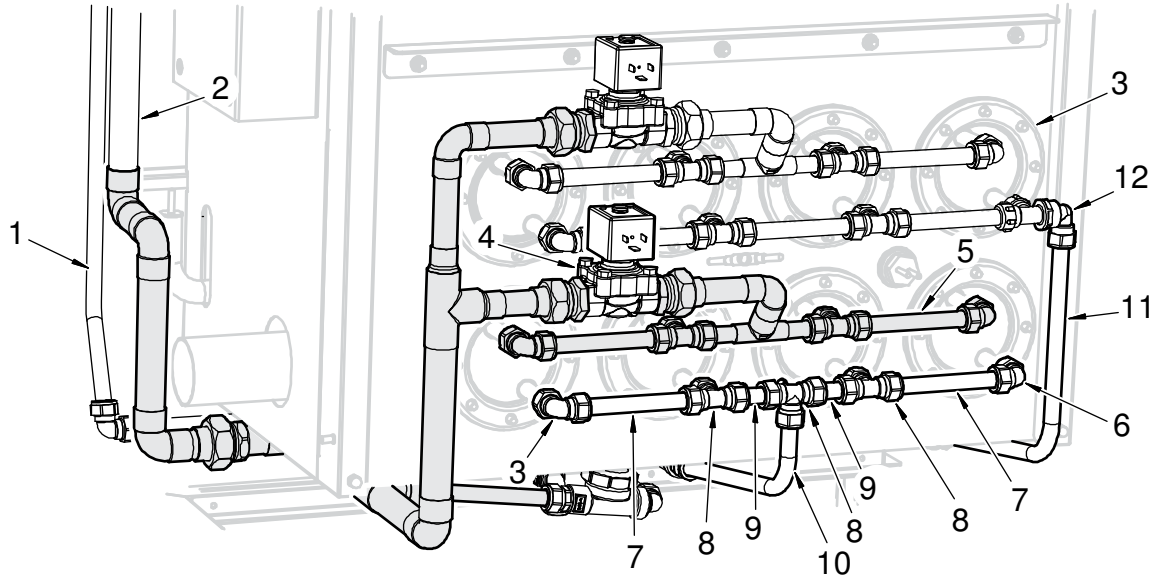


Spare parts

Electrically heated tank element 400-415 V			
Item	WD no.	Description	Comment
1	WD719.1090	O-ring	
2		Heating element	See the machine's wiring diagram
3	WD04920.31	Copper jumper	
4	WD302113.01	Overheating protection device for tank-heating element (400-415V), cpl	
5		* Overheating protection device	See the machine's wiring diagram
6	WD670.8244	Jumper cable	
7	WD301321.31	Protective cover	

Electrically heated tank element 200-230 V			
Item	WD no.	Description	Comment
1	WD719.1090	O-ring	
2		Heating element	See the machine's wiring diagram
3	WD400526.31	Connection lug	
4	WD302113.02	Overheating protection device for tank-heating element (230V), cpl	
5		* Overheating protection device	See the machine's wiring diagram
6	WD670.8245	Jumper cable	
7	WD301321.31	Protective cover	

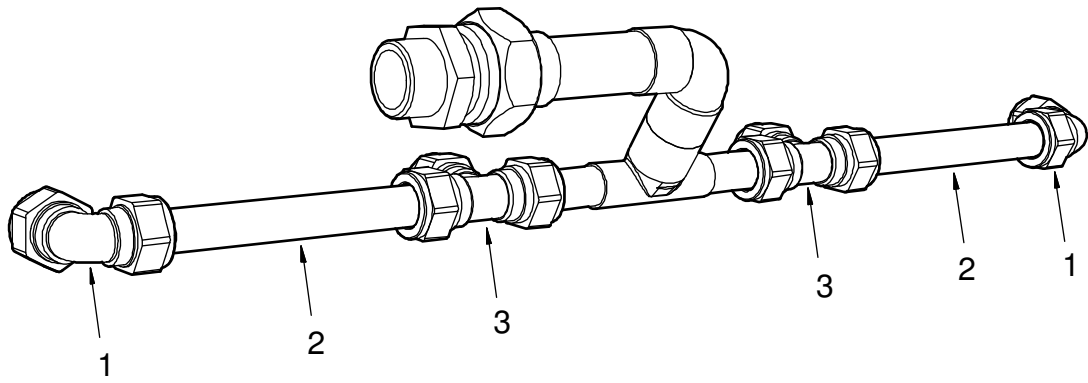
1.32 Piping, steam-heated tank element, 50-140 kPa (option)



Spare parts

Piping, steam-heated tank element, 50-140 kPa (option)			
Item	WD no.	Description	Comment
1	WD304365.31	Pipe	
2	WD47310.38	Pipe	
3		Steam-heated element	See separate section
4		Solenoid valve	See the machine's wiring diagram
5		Pipe assembly	
6	WD705.1205	Elbow coupling	
	WD705.0420	* Cone	
	WD705.0315	* Nut	
7	WD45754.51	Pipe	
8	WD705.2205	T coupling	
	WD705.0420	* Cone	
	WD705.0315	* Nut	
9	WD45754.46	Pipe	
10	WD47272.31	Pipe	
11	WD47305.31	Pipe	
12	WD705.1904	Elbow coupling	
	WD705.0420	* Cone	
	WD705.0315	* Nut	
13	WD47307.31	Pipe	
14	WD705.2303	T coupling	
15	WD709.1767	Steam trap	
16	WD705.1610	Elbow coupling	
	WD705.0420	* Cone	
	WD705.0315	* Nut	
17	WD45754.42	Pipe	
18	WD709.1766	Steam trap	
19	WD705.0914	Straight coupling	
	WD705.0420	* Cone	
	WD705.0315	* Nut	
20	WD45754.33	Pipe	
21	WD45754.45	Pipe	
22	WD705.1205	Elbow coupling	
	WD705.0420	* Cone	
	WD705.0315	* Nut	

1.33 Pipe assembly, steam, 50-140kPa (option)

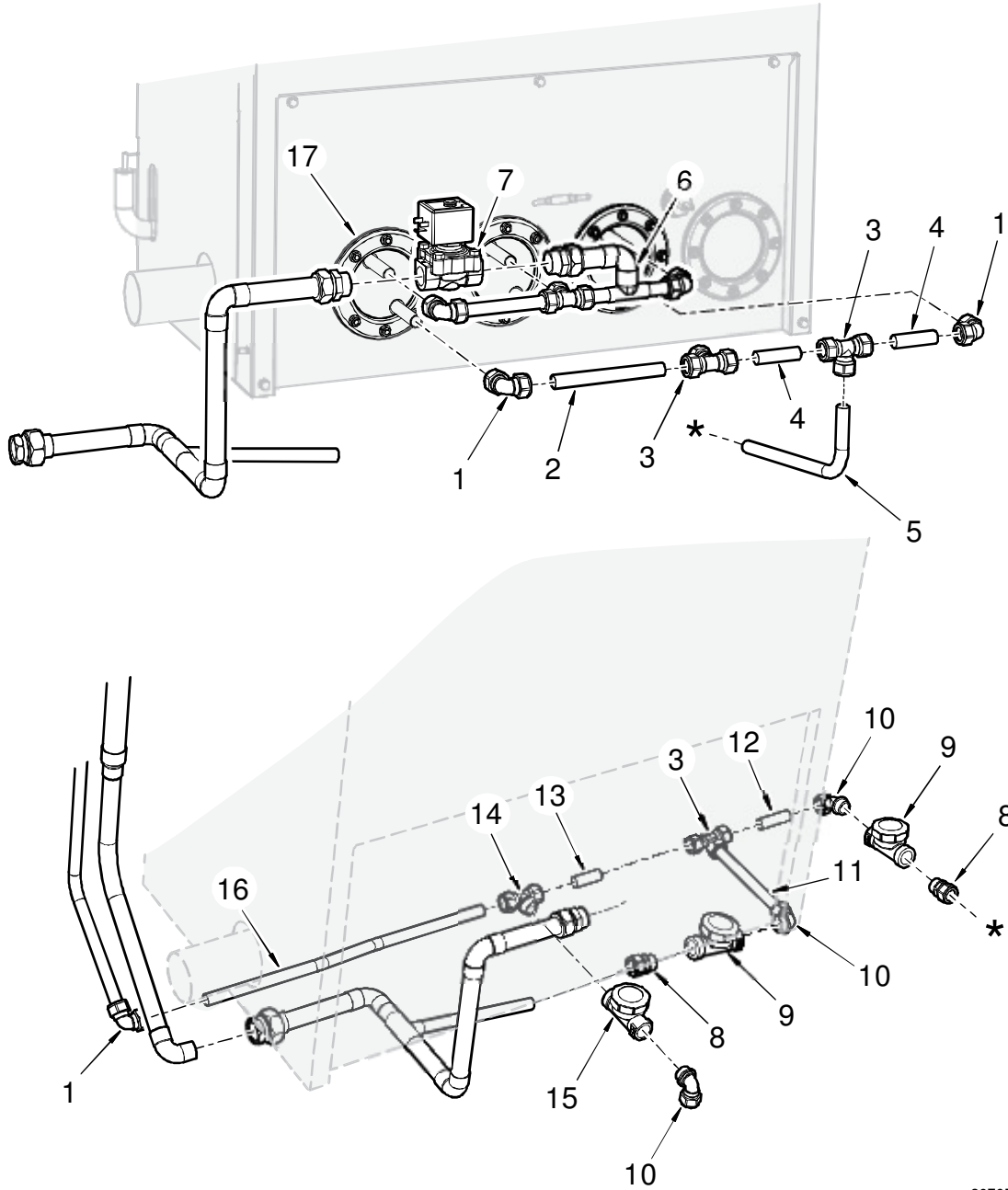


Rörpaket

Spare parts

Pipe assembly, steam, 50-140kPa (option)			
Item	WD no.	Description	Comment
1	WD705.1205	Elbow coupling	
	WD705.0420	* Cone	
	WD705.0315	* Nut	
2	WD45754.52	Pipe	
3	WD705.2205	T coupling	
	WD705.0420	* Cone	
	WD705.0315	* Nut	

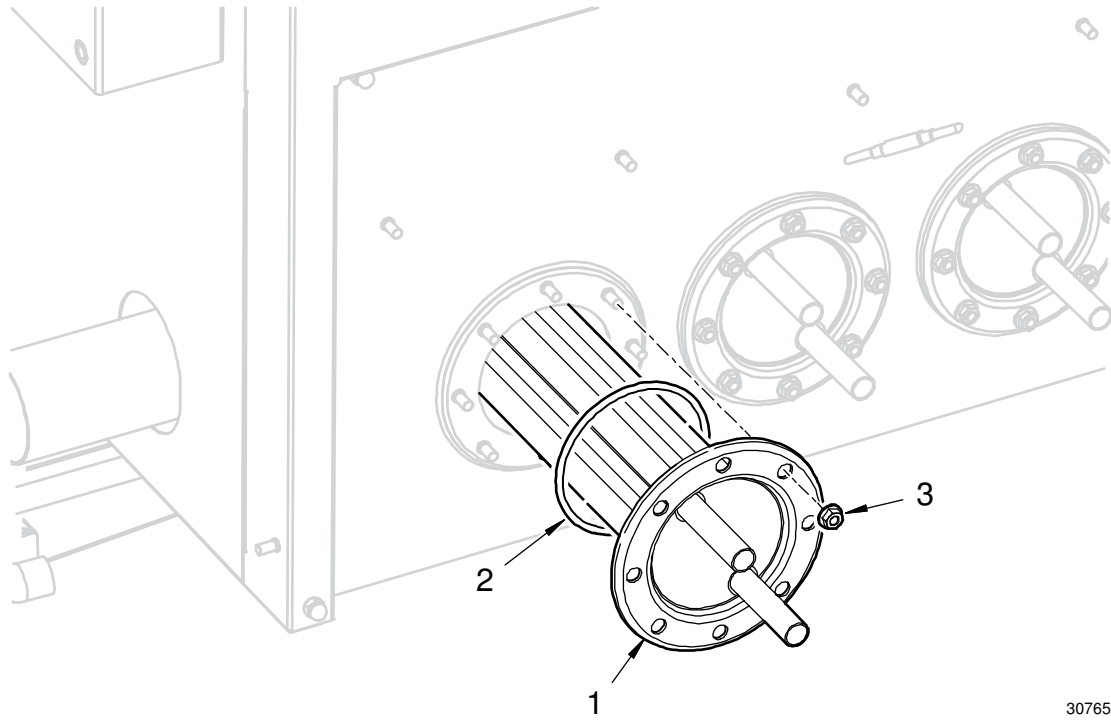
1.34 Piping, steam-heated tank element, 150-250 kPa (option)



307658-4

Piping, steam-heated tank element, 150-250 kPa (option)			
Item	WD no.	Description	Comment
1	WD705.1205	Elbow coupling	
	WD705.0420	* Cone	
	WD705.0315	* Nut	
2	WD45754.51	Pipe	
3	WD705.2205	T coupling	
	WD705.0420	* Cone	
	WD705.0315	* Nut	
4	WD45754.52	Pipe	
5	WD47272.31	Pipe	
6	WD303916.01F	Pipe assembly	
7		Solenoid valve	See the machine's wiring diagram
8	WD705.0914	Straight coupling	
	WD705.0420	* Cone	
	WD705.0315	* Nut	
9	WD709.1766	Steam trap	
10	WD705.1610	Elbow coupling	
	WD705.0420	* Cone	
	WD705.0315	* Nut	
11	WD45754.42	Pipe	
12	WD45754.33	Pipe	
13	WD45754.32	Pipe	
14	WD705.2303	T coupling	
	WD705.0420	* Cone	
	WD705.0315	* Nut	
15	WD709.1767	Steam trap	
16	WD47307.31	Pipe	
17		Steam coil	See separate section

1.35 Steam-heated tank element (option)

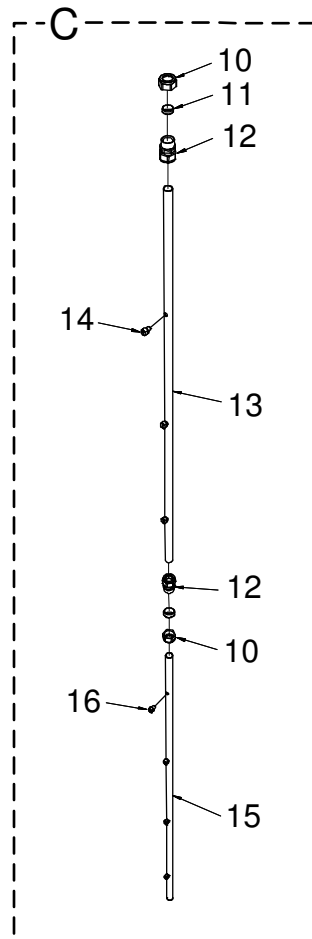
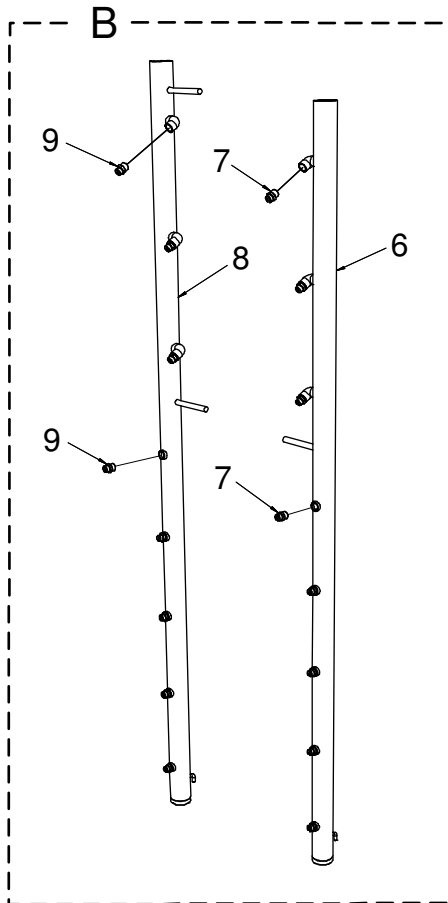
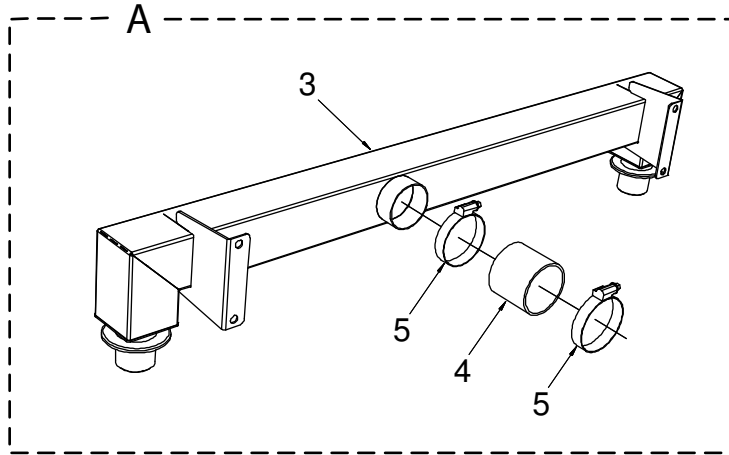
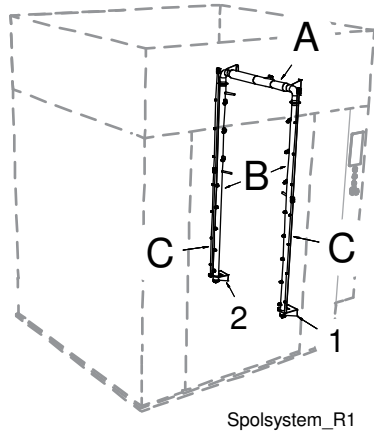


307658-3

Spare parts

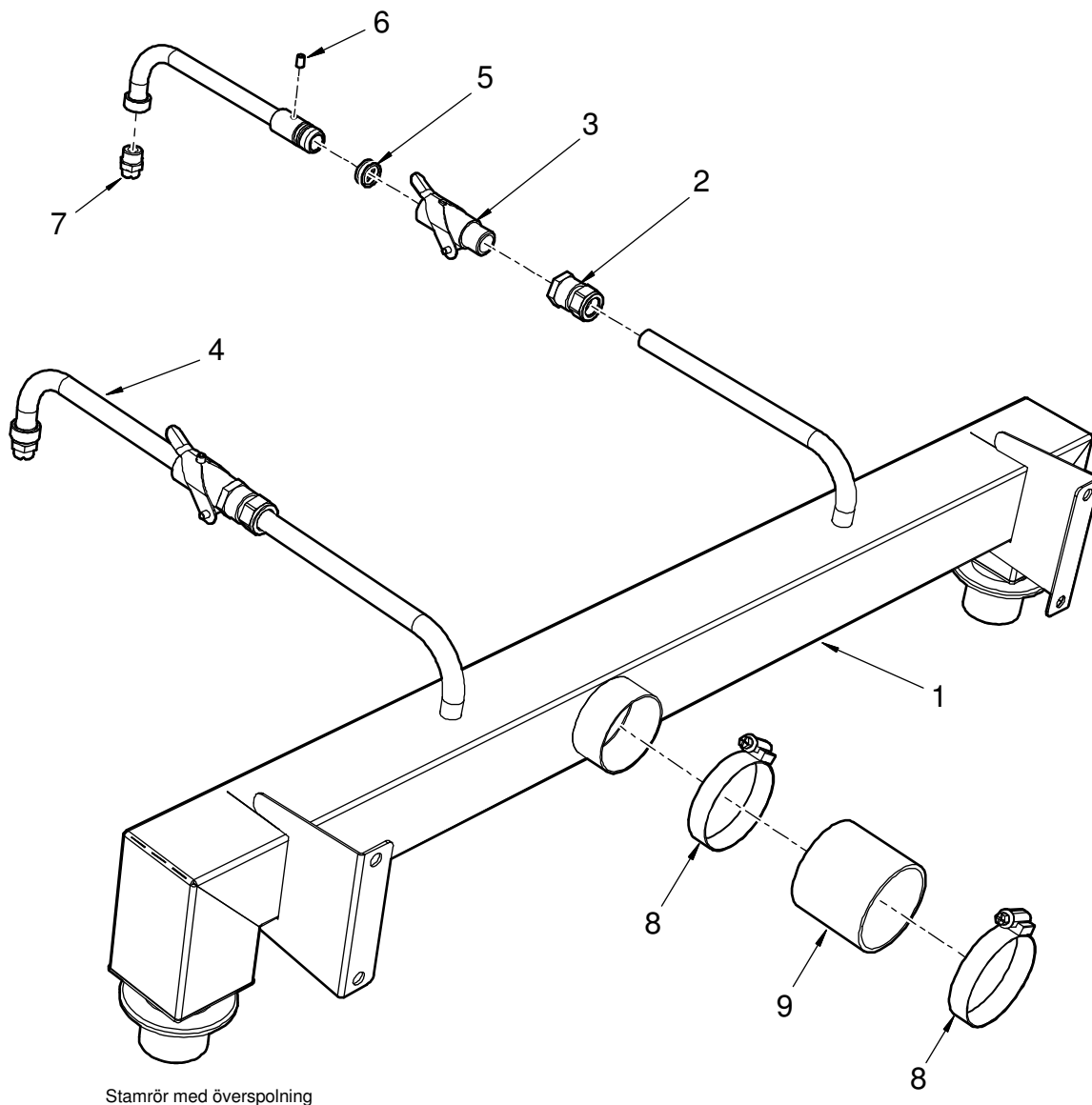
Steam-heated tank element (option)			
Item	WD no.	Description	Comment
1	WD30879.01	Steam coil with pressed end	
2	WD719.1090	O-ring	
3	WD700.2860	Nut	

1.36 Rinsing system



Rinsing system			
Item	WD no.	Description	Comment
1	WD35724.01	Bracket	
2	WD35724.02	Bracket	
A (main pipe)			
3	WD28946.01	Main pipe	
4	WD717.0163	Hose	L=70 mm
5	WD714.0212	Hose clamp	
B (rinse pipe - washing)			
6	WD35723.01	Rinse pipe	
7	WD712.1801	* Nozzle	
8	WD35723.02	Rinse pipe	
9	WD712.1801	* Nozzle	
C (rinse pipe - final rinse)			
	WD307276.75	Rinse pipe, complete	
10	WD705.0420	* Cone	
11	WD705.0316	* Nut	
12	WD705.0912	* Coupling, straight	
	WD705.0420	** Cone	
	WD705.0316	** Nut	
13	WD307270.02	* Rinse pipe, upper	
14	WD712.1010	** Nozzle	
15	WD307270.01	* Rinse pipe, lower	
16	WD712.1010	** Nozzle	

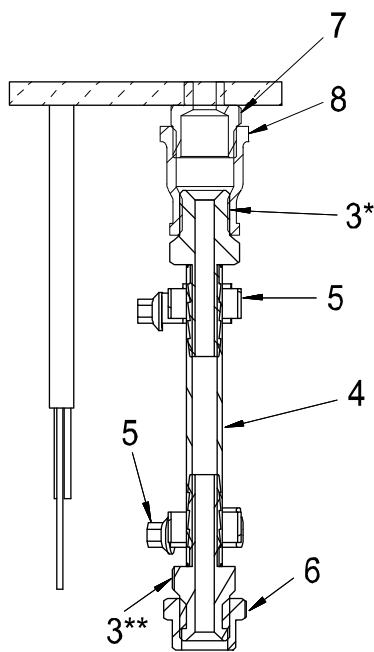
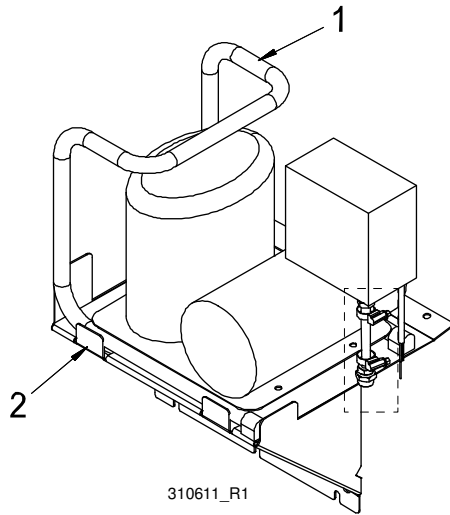
1.37 Main pipe with overflow (option)



Spare parts

Main pipe with overflow (option)			
Item	WD no.	Description	Comment
1	WD29352.01	Main pipe	
2	WD705.1008	* Straight coupling	
	WD705.0420	** Cone	
	WD705.0316	** Nut	
3	WD44266.01	* Locking sleeve	
4	WD46957.01	Overflow pipe	
5	WD719.0701	* O-ring	
6	WD700.0310	* Screw	
7	WD712.1801	* Nozzle	
8	WD714.0212	Hose clamp	
9	WD717.0163	Radiator hose	L=701mm

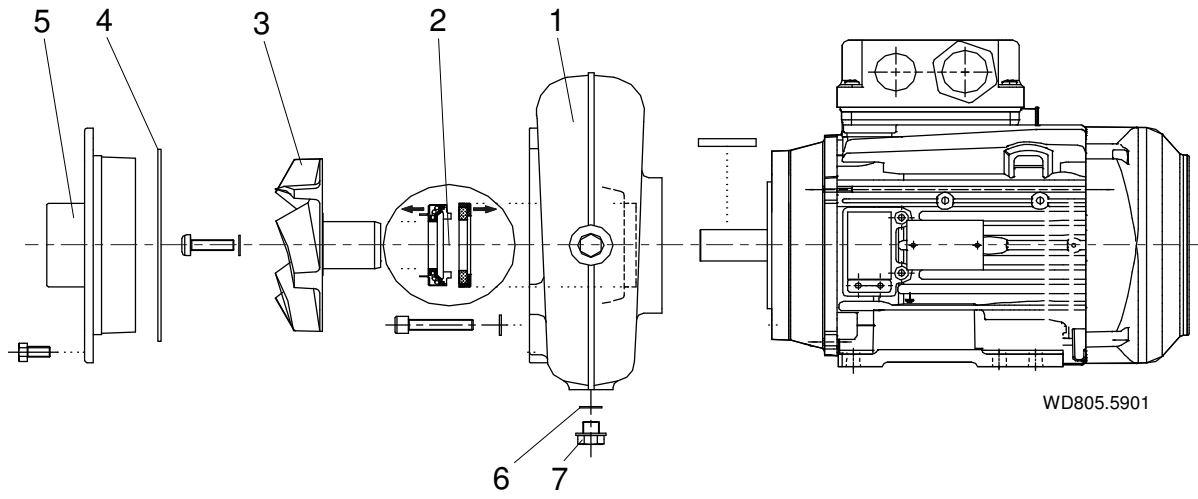
1.38 Built-in compressor (option)



Spare parts

Built-in compressor (option)			
Item	WD no.	Description	Comment
1	WD737.4064	Compressor	
2	WD307814.31	Shelf	
3	WD720.2224	Hose nipple	* Screwed in outgoing air compressor ** Screwed in incoming air WD-18CW
4	WD719.0250	Compressed air hose	L=0.65m
5	WD714.0103	Hose clamp	
6	WD706.0308	Bushing	
7	WD706.0806	Hexagonal nipple	
8	WD705.3032	Sleeve	

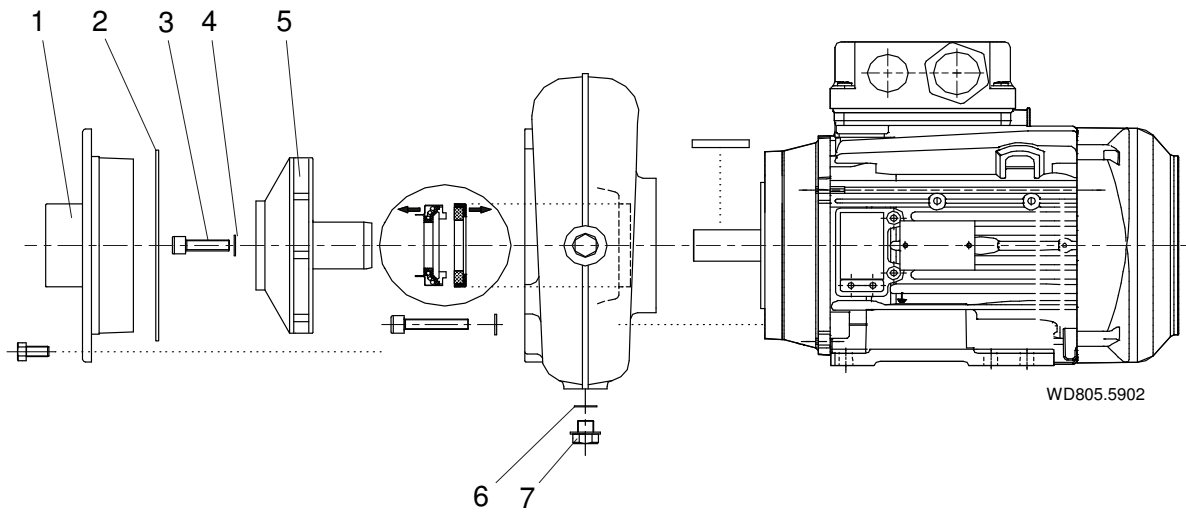
1.39 Pump P65-18



Spare parts

Pump P65-18			
Item	WD no.	Description	Comment
	WD805.5901	Pump 230V/400V 50Hz	
	WD805.5901A	Pump 440V 60Hz	
	WD805.5901C	Pump 230V/400V 60Hz	
1	WD805.5903	* Pump housing	
2	WD805.0907	* Mechanical seal	60 Hz
3	WD805.5909	* Pump wheel	50 Hz
4	WD805.0906	* O-ring	
5	WD805.5904	* Pump housing cover	
6	WD805.0926	* Plug	
7	WD805.0925	* O-ring	

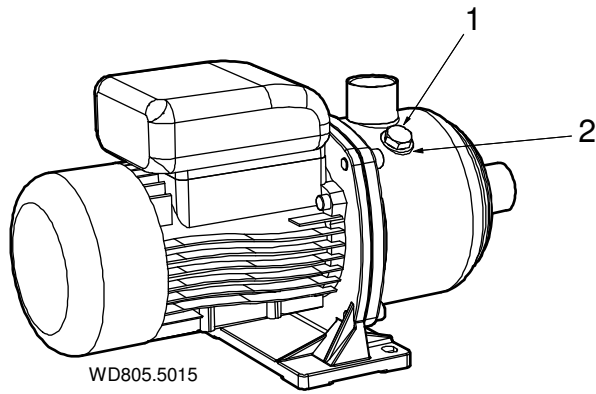
1.40 Pump P65-18 SH



Spare parts

Pump P65-18 SH			
Item	WD no.	Description	Comment
	WD805.5902E	Pump 200V 50Hz	
	WD805.5902F	Pump 200V 60Hz	
1	WD805.4904	* Pump housing cover	
2	WD805.0906	* O-ring	
3	WD805.0941	* Screw	
4	WD805.0940	* O-ring	
5	WD805.3902	* Pump wheel, closed	50 Hz
5	WD805.5906	* Pump wheel, closed	60 Hz
6	WD805.0925	* O-ring	
7	WD805.0926	* Plug	

1.41 Booster pump 1HM



Spare parts

Booster pump 1HM			
Item	WD no.	Description	Comment
	WD805.5015	Pump 230 V/400 V, 3, 50 Hz MP	
	WD805.5015A	Pump 255 V/440 V, 3, 60 Hz	
	WD805.5015B	Pump 230 V/400 V, 3, 60 Hz MP	
	WD805.5015C	Pump 230 V, 1, 50 Hz MP	
	WD805.5015E	Pump 200 V/346 V, 50 Hz	
	WD805.5015F	Pump 200 V/346 V, 60 Hz MP	
	WD805.5015G	Pump 220 V/240 V, 1, 50 Hz	
	WD805.5015H	Pump 460-480 V, 3, 60 Hz MP	
	WD805.5015B	Pump 230 V/400 V, 3, 60 Hz MP	
1	WD805.5016	* Plug	
2	WD805.5017	* O-ring	