

Plate Dispenser Metos

Drop-In LPD-S 1x320

420x420

One neutral cylinder, capacity about 60 plates. Max. diameter of plates 320 mm

- drop-in model without side panels
- drop-in hole size 382mm x 382mm
- unit's edge is 15 mm above the furniture's top plate
- recommended height of furniture 900 mm
- easily adjustable spring power according to weight of the plates

Accessories:

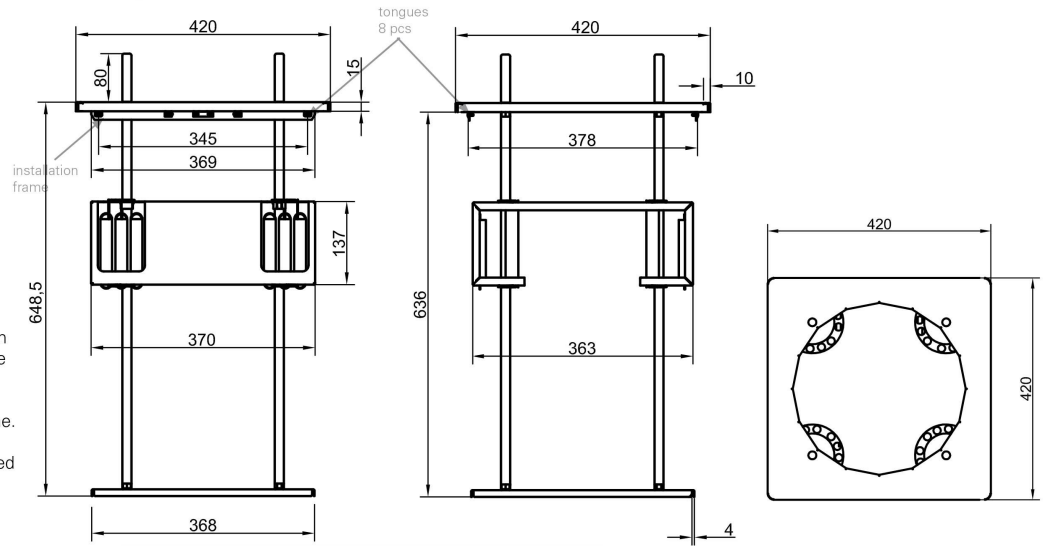
- Adjustment rods



Plate Dispenser Metos Drop-In LPD-S 1x320 420x420

Product capacity	appr. 50 plates
Item width mm	420
Item depth mm	420
Item height mm	635
Package volume	0.16
Unit of volume	m3
Package volume	0.16 m3
Package length	45
Package width	48
Package height	74
Package unit of dimension	cm
Package dimensions (LxWxH)	45x48x74 cm
Net weight	15
Net weight	15 kg
Gross weight	21
Package weight	21 kg
Unit of weight	kg

Installation on top of the table



**Drop-in Plate dispenser
Metos D-I LPD-S 320 neutral**

The counter, where drop-in units are installed, must be damp-proof and strong enough to bear the appliance weight.

When installing neutral plate dispensers, an installation frame should be mounted in the drop-in opening before lowering the cylinders. Bend down the eight tongues of the installation frame and then mount the frame. The tongues set the frame in the opening correctly. After this the cylinders are lowered into the installation frame.

Net weight:
D-I LPD-S 320 40 kg

