

# metos

## ICE CRUSHER

TYPE: Icerobot

---

### Installation and Operation Manual

---



---

S/N:

Rev.: 2.0



Dear Customer,

Congratulations on deciding to choose a Metos appliance for your kitchen activities. You made an excellent choice. We will do our best to make you a satisfied Metos customer like thousands of customers we have around the world.

Please read this manual carefully. You will learn correct, safe and efficient working methods in order to get the best possible benefit from the appliance. The instructions and hints in this manual will give you a quick and easy start, and you will soon note how nice it is to use the Metos equipment.

All rights are reserved for technical changes.

You will find the main technical data on the rating plate fixed to the equipment. When you need service or technical help, please let us know the serial number shown on the rating plate. This will make it easier to provide you with correct service.

For your convenience, space is provided below for you to record your local Metos service contact information.

METOS TEAM

Metos service phone number:.....

Contact person:.....



---

<b>1. General</b> .....	<b>1</b>
1.1 Symbols used in the manual .....	1
1.2 Symbols used on the appliance .....	1
1.3 Checking the relation of the appliance and the manual .....	1
<b>2. Safety instructions</b> .....	<b>2</b>
2.1 Safe use .....	2
2.1.1 Modifications .....	2
2.2 Safety instructions in case of malfunction .....	2
<b>3. Functional description</b> .....	<b>3</b>
3.1 Designed use of appliance .....	3
3.1.1 Other than instructed use .....	3
3.2 Structure .....	3
<b>4. Use instructions</b> .....	<b>4</b>
4.1 Before use .....	4
4.1.1 Switches .....	4
4.2 Use .....	4
4.3 After use .....	5
4.3.1 Cleaning .....	5
4.3.2 Scheduled maintenance .....	5
<b>5. Installation</b> .....	<b>6</b>
5.1 General .....	6
5.2 Electric connection .....	6
<b>7. Technical specifications</b> .....	<b>15</b>



# 1. General

Carefully read the instructions in this manual as they contain important information regarding proper, efficient and safe installation, use and maintenance of the appliance.

Keep this manual in a safe place for eventual use by other operators of the appliance.

The installation of this appliance must be carried out in accordance with the manufacturer's instructions and following local regulations. The connection of the appliance to the electric and water supply must be carried out by qualified persons only.

Persons using this appliance should be specifically trained in its operation.

Switch off the appliance in the case of failure or malfunction. The periodical function checks requested in the manual must be carried out according to the instructions. Have the appliance serviced by a technically qualified person authorized by the manufacturer and using original spare parts.

Not complying with the above may put the safety of the appliance in danger.

## 1.1 Symbols used in the manual



This symbol informs about a situation where a safety risk might be at hand. Given instructions are mandatory in order to prevent injury.



This symbol informs about the right way to perform in order to prevent bad results, appliance damages or hazardous situations.



This symbol informs about recommendations and hints that help to get the best performance out of the appliance.

## 1.2 Symbols used on the appliance



This symbol on a part informs about electrical terminals behind the part. The removal of the part must be carried out by qualified persons only.

## 1.3 Checking the relation of the appliance and the manual

The rating plate of the appliance indicates the serial number of the appliance. If the manuals are missing, it is possible to order new ones from the manufacturer or the local representative. When ordering new manuals it is essential to quote the serial number shown on the rating plate.

## **2. Safety instructions**

### **2.1 Safe use**

To guarantee the efficiency of the Metos Icerobot ice crusher and to ensure its proper operation, it is essential to adhere to the directions provided by the manufacturer and to make sure that any maintenance work is carried out exclusively by professionally qualified staff.

#### **2.1.1 Modifications**

Changing or trying to change the settings and adjustments, in addition to rendering any form of warranty null and void, is extremely dangerous

### **2.2 Safety instructions in case of malfunction**

Under no circumstances, try to repair the appliance yourself, since any intervention on the part of persons who are not competent, in addition to being dangerous, may cause serious damage to it. In the event of a failure, contact the dealer who sold you the appliance; he will be able to give you the address of your nearest Authorized Technical Service Centre. We recommend that you insist on having always and exclusively original spares.



## **3. Functional description**

### **3.1 Designed use of appliance**

The ice flaker is designed to crush ice cubes of all sizes into granules of desired size.

#### **3.1.1 Other than instructed use**

Any use of the ice flaker other than for the production of ice granules is to be considered as improper use.

### **3.2 Structure**

The Metos Icerobot ice crusher construction is of stainless steel throughout. Capacity approx. 6 kg ice cubes per minute. Delivery includes a GN1/3-150 container, volume approx. 3 kg, to be placed under the crusher.

## 4. Use instructions

### 4.1 Before use

Before operating the appliance ensure that:

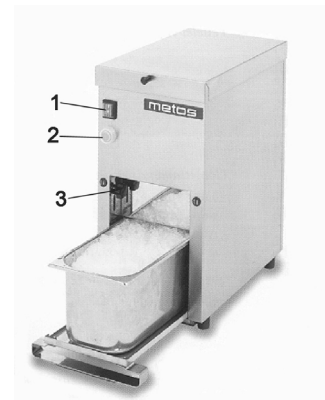
- the appliance is provided with a plug



Other liquids or items may not be present in the hopper or in the crushed ice container, as they can cause damage to the appliance.

#### 4.1.1 Switches

1. Powerswitch
2. Workingswitch
3. Granule size regulating knob



### 4.2 Use

Push the power switch (1) to position “1”. The signal lamp goes on and the appliance is ready for use.

If the lamp does not light, check the power supply.



The ice can be crushed into different size granules by regulating and fixing the knob (3) which is located on the inside of the front opening.

Check that the crushed ice container is placed inside the appliance.

Load the ice cubes into the hopper and close the cover.

Press the workingswitch (2) on the front panel until the loaded ice is crushed.



If the appliance does not operate after pressing the switch, check that the hopper cover and the front panel are well closed and try again. If the appliance still does not operate, switch off the appliance and call for service.

Press the power switch to position “0” after using.

## 4.3 After use

### 4.3.1 Cleaning



Make sure that the power cable is unplugged from the socket, before you start any cleaning operations.

For cleaning operations use appropriate detergents, they guarantee the appliances sterilisation, so that the crushed ice is always hygienic.



Clean the ice crusher regularly in order to guarantee optimum hygiene of the crushed ice.



Handle the hub with care, so you don't damage yourself or the appliance. It's recommended to use protecting gloves for cleaning operations of the hub, which is accessible by the upper and the back of the appliance.

### 4.3.2 Scheduled maintenance

Any service or maintenance operations are to be carried out by technically qualified persons only.

## 5. Installation

### 5.1 General

Place the ice crusher on an even level where it is easy to clean. The socket should be positioned near the appliance.



Do not locate the appliance too close to the walls or to other appliance in order to allow cleaning operations



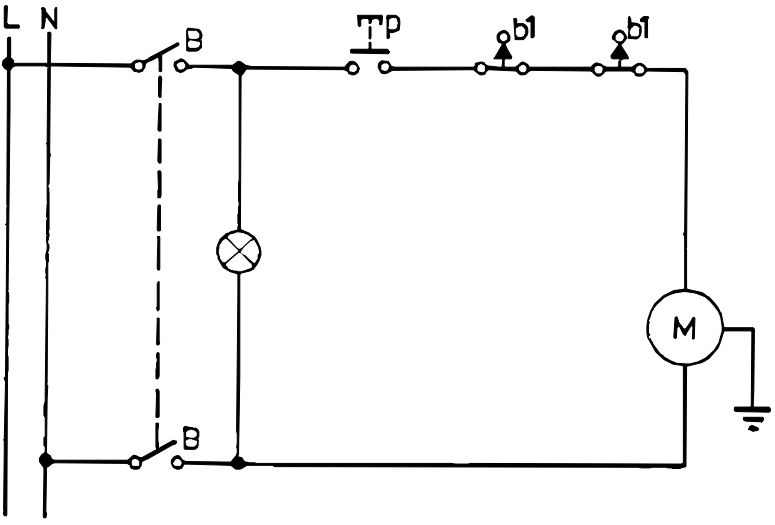
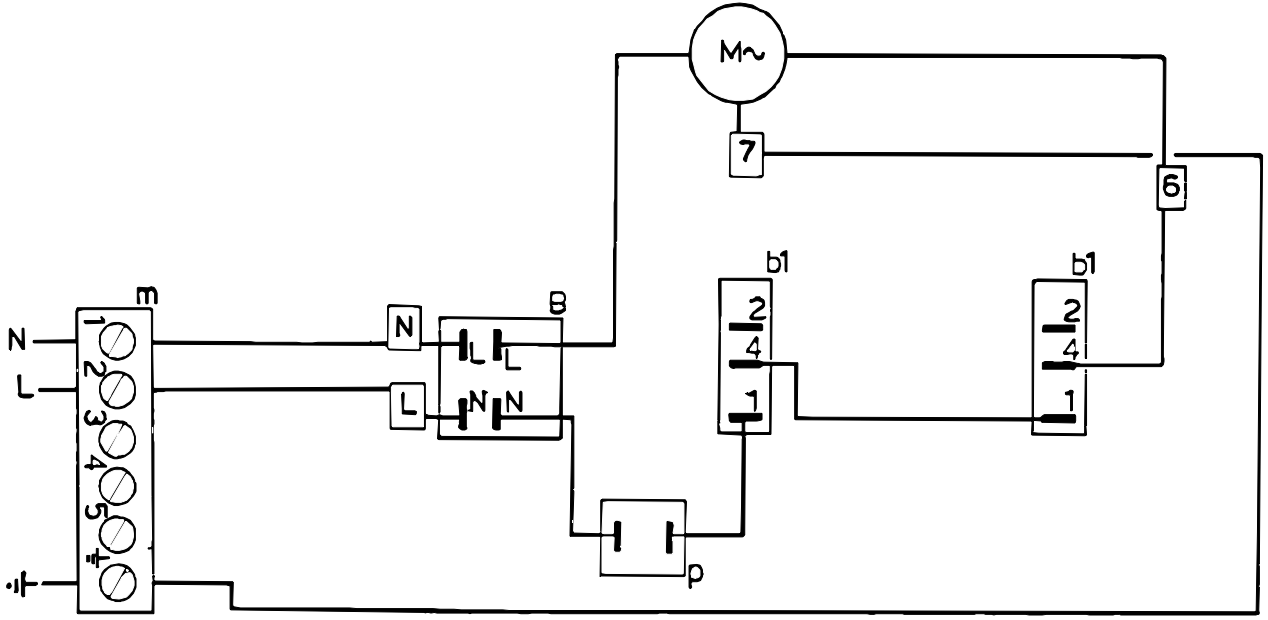
Avoid to install the ice crusher near heat sources to avoid overheating during operation.

### 5.2 Electric connection

Grounded powerplug.

## **7. Technical specifications**

### **Electric diagram**



- B SWITCH  
KYTKIN  
BRYTARE
- b1 MICROSWITCH  
MIKROKYTKIN  
MIKROBRYTARE
- m MAIN TERMINAL BLOCK  
KYTKENTÄRIMA  
KOPPLINGSSPLINT
- M MOTOR  
MOOTTORI  
MOTOR
- P BUTTON  
NAPPI  
KNAPP

Electric diagram

**Technical specifications**

---

Item	Specification
Electric connection	230V1~0,2 kW 10A
Size	245x430x490 mm
Basins capacity	3 kg
Crushing capacity	6 kg per minute
Weight	25 kg