

Water Dispenser Metos Drop-In WD-2

Two sided drop-in model to be palced into the furniture.
Powerful cold machine

- two mechanical faucets
- drain in top plate
- delivery doesn't include connection from cold machine to faucet



Water Dispenser Metos Drop-In WD-2

Product capacity	60 litre / hour
Item width mm	330
Item depth mm	640
Item height mm	15
Package volume	0.11
Unit of volume	m3
Package volume	0.11 m3
Package length	50
Package width	55
Package height	40
Package unit of dimension	cm
Package dimensions (LxWxH)	50x55x40 cm
Net weight	28
Net weight	28 kg
Gross weight	30
Package weight	30 kg
Unit of weight	kg
Connection power kW	0.5
Fuse Size A	10
Connection voltage V	230
Number of phases	1NPE
Frequency Hz	50
Startup current A	2.2
Protection rating (IP)	43
Electrical cable length mm	3200
Type of electrical connection	Plug
Cold water diam.	R1/2"
Cold water max pressure kPa	500
Drain diameter	R1/2"

Water Dispenser Metos Drop-In WD-2

Type of the refrigerant	R290
-------------------------	------

Quantity of refrigerant g	60
---------------------------	----

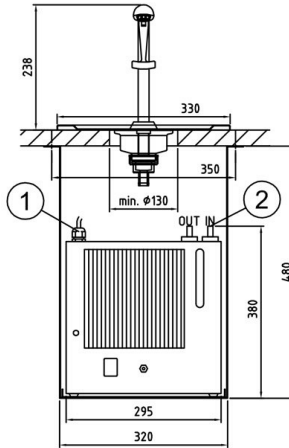
Installation on top of the table

**Drop-in Water dispenser
Metos D-I WD-2 mechanical**

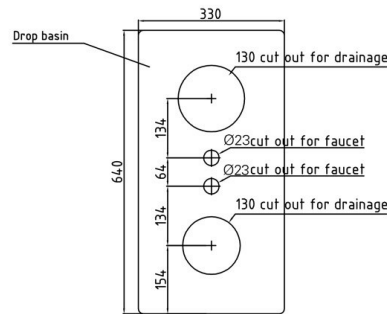
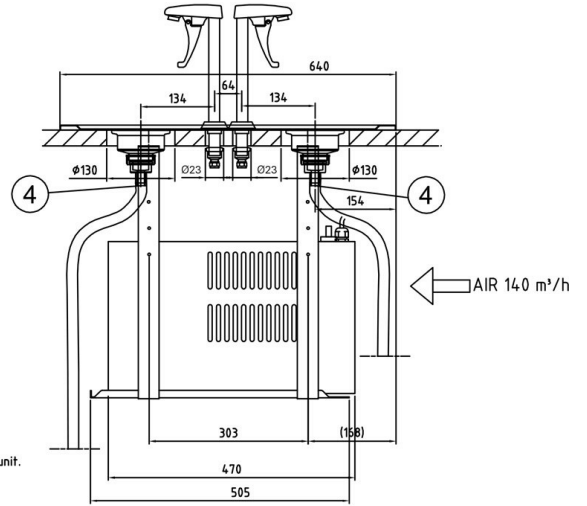
When constructing the counter, an opening for the connection cable must be considered. The opening must be at least the size of a plug (diameter min. 40 mm). In addition, the edges of the opening must be finished to make sure that the connection cable is not damaged by rubbing against the opening edge.

The counter, where drop-in units are installed, must be damp-proof and strong enough to bear the appliance weight.

Net weight:
D-I WD-2 29 kg



Cooling unit can also be set inside the buffet unit.
Make sure of good ventilation.



The holes to the table for fastening the faucet and drainage.

- ① Electric connection: 230V, 1~, 0,5kW, 10A
The length of the connection cable is 3,2 m.
- ② Cold water connection: R1/2", max 500 kPa
- ④ Drain: Connection for hose with 18 mm inner diameter.
Hose not included in the delivery.