

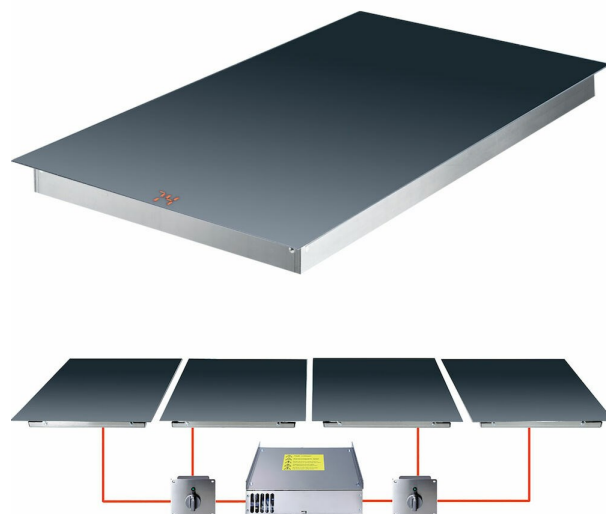
Inducs Metos Hold-line HO/IN 3200-GN

Metos Induction Hold line HO/IN 3200-GN Includes four induction heating plates, one generator and two temperature controls

- **INDUCTION HEATING PLATES** Drop in induction plates measures are 520 x 320 x 75 mm. They are suitable for all the containers designed for induction use and especially well for GN 1/1- containers. Flat and compact design helps the installation. Accurate temperature control thanks to three temperature sensors and six induction coils. Large and clear temperature display on the induction plates. Strong dark ceramic glass surface stands a heavy use and is easy to clean. Energy efficient and safe solution. No additional power output when the containers are removed from induction plates. Power is concentrated only into the containers, which reduces the unnecessary heating around the environment. Efficiency is 800 Watts per plate.

- **GENERATOR** One efficient generator. Easy to install with plugged cable connection. Please note! The generator requires a powerful ventilation to keep it at the operating temperature.

- **TEMPERATURE CONTROL** Two temperature controls, one control for two plates. Stepless temperature adjusting from 50°C - 100°C. Real time temperature control maintains the entered temperature to within a degree. Control measures the bottom temperature of the containers.



Induc Metos Hold-line HO/IN 3200-GN

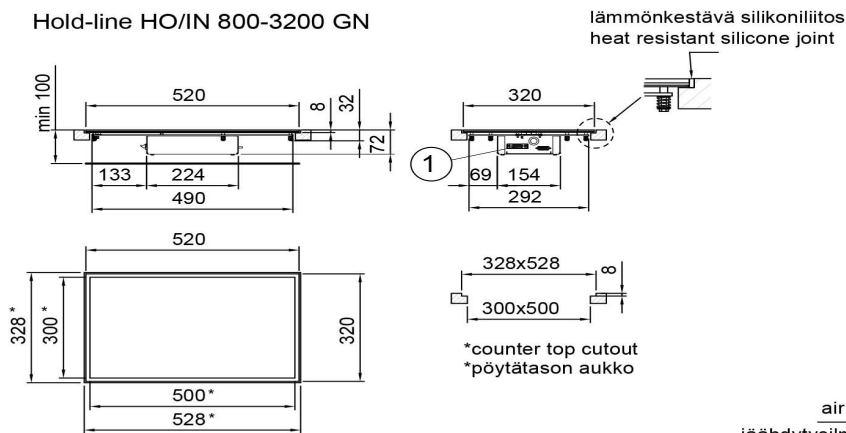
Product capacity	Plates 4x320x520x75 mm
Item width mm	320 X 4
Item depth mm	520
Item height mm	75
Package volume	0.01
Unit of volume	m3
Package volume	0.01 m3
Package length	0
Package width	0
Package height	0
Package unit of dimension	cm
Package dimensions (LxWxH)	0x0x0 cm
Net weight	36.8
Net weight	36.8 kg
Gross weight	36.8
Package weight	36.8 kg
Unit of weight	kg
Connection power kW	3.2
Fuse Size A	16
Connection voltage V	230
Number of phases	1N
Frequency Hz	50
Type of electrical connection	Plug

User Manual SE

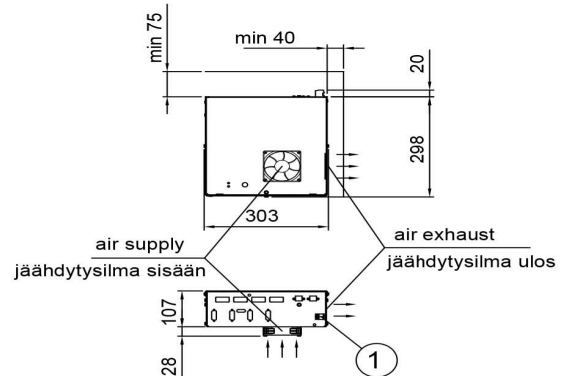


METOS HOLD-LINE

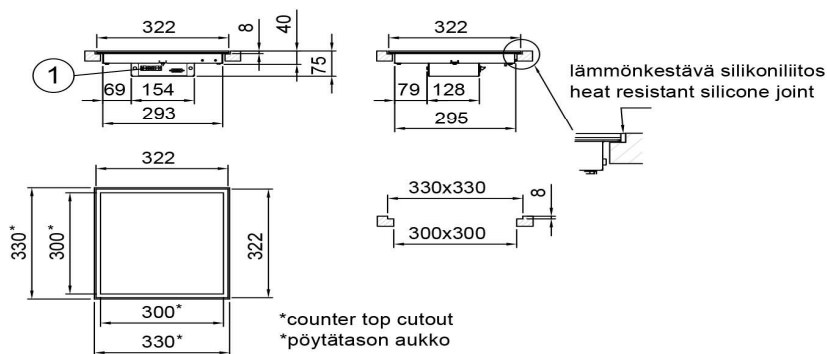
Hold-line HO/IN 800-3200 GN



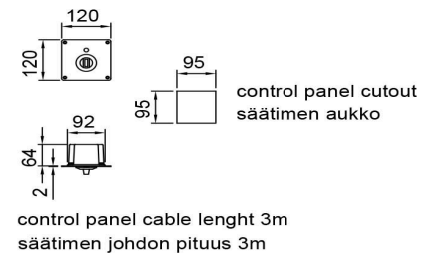
GENERATOR



Hold-line HO/IN 450-1800



CONTROL PANEL



heat retention plate cable length 2.5m
lämpötason liitäntäkaapelin pituus 2.5m

Generaattori tulee asentaa lukittavaan kaappiin. Induktionlaitteen alapuolella, puhaltimen kohdalla on ehdottomasti oltava vapaata tilaa ilmanotolle. Optimaalista ilmanottoa ei saa heikentää asennuksella. Tarvittaessa esteetön ilmansaanti on varmistettava varustamalla laite kiinteällä ilmanavalla. Huomaa erityisesti, että ilmanotto- ja poistoaukkojen etäisyyden seinään ja lattiaan on oltava vähintään 30 mm. Otto ja poistoilma eivät saa sekoittua. Ilmansaannin takaamiseksi ilmanottoputki on johdettava kalusteen alle. Ilmanpoistoaukkoja ei saa peittää.

The induction-generator must be installed in lockable cabinet. The rear side of the induction unit below the fan (air intake) has to be absolutely free regarding danger of obstruction. An optimal air intake must not be reduced by the installation. If necessary, a perfect air supply has to be guaranteed by adding an air duct. Make special attention to the air inlet and air outlet openings: there has to be a distance of at least 30mm between obstructions like walls or floors. In addition to that make attention that the air of air inlet and air outlet do not mix. It is recommended to guarantee a supply of fresh air by fixing an air duct to air openings. The air exit must not be obstructed.