

Dishwasher Metos Master GR300 PLUS 400V

Metos GR-300 is an efficient granule washing machine, ensuring the best possible wash and rinse result with integrated systems controlling the wash process.

Metos GR-300 machine has a double-wall body that is fully insulated for high performance with thermoacoustic material. All electrical and electronic components are protected in a separate box that is easily accessible from the front of the machine. Machine comes with 12 washing programs to be used with (6) or without (6) granules

Standard equipment (included in the delivery):

- Round washing basket for eight GN1/1 or four GN2/1 containers
- Stand for trays
- Stand for tins
- Utensils rack
- Support for utensils' rack and pots
- Stand for small pots
- Stand for large pots
- Basket lifter
- 12L/9kg washing granules



Dishwasher Metos Master GR300 PLUS 400V

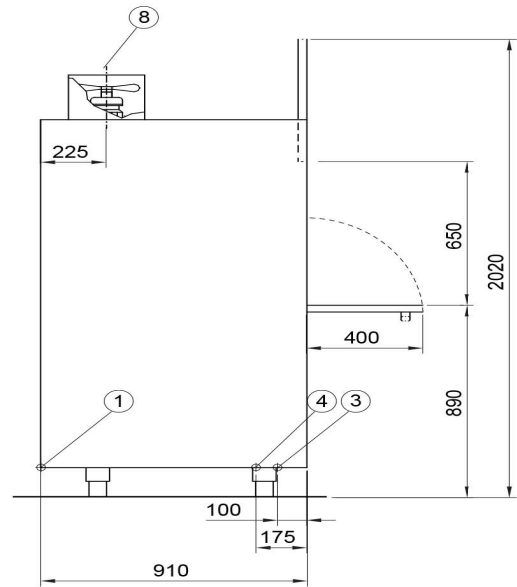
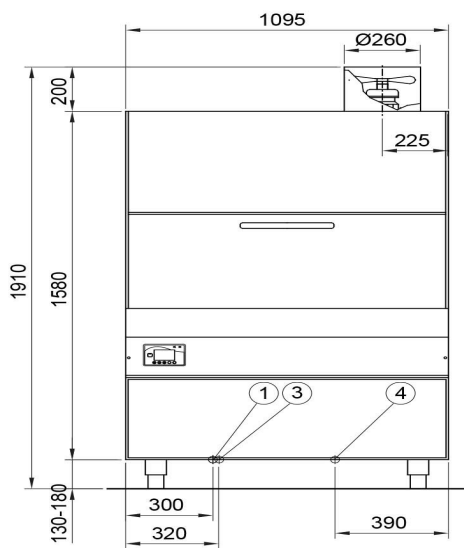
Product capacity	6xGN1/1, 2xGN2/1
Item width mm	1100
Item depth mm	900
Item height mm	2050/2100
Package volume	2.709
Unit of volume	m3
Package volume	2.709 m3
Package length	120
Package width	105
Package height	215
Package unit of dimension	cm
Package dimensions (LxWxH)	120x105x215 cm
Net weight	425
Net weight	425 kg
Gross weight	435
Package weight	435 kg
Unit of weight	kg
Connection power kW	12.2
Fuse Size A	20
Connection voltage V	400
Number of phases	3NPE
Frequency Hz	50
Protection rating (IP)	IPX4
Type of electrical connection	Semifixed
Electrical conn. height mm	150
Hot water diam.	3/4"
Hot water flow l/min	10
Hot water conn. height mm	150
Drain diameter	32

Dishwasher Metos Master GR300 PLUS 400V

Drain flow l/s	3
Drain conn. height mm	230
Floor drain needed	Yes
Boiler power kW	9
Boiler volume L	20
Power type	electric
Operation type	electronical
Cleaning	washing program
Programmability	programmable
Amount of programs	12
Insulation	insulated
Method of washing	granule wash
Drain pump	No



METOS GR300



- ③ R 3/4", 200-400kPa, 12 l/min.
- ④ Ø24 mm