

## Oven group Metos Chef220/220/2928-400V3N~

Oven group with two Chef 220 ovens and stand Chef 2928.

### CHEF 220 ROASTING BAKING OVEN

- stainless steel cabinet and exterior surface
- large double-glazed door
- temperature: +50-300°C
- separate regulating for upper and lower heating elements
- manual valve for taking out the humidity from the cabinet
- 2 removable pairs of rails



## Oven group Metos Chef220/220/2928-400V3N~

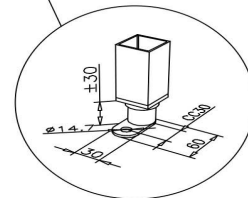
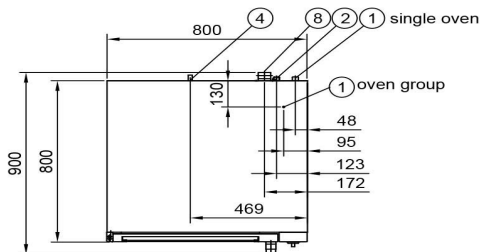
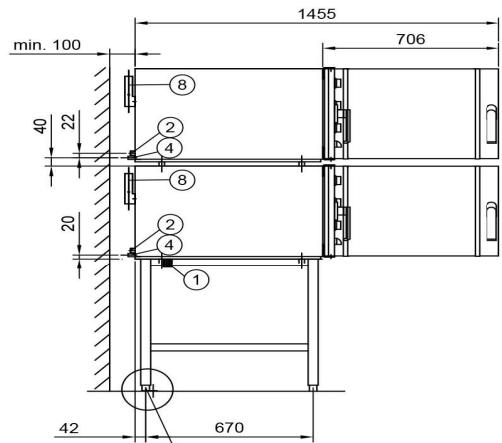
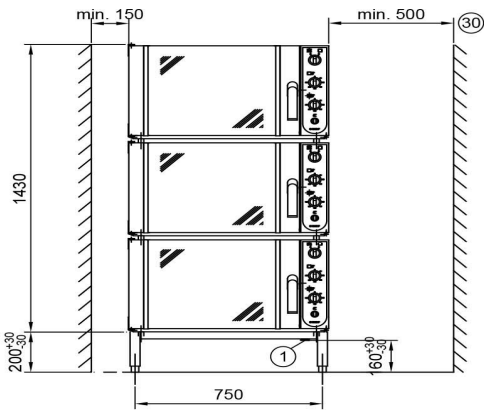
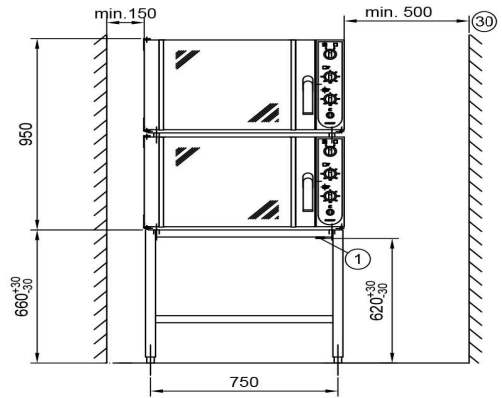
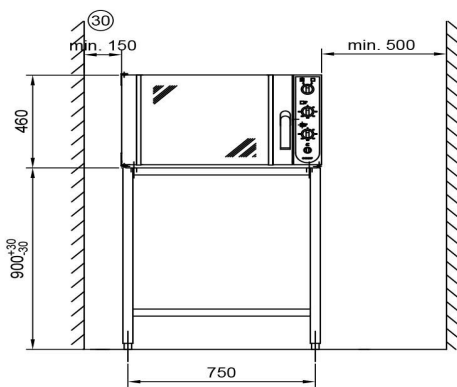
Product capacity	2 uunia à 1xGN2/1 tai 2xGN1/1
Capacity	800×800×1600
Item width mm	800
Item depth mm	800
Item height mm	1600
Package volume	1.539
Unit of volume	m3
Package volume	1.539 m3
Package length	90
Package width	95
Package height	180
Package unit of dimension	cm
Package dimensions (LxWxH)	90x95x180 cm
Net weight	127
Net weight	127 kg
Gross weight	142
Package weight	142 kg
Unit of weight	kg
Connection power kW	9.4
Fuse Size A	25
Connection voltage V	400/230
Number of phases	3NPE
Frequency Hz	50
Startup current A	20
Protection rating (IP)	X3
Type of electrical connection	Semifixed
Power type	electric
Raw material	Stainless steel
Operation type	electromechanical

## Oven group Metos Chef220/220/2928-400V3N~

Hinge location	left
Cleaning	hand wash
GN size	1xGN2/1 or 2xGN1/1
Temperature area °C	50-300
Max temperature °C	300
Power range kW	9.4
Temperature probe	No
Fill in trolleys	No
Hand shower	No
Descaling	No
Humidification	Yes
Timer	Yes



**METOS CHEF 200 / 220 / 240**



- (2) R 3/4", CHEF 200 / 240
- (4) R 3/8", CHEF 240
- (8) duct 30x50 mm