

Range + Roasting oven Metos Ardox S6/Chef 220 400V3N

Flat-top range with six 3,5 kW cooking zones. Chrome-steel top, construction stainless steel

- chrome on the cooking top reduces heat loss
- stepless power regulator
- flat cooking top is easy to clean
- stand with Metos Chef 220 roasting oven, capacity 2 x GN1/1 or 1 x GN2/1



Range + Roasting oven Metos Ardox S6/Chef 220 400V3N

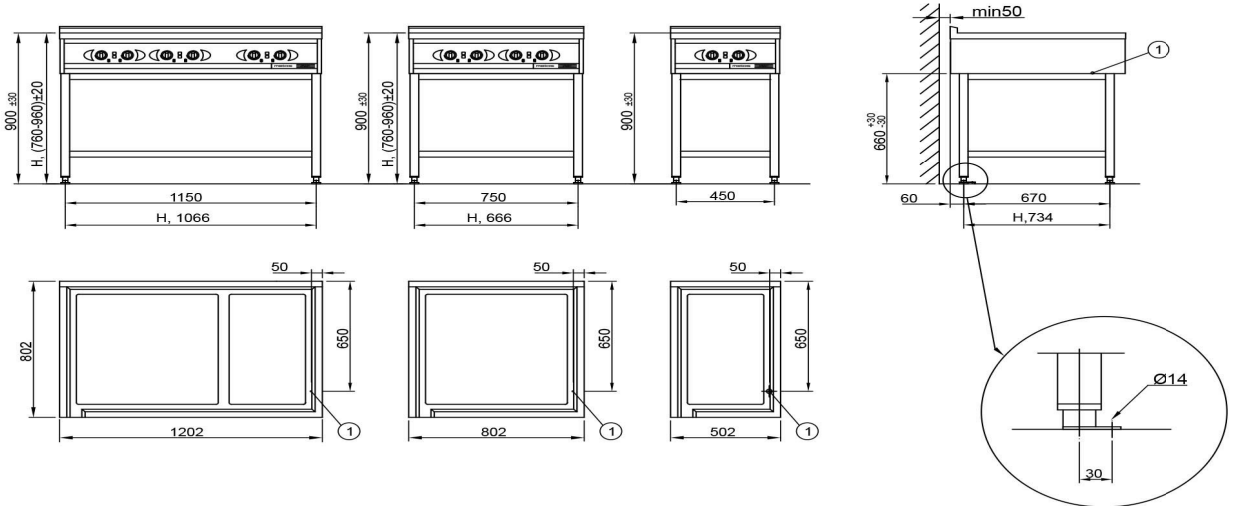
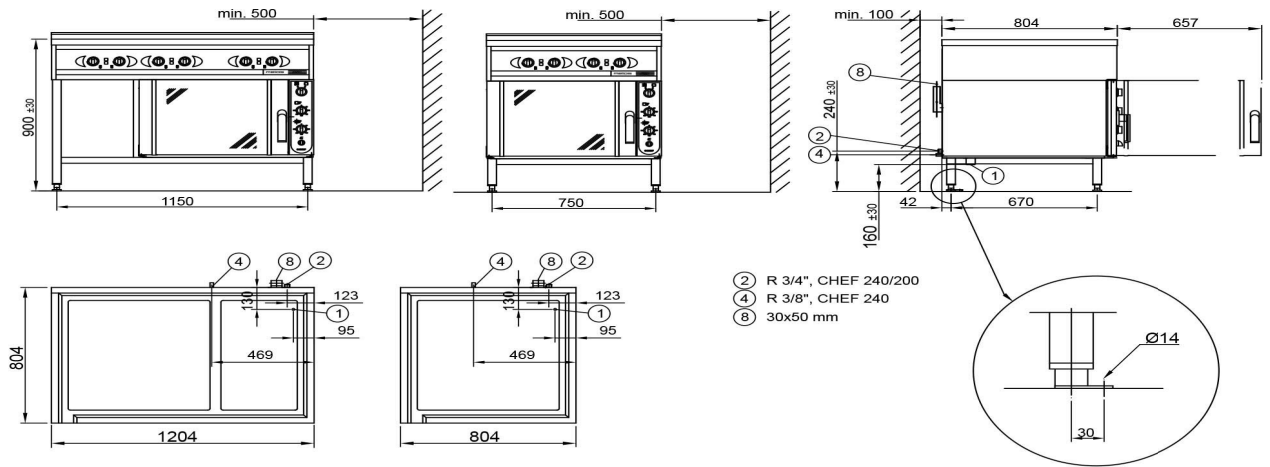
Product capacity	6 zones, 1xGN2/1 / 2xGN1/1
Capacity	1200x800x900
Item width mm	1200
Item depth mm	800
Item height mm	900
Package volume	1.17
Unit of volume	m3
Package volume	1.17 m3
Package length	130
Package width	90
Package height	100
Package unit of dimension	cm
Package dimensions (LxWxH)	130x90x100 cm
Net weight	194
Net weight	194 kg
Gross weight	266
Package weight	266 kg
Unit of weight	kg
Connection power kW	25.7
Fuse Size A	50
Connection voltage V	400
Number of phases	3NPE
Frequency Hz	50
Protection rating (IP)	44
Type of electrical connection	Semifixed
Electrical conn. height mm	250
Remarks (electrical)	Working current 41A
Power type	electric
Raw material	Stainless steel

Range + Roasting oven Metos Ardox S6/Chef 220 400V3N

Type	electric
Operation type	electromechanical
Temperature area °C	50-300
Top material type	chrome
Cooking zone	6
Cooking zone power kW	3.5
Power range kW	15.3
Frying top type	smooth



METOS ARDOX



METOS ARDOX TABLETOP

