

Mixer Metos SP-502A-B

Heavy and stable table-top appliance. 5 litre stainless steel bowl

- 10 variable speed gear box motor
- quick-release safety guard/splash cover with ingredient chute
- automatic die-cast aluminum base & column
- ideal for bakery school and individual bakery workroom

Standard accessories (included in the offered price)

- stainless steel bowl 5 ltr
- stainless steel hook
- stainless steel whisk
- stainless steel beater



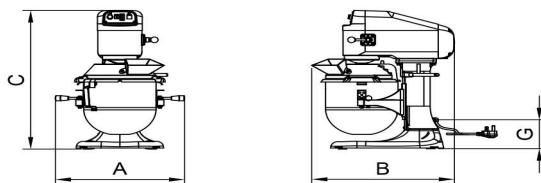
Mixer Metos SP-502A-B

Item width mm	310
Item depth mm	380
Item height mm	455
Package volume	0.09
Unit of volume	m3
Package volume	0.09 m3
Package length	37
Package width	47
Package height	52
Package unit of dimension	cm
Package dimensions (LxWxH)	37x47x52 cm
Net weight	15
Net weight	15 kg
Gross weight	16
Package weight	16 kg
Unit of weight	kg
Connection power kW	0.75
Fuse Size A	10
Connection voltage V	220-240
Number of phases	1NPE
Frequency Hz	50/60
Protection rating (IP)	X1
Type of electrical connection	Plug
Power range kW	0.75
Bowl transfer	manual
Attachment drive	Yes
Timer	No

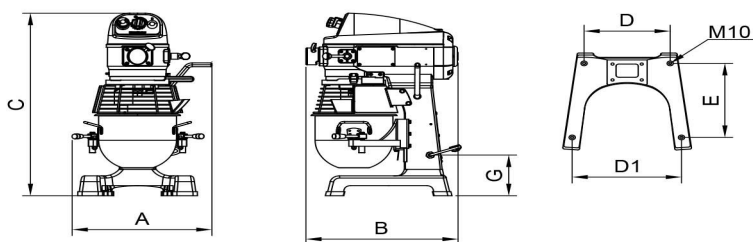


METOS SPAR

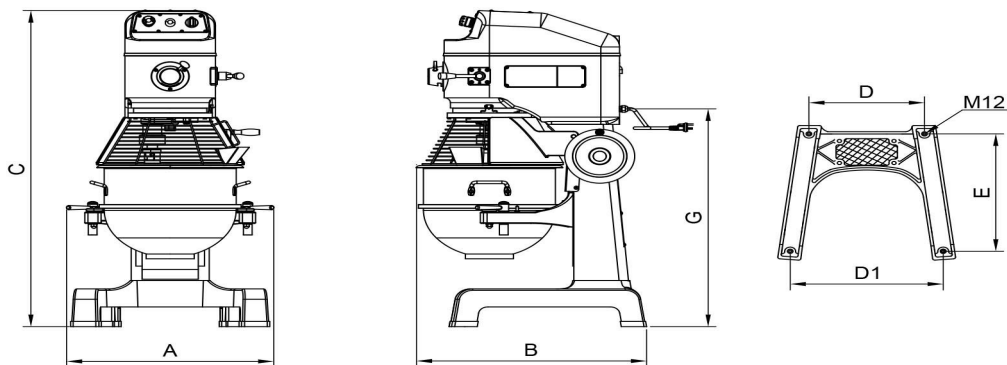
SP502/SP800



SP-100/SP-200



SP-30 - SP80



Metos	A	B	C	D	D1	E	G
SP-502A-B	392	388	434	140	136	250	60
SP-800A-B	414	455	580	192	208	282	121
SP-100A	448	490	765	236	301	346	170
SP-200A	550	515	871	242	341	353	217
SP-30HA	650	667	1172	390	496	560	783
SP-40HA	665	738	1315	410	545	575	907
SP-60HA	775	770	1308	410	545	575	899
SP-A80HI	788	1088	1559	440	665	804	1171
SP-B80HI	788	1088	1559	440	665	804	1171