

## Range Ardox S2 400V3N

Flat-top range with two 3,5 kW cooking zones. Chrome-steel top, construction stainless steel

- stand with one shelf
- chrome on the cooking top reduces heat loss
- stepless power regulator
- flat cooking top is easy to clean

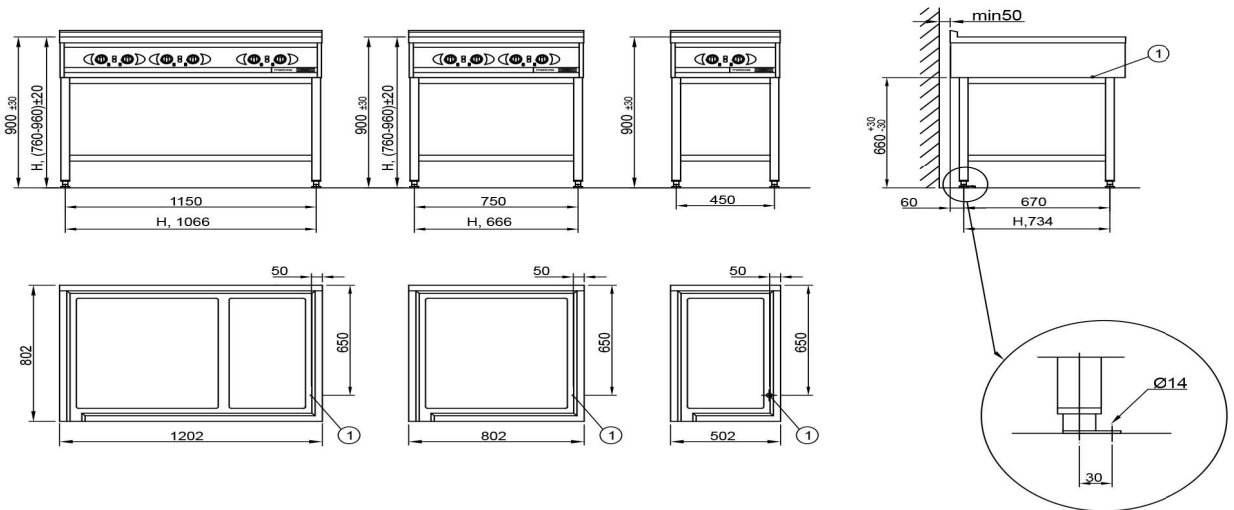
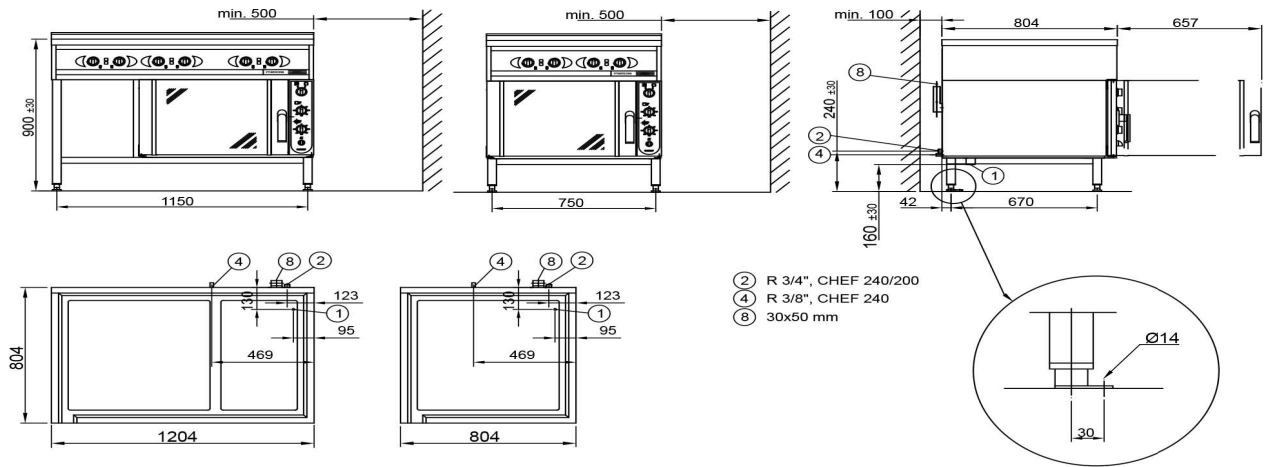


## Range Ardox S2 400V3N

Product capacity	2 cooking zones
Item width mm	500
Item depth mm	800
Item height mm	900
Package volume	0.54
Unit of volume	m3
Package volume	0.54 m3
Package length	60
Package width	90
Package height	100
Package unit of dimension	cm
Package dimensions (LxWxH)	60x90x100 cm
Net weight	58
Net weight	58 kg
Gross weight	88
Package weight	88 kg
Unit of weight	kg
Connection power kW	7
Fuse Size A	16
Connection voltage V	400/230
Number of phases	3NPE
Frequency Hz	50
Startup current A	15.2
Protection rating (IP)	X3
Type of electrical connection	Semifixed
Electrical conn. height mm	800
Remarks (electrical)	Working current 15A



**METOS ARDOX**



**METOS ARDOX TABLETOP**

