

Range + cabinet Metos Ardox S6/D 400V3N

Flat-top range with six 3,5 kW cooking zones. Chrome-steel top, construction stainless steel

- chrome on the cooking top reduces heat loss
- stepless power regulator
- flat cooking top is easy to clean
- stand with three doors

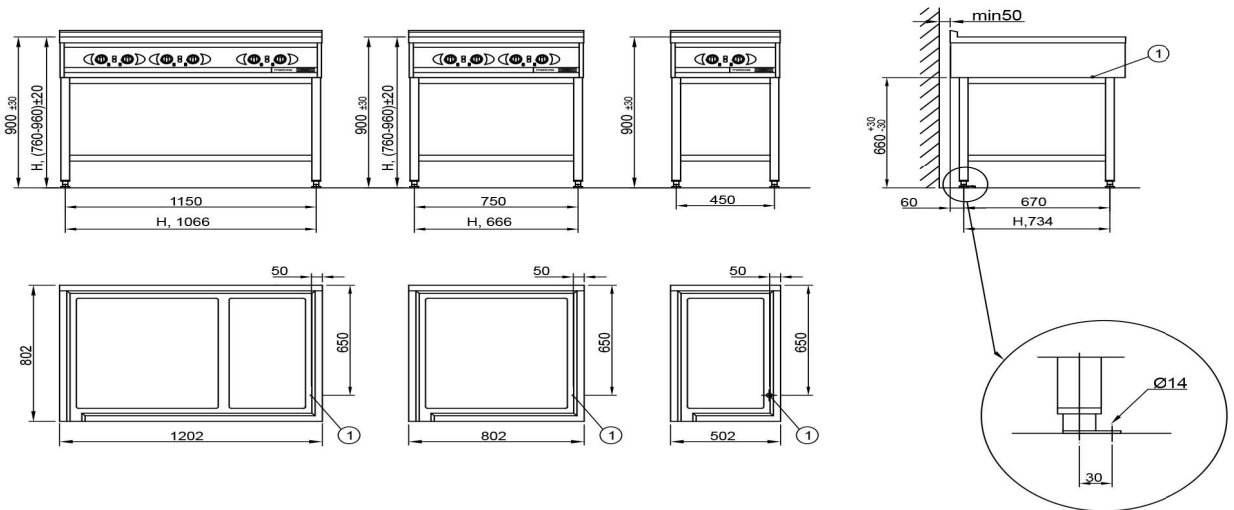
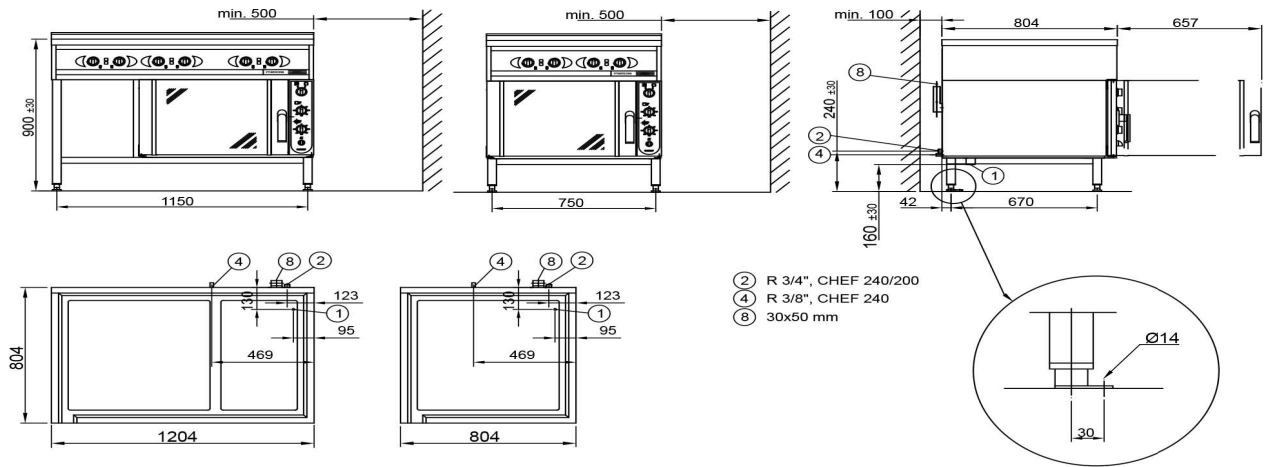


Range + cabinet Metos Ardox S6/D 400V3N

Product capacity	6 cooking zones
Item width mm	1200
Item depth mm	800
Item height mm	900
Package volume	1.17
Unit of volume	m3
Package volume	1.17 m3
Package length	130
Package width	90
Package height	100
Package unit of dimension	cm
Package dimensions (LxWxH)	130x90x100 cm
Net weight	166
Net weight	166 kg
Gross weight	221
Package weight	221 kg
Unit of weight	kg
Connection power kW	21
Fuse Size A	32
Connection voltage V	400
Number of phases	3NPE
Frequency Hz	50
Protection rating (IP)	X3
Type of electrical connection	Fixed
Electrical conn. height mm	800
Remarks (electrical)	Working current 31A



METOS ARDOX



METOS ARDOX TABLETOP

