

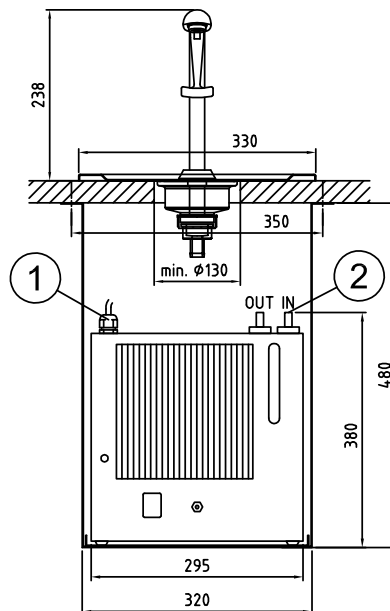
Installation on top of the table

Drop-in Water dispenser Metos D-IWD mechanical

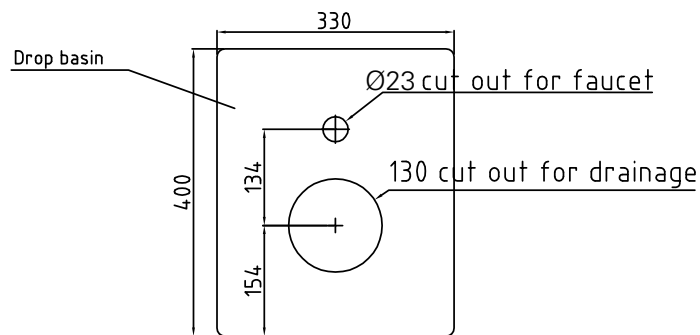
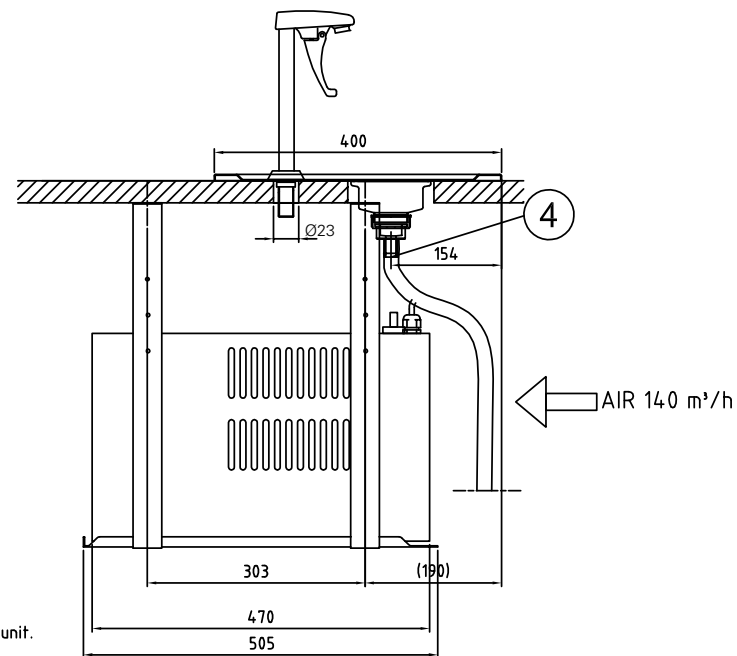
When constructing the counter, an opening for the connection cable must be considered. The opening must be at least the size of a plug (diameter min. 40 mm). In addition, the edges of the opening must be finished to make sure that the connection cable is not damaged by rubbing against the opening edge.

The counter, where drop-in units are installed, must be damp-proof and strong enough to bear the appliance weight.

Net weight:
D-IWD 28 kg



Cooling unit can also be set inside the buffet unit.
Make sure of good ventilation.



The holes to the table for
fastening the faucet and drainage.

- ① Electric connection: 230V, 1~, 0,5kW, 10A
The length of the connection cable is 3,2 m
- ② Cold water connection: R1/2", max 500 kPa
- ④ Drain: Connection for hose with 18 mm inner diameter. Hose not included in the delivery.