

# metos

## WATER DISPENSER

PROFF, NOVA, CORONA, DROP-IN

WD, WD-E, WD-N, WD-EN, WD-2, WD-E2, WD-N2, WD-EN2, D-IWD, D-IWD-E,  
D-IWD-N, D-IWD-EN, D-IWD-2, D-IWD-E2, D-IWD-N2, D-IWD-EN2

## Installation and Operation Manual

Translation of the original documentation



Rev. 3.6, Valid From: 1.2.2021, S/N 1096210201XXXX  
(16.2.2023)

4213317, 4213319, 4213321, 4213323, 4213325, 4213327, 4213329, 4213331, 4213341, 4213342, 4213343, 4213344, 4319228, 4319230, 4319232, 4319234, 4319408,  
4319410, 4319412, 4319414, 4309870, 4309872, 4309874, 4309876, 4309878, 4309880, 4309882, 4309884, 4309886, 4309888, 4309890, 4309892, 4309894, 4309896,  
4309898, 4309899, 4318878, 4318880

# TABLE OF CONTENTS

- 1. General .....3**
- 1.1. Symbols used in the manual .....3
- 1.2. Symbols used on the appliance .....3
- 1.3. Check ing the relationship of the appliance and the manual .....3
- 2. Safety .....4**
- 2.1. Safe use of the appliance .....4
- 2.2. Disposal of the appliance .....4
- 3. Functional description .....5**
- 3.1. Intended use of the appliance .....5
- 3.2. Structure and operating principle.....5
- 3.2.1. Electronic faucet (models PWD-04A-E, PWD-04A-EN, D-I WD-E, D-I WD-EN) .....5
- 4. Operating instructions .....6**
- 4.1. Operation.....6
- 4.2. After operation.....6
- 4.2.1. Cleaning the exterior surfaces.....6
- 4.2.2. Cleaning the condenser of the cooling unit (to be performed by a service technician).....6
- 4.2.3. Replacing the filter (option) (to be performed by a service technician) .....6
- 5. Installation .....7**
- 5.1. General .....7
- 5.2. Storage .....7
- 5.3. Unpacking the appliance.....7
- 5.4. Installation .....7
- 5.4.1. Opening for the drip basin (D-I models) .....8
- 5.5. Electrical connections.....9
- 5.6. Before the first start-up (refrigerated models).....10
- 5.6.1. Removing or opening the front panel of the water dispenser .....10
- 5.6.2. Filling the water tank .....10
- 5.7. Adjusting the glass filling rate (mechanical faucet).....11
- 5.8. Adjusting the electronic faucet for the glass used .....11
- 5.9. Adjusting the water flow (electronic faucet).....11
- 6. Troubleshooting.....12**
- 7. Technical specifications .....13**

## 1. General

Carefully read the instructions in this manual as they contain important information regarding proper, efficient and safe installation, use and maintenance of the appliance.

Keep this manual in a safe place for eventual use by other operators of the appliance.

The installation of this appliance must be carried out in accordance with the manufacturer's instructions and following local regulations. The connection of the appliance to the electric and water supply must be carried out by qualified persons only.

Persons using this appliance should be specifically trained in its operation.

Switch off the appliance in case of failure or malfunction. The maintenance procedures performed at certain intervals must be carried out in accordance with the given instructions. Have the appliance serviced by a technically qualified person authorized by the manufacturer and using original spare parts.

Not complying with the above may put the safety of the appliance in danger.

### 1.1. Symbols used in the manual



This symbol informs about a situation where a safety risk might be at hand. Given instructions are mandatory in order to prevent injury.



This symbol informs about the right way to perform in order to prevent bad results, appliance damages or hazardous situations.



This symbol informs about recommendations and hints that help to get the best performance out of the appliance.



This symbol explains the importance of careful and regular cleaning of the machine to meet hygiene requirements.

### 1.2. Symbols used on the appliance



This symbol on a part informs about electrical terminals behind the part. The removal of the part must be carried out by qualified persons only.

### 1.3. Check ing the relationship of the appliance and the manual

The refrigerant in the appliance must first be checked on the rating plate of the appliance.

The rating plate of the appliance indicates the serial number of the appliance. If the manuals are missing, it is possible to order new ones from the manufacturer or the local representative. When ordering new manuals it is essential to quote the serial number shown on the rating plate.

## 2. Safety

### 2.1. Safe use of the appliance



The appliance must be connected to an earthed socket.



When moving or servicing the appliance, always unplug it from the power supply.



#### **WARNING**

**The refrigerant and charge is declared on the rating plate. Refrigerant R290 (propane) is highly flammable. Handle equipment that contains R290 with extra care.**



Under no circumstances should the value set at the factory of the refrigeration unit be set colder. Changing the setpoint can cause the refrigeration unit to freeze and the actuators connected to it, such as the taps, to break. At worst, water damage can result. "



Modifying the equipment without the approval of the manufacturer invalidates the manufacturer's product liability.



Dangerous situations may arise if the given instructions are not followed.



**The manufacture declines all responsibility for any operations carried out on the appliance without following the instructions in this manual.**

### 2.2. Disposal of the appliance

The appliance contains parts and components, the disposal of which requires special treatment. Contact local authorities to obtain instructions on how to dispose of the appliance.

### 3. Functional description

#### 3.1. Intended use of the appliance

The device is intended for dispensing drinking water.  
Refrigerated models are also intended for cooling drinking water.

#### 3.2. Structure and operating principle

WD, WD-E, WD-N, WD-EN, WD-2, WD-E2, WD-N2, WD-EN2 are free-standing models and designed to be situated in a serving line.

Models D-I WD ,D-I WD-E, D-I WD-N, D-I WD-EN, D-I WD-2, D-I WD-E2, D-I WD-N2, D-I WD-EN2 are delivered without an outer casing and are designed for insertion into a line structure.

The top has a faucet and a basin with a drain for drip water.

##### 3.2.1. Electronic faucet (models PWD-04A-E, PWD-04A-EN, D-I WD-E, D-I WD-EN)

The faucet is turned on and off by means of a solenoid valve actuated by a photocell.  
When a glass is held within the photoce ll's sensing range, the solenoid valve opens and water starts to flow. The faucet turns off automatically after the adjusted flow period. The faucet works best with a flat-bottomed glass.

## 4. Operating instructions

### 4.1. Operation

Mechanical faucet: Push the lever with a glass.

Electronic faucet: Hold a glass under the faucet.

### 4.2. After operation

#### 4.2.1. Cleaning the exterior surfaces



Clean the stainless steel surfaces with neutral, liquid detergents. Abrasive or corrosive agents must not be used.

#### 4.2.2. Cleaning the condenser of the cooling unit (to be performed by a service technician)

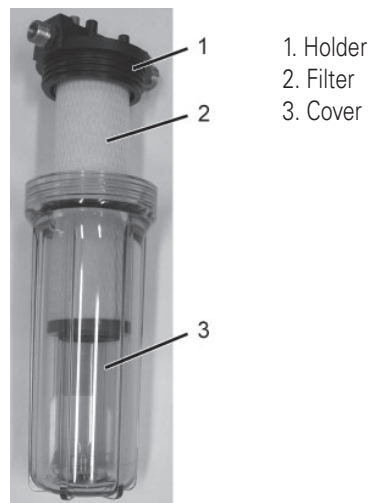


Disconnect the appliance from the power supply before cleaning the condenser.

Depending on circumstances, the condenser should be cleaned once a year or more often, if necessary. Condenser clogging is apparent when compressor running times get longer, the cooling effect decreases and the condensing temperature rises. Finally, condenser clogging can damage the compressor. It is recommended to clean the condenser by vacuuming. If you clean the condenser with a brush, clean with a dry brush and be careful not to damage the fins inside the condenser.

#### 4.2.3. Replacing the filter (option) (to be performed by a service technician)

If the appliance is supplied with an optional filter, we recommend replacing it at the intervals of 4800 litres or once the filter is clogged. The filter is clogged when the water output starts to decrease and the water flow becomes weaker. Depending on the frequency of use, the filter should be replaced approximately every six months.



Cut off the incoming water and run water from the faucet to release the pressure. Screw the cover (3) off the holder (1). Remove the old filter (2). Insert a new filter inside the cover and screw the cover (3) to the holder (1).

## 5. Installation

### 5.1. General

The appliance is designed to function in locations with temperatures of 10°C to 30°C.

The appliance must not be installed close to appliances that generate heat, e.g. ranges.



If the water pressure at the installation site **exceeds 5 bar**, the device's water connection must be equipped with a pressure reducing valve

### 5.2. Storage

The appliance should be stored in a dry place, at a temperature over +1°C. If the appliance has been exposed to a temperatures below 0°C, it must be drained (allowed to melt). After melting, before taking the appliance into use, make sure that there is no damage to or leakage in piping.



Electronic faucet: It is essential to take care that water in the faucet and solenoid valve does not freeze.

### 5.3. Unpacking the appliance

The appliance should be transported to the installation site in its transport package. Do not remove packing until just before installation to prevent dust in the installation place from damaging the appliance. The appliance should be stored and transported in an upright position.

### 5.4. Installation

The appliance should be placed in a well ventilated room. Avoid placing the appliance in direct sunlight.

The appliance must be installed in a vertical position with an accuracy of  $\pm 3^\circ$ . Greater skewness may cause malfunctions.

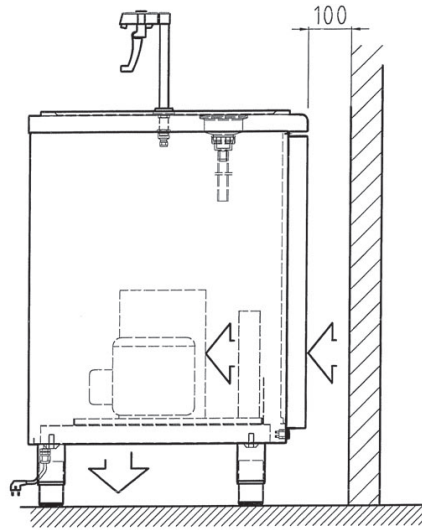
When installing D-I models care must be taken that the machinery is not positioned directly on the floor, but an air gap of at least 10 cm is left between the machinery and the floor. This is to make sure that water, possibly dripping onto the floor, would not damage the electrical components of the machinery and cause hazardous situations.

The compressor is equipped with damping of vibrations, but in some cases vibrations can transfer to other structures. A rubber mat placed under the appliance can absorb vibrations and noise (needed in special cases only).

The thermostat has been set at the factory for ordinary operating circumstances.

When installing refrigerated D-I models, special attention must be paid to condenser air circulation. Make sure that the condenser air inlet is not blocked and that warm air can freely exit the compressor compartment. The temperature of inlet air is of crucial importance to the cooling effect of the appliance.

Ensure sufficient air inlet/air circulation for the condenser.

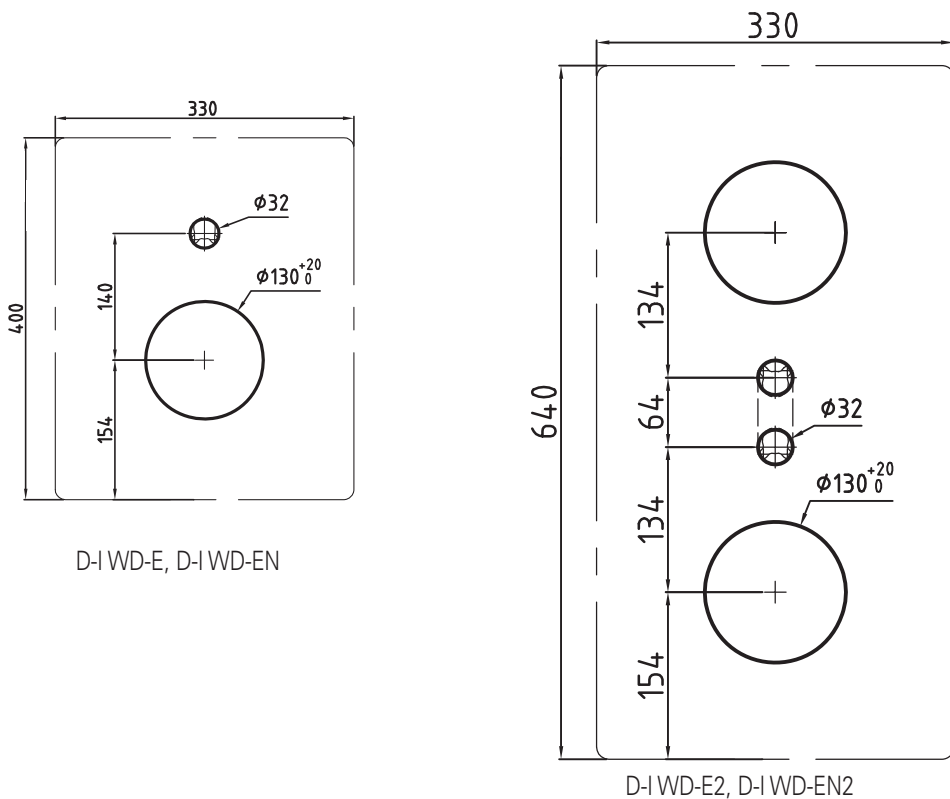


Condenser air circulation

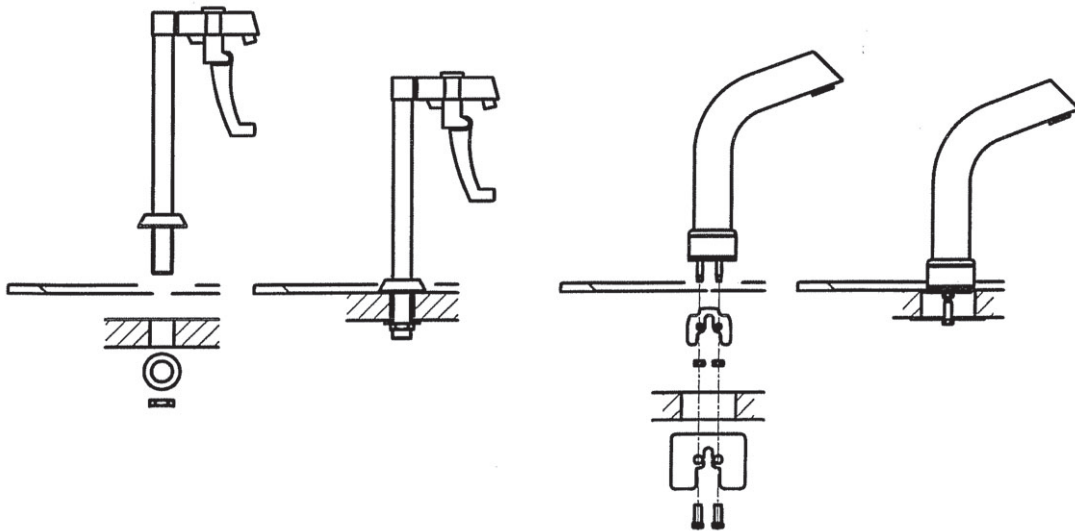
Do not mount the condenser on a closed plinth, as this will prevent condenser air circulation. Air venting takes place below the appliance and air intake at the front. Do not block the condenser air inlets.

**5.4.1. Opening for the drip basin (D-I models)**

An opening must be made for the drip basin on the table top. The water cooler is installed inside the counter. The necessary openings are marked on the pictures with solid lines and the shape of the drip basin with broken lines.







Fixing the mechanical faucet

Fixing the electronic faucet

Make a water connection between the faucet and the water cooler. Installation sequence:

1. Assemble the faucet
2. Attach the faucet to the drip basin
3. Attach the pipe connector to the faucet
4. Attach the pipe connector to the machinery outlet
5. Connect the faucet and the machinery outlet with a CU-pipe  $\varnothing$  10 mm (not included in delivery)



Connect the water cooler only to a cold water supply. A pressure reducer is needed if the water supply pressure is above 5 bar. The connection of the appliance to the water supply must be carried out by qualified persons only.

NOTE. Do not remove the spacer ring of the electronic faucet during installation!

## 5.5. Electrical connections

The appliance is designed to function in the electrical power network 1/N/PE AC 230V 50Hz. Connect the appliance to the power supply with an earthed socket.

### 5.6. Before the first start-up (refrigerated models)



**The water tank of the refrigerated water dispenser must be filled before the first start-up.**



Note: The water tank must be filled separately. It is not filled even if the device is connected to the water supply network. The water level in the tank can be seen from the water filling tube on the front panel of the machine. The capacity of the tank is approx. 9 l. Do not overfill the tank.

#### 5.6.1. Removing or opening the front panel of the water dispenser



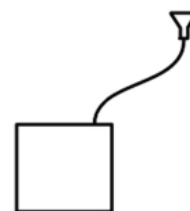
The front panel of the water dispenser must be removed or opened to access the machine's water filling pipe.

<p><b>Proff:</b> Remove the front panel of the water dispenser by removing the inset screws (4 pcs) from the edges of the front panel. Use a Ø3 mm Allen key.</p> 	<p><b>Nova:</b> Open the water dispenser door to the open position.</p> 	<p><b>Corona:</b> Open the water dispenser door to the open position.</p> 	<p><b>Drop-In:</b> The water tank of the Drop-In water dispenser can be filled before it is installed in place, if it facilitates the filling.</p> 
--	--	---	---

#### 5.6.2. Filling the water tank

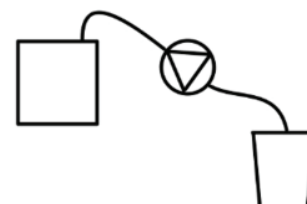
**Proff, Nova ja Drop-In:**

Place a small funnel in the water filling tube with an inner diameter of 9 mm.  
Fill the water tank.  
The Drop-In water dispenser water tank can be filled before it is installed on site, if it facilitates the filling.  
Attach or close the front panel of the water dispenser depending on the water dispenser model.



**Corona:**

Attach the water fill pipe that goes to the water dispenser and the pipe that comes from the bucket to the drill pump.  
Attach the cordless drill to the drill pump.  
Fill the water tank.  
Close the front panel of the water dispenser.



### 5.7. Adjusting the glass filling rate (mechanical faucet)



Water filling rate can be adjusted with the help of a screw (1) located on top of the faucet by turning the screw with a screwdriver.

If, after installation, some air comes out of the faucet, allow water to run until no air is coming and the water is clear.

### 5.8. Adjusting the electronic faucet for the glass used

To be performed by an authorised service technician or installer.

### 5.9. Adjusting the water flow (electronic faucet)

To be performed by an authorised service technician or installer.

## 6. Troubleshooting

In case the appliance does not function as expected, review the following list of problems to find out if the appliance can be put in order without a service call. In this way you can avoid unnecessary service calls and costs. In all enquiries, please contact the nearest Metos service. Most problems can be managed on the phone.

POBLEM	POSSIBLE CAUSE	ACTION
No water comes out of the faucet	Water line obstructed (faucet is closed)	Open the faucet
	Not enough water in the tank	Check and fill
Too little water coming	Filter (option) clogged (water flow gradually decreases)	Call service to change the filter (see section 4.2.3.)
	<b>Mechanical faucet:</b> The flow is set too low <b>Electronic faucet:</b> The flow time is set incorrectly	<b>Mechanical faucet:</b> Adjust the flow correctly. <b>Electronic tap:</b> Call service. The maintenance company adjusts the flow time correctly.
Too much water coming	<b>Mechanical tap:</b> The flow is set incorrectly <b>Electronic faucet:</b> The flow time is set incorrectly	<b>Mechanical faucet:</b> Adjust the flow correctly. <b>Electronic tap:</b> Call service. The maintenance company adjusts the flow time correctly.
	Water is warm	Power cable is not properly plugged in the socket
Defective fuse		Replace the fuse
Condenser covered by dust		Call service to clean the condenser (see chapter 4.2.2).
Defective thermostat		Call the service
Defective compressor		Call the service
	The cooler is installed in a too warm environmet or otherwise not suitable location	Call the service



The appliance does not contain parts that can be serviced by the user. Service must be carried out by an authorised service company.

## 7. Technical specifications

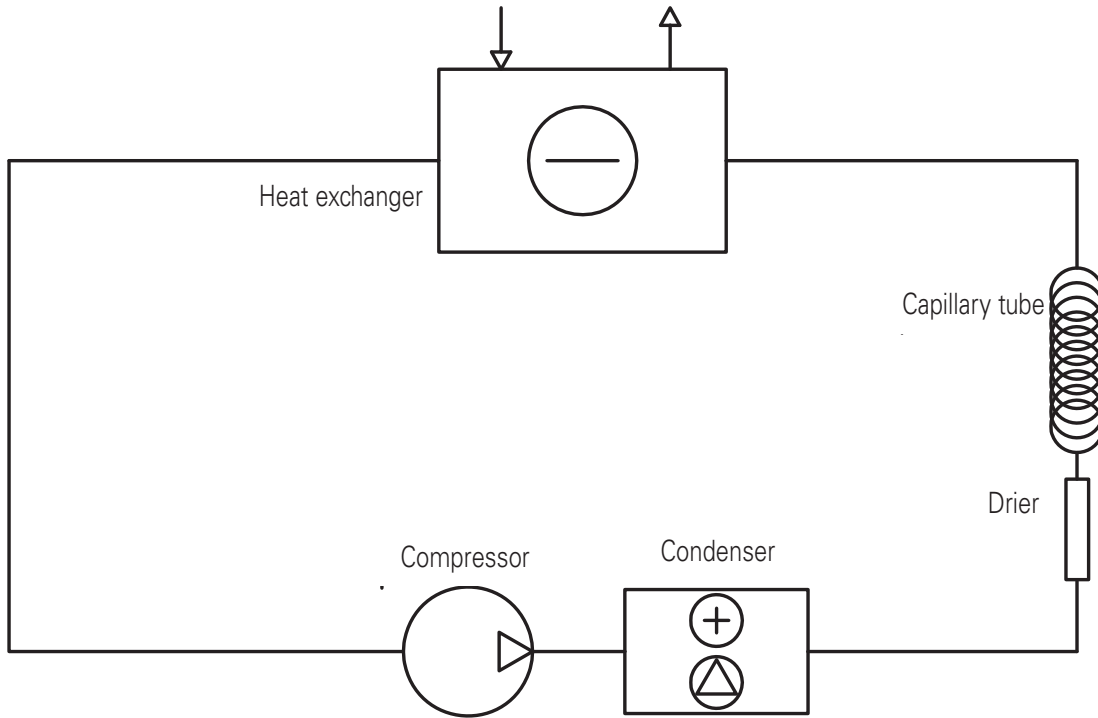
**Refrigeration circuit diagram**

**Connection diagram S00354 B 3, p. 1/2 (Mechanical faucet)**

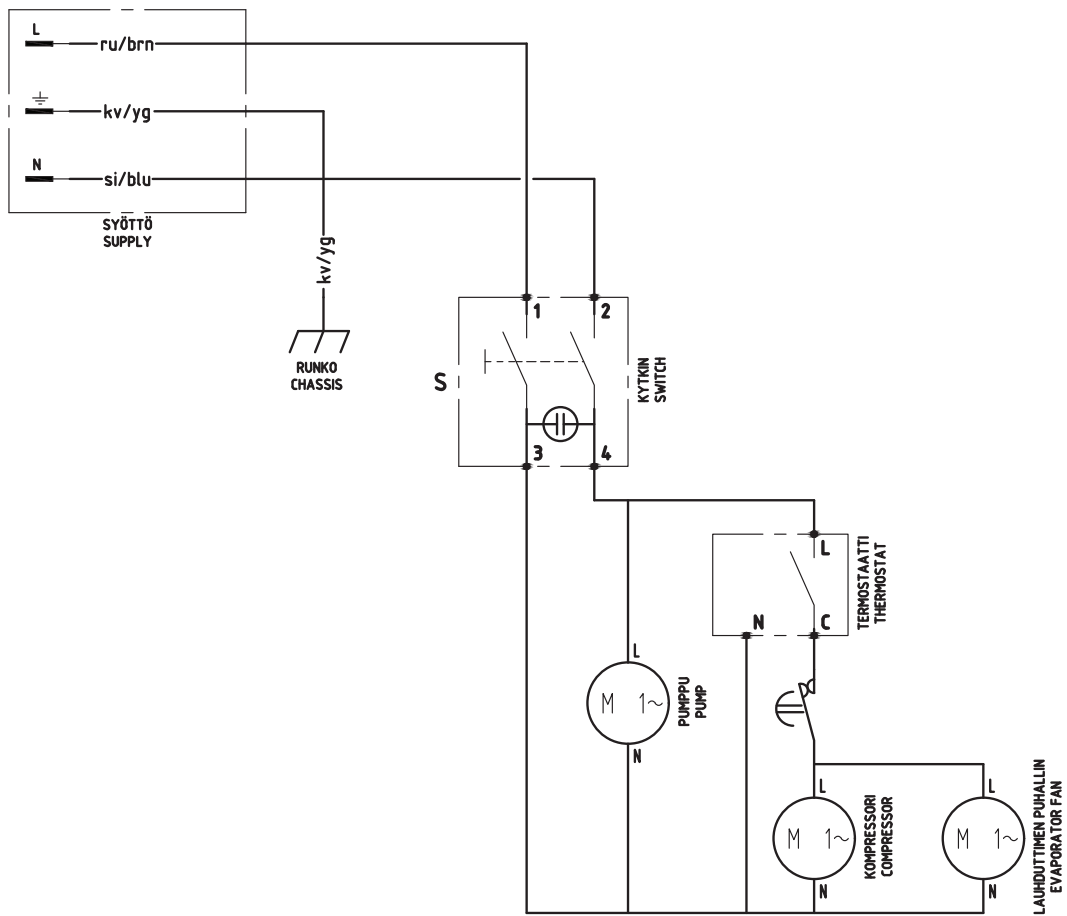
**Connection diagram S00354 B 3, p. 2/2 (Electronic faucet)**

**Dimensions, machinery**

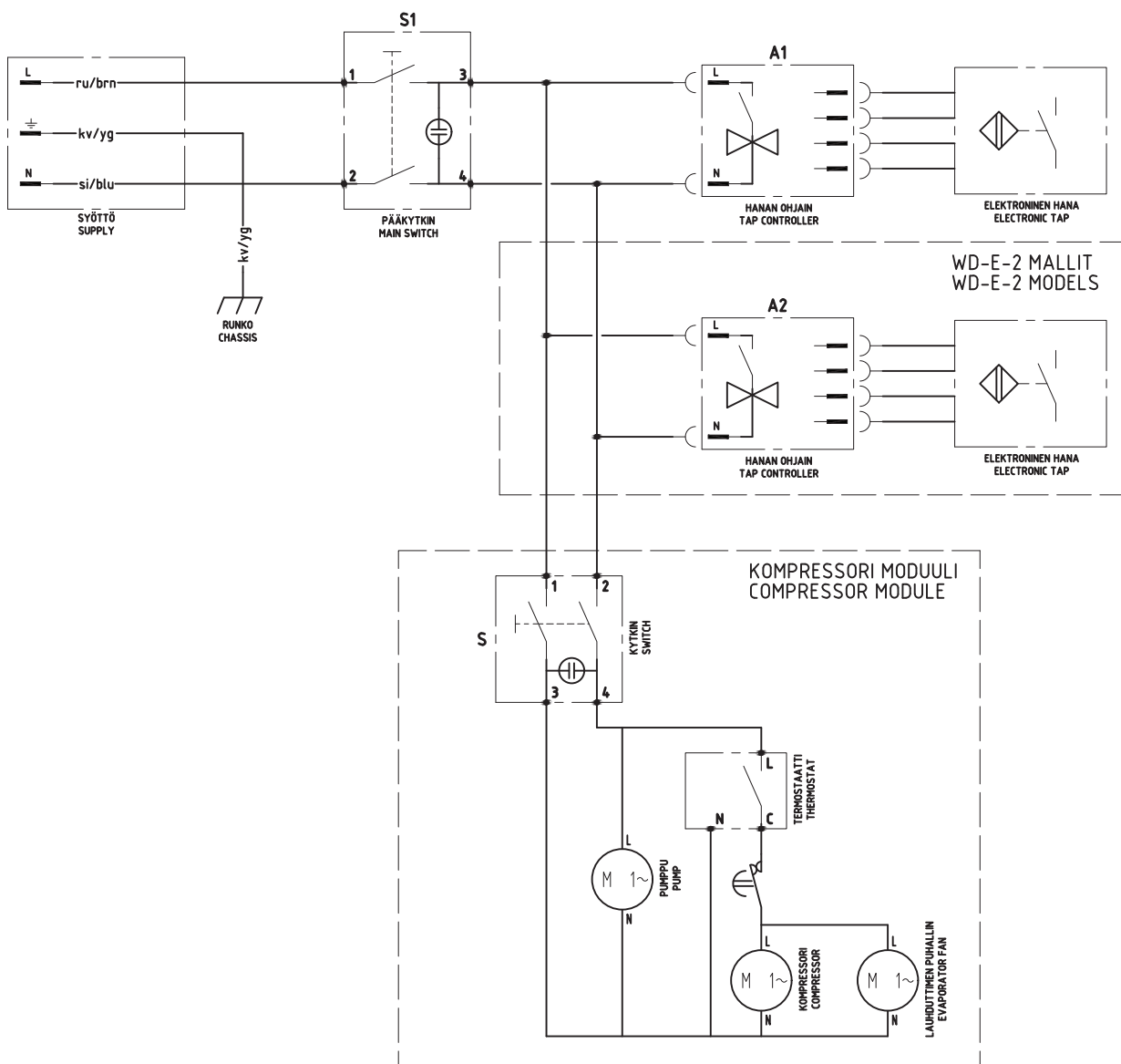
**Installation drawing**



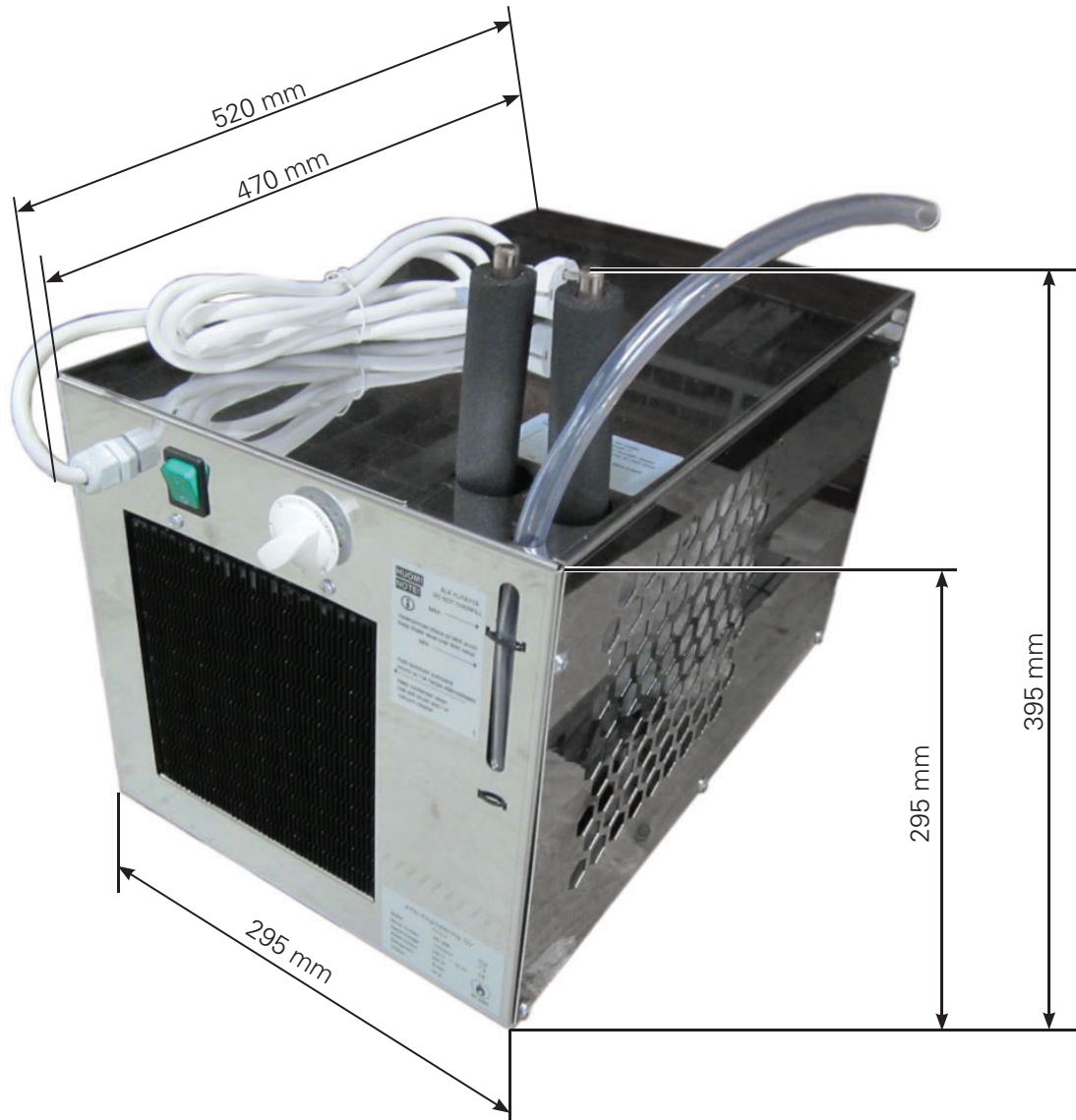
Refrigeration circuit diagram



Connection diagram SS00354 B 3, p. 1/2 (Mechanical faucet)

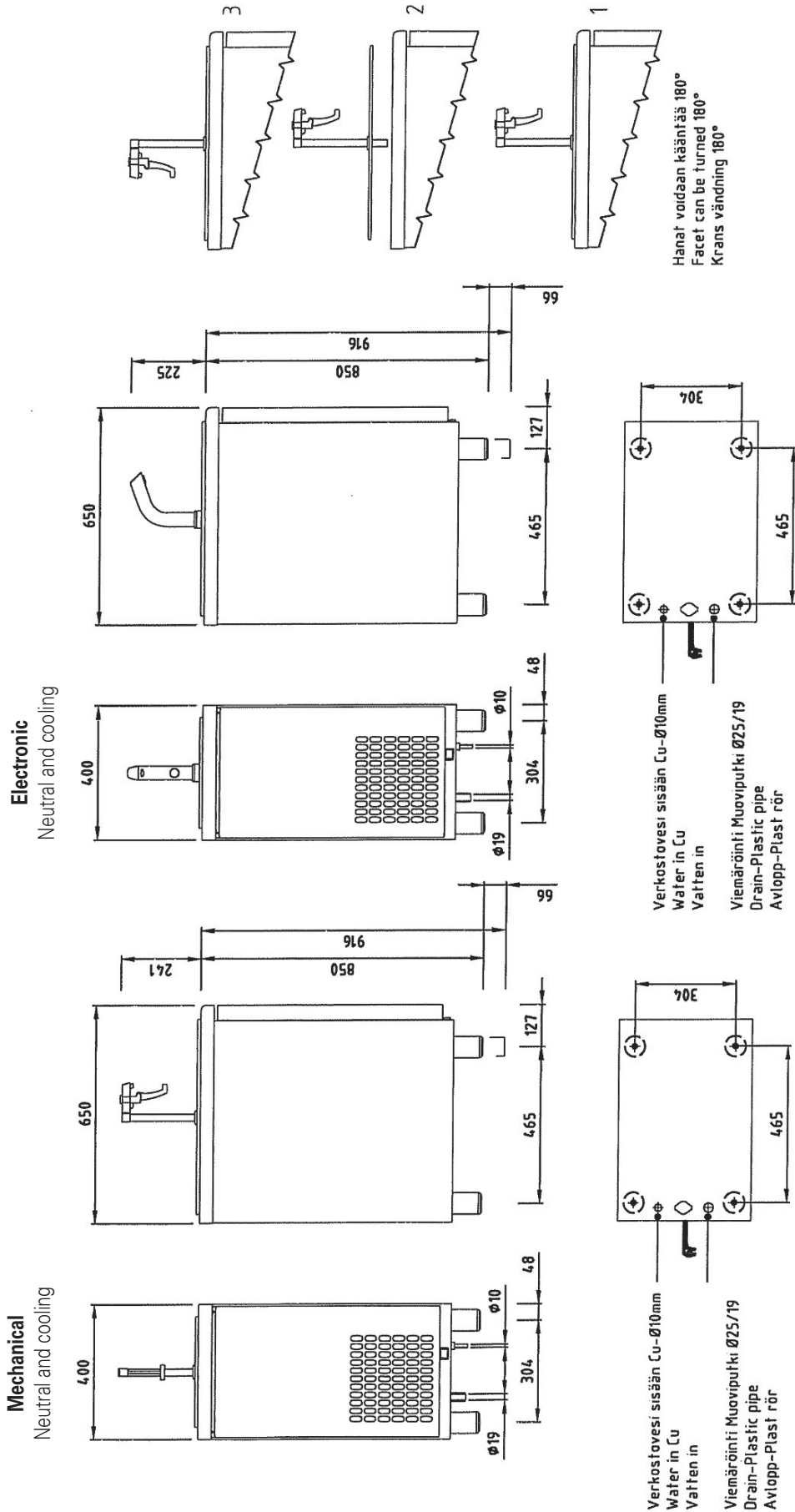


Connection diagram S00354 B 3, p. 2/2 (Electronic faucet)



Dimensions, machinery






203709

Installation drawing

ITEM	TYPE	SPECIFICATION
Electric connection	Cooling and electronic	1/N/PE AC 230V 50Hz
Power input	Cooling and electronic	0,16 kW
Extraction capacity	Cooling	180 W, +7°/54°
Exterior	Cooling	R290
Ulkovuoraus	All	Stainless steel
Control unit	Cooling	Thermostat
Capacity		40 litres / hour
Drain		Floor drain
Water connection		Cold water, max. 5 bar
Sensing range	Electronic	preset, range 0-40 cm



The crossed-out wheeled bin means that within the European Union the product must be taken to separate collection at the product end-of life. This applies to your device but also to any enhancements marked with this symbol. Do not dispose of these products as unsorted municipal waste.

Valmistajan nimi / Tillverkarens namn / Manufacturer's name

METOS OY AB

Osoite / Adress / Address

04220 KERAVA  
FINLAND

Vakuuttaa, että seuraava tuote / Försäkrar att följande produkt / Declare that the following product

Nimi, tyyppi tai malli / Namn, typ eller modell / Name, type or model

Vesijakelin / Vatten dispenser / Water dispenser, Proff / Classic / Nova / Corona Drop-in

on seuraavien direktiivien asiaankuuluvien säännösten mukainen / överensstämmer med tillämpliga bestämmelser i följande direktiv / is in conformity with the relevant provisions of the following directives

MD 2006/42/EC, LVD 2014/35/EU, EMC 2014/30/EU, RoHS 2011/65/EC, WEEE 2012/19/EU, ATEX 2014/34/EU

ja lisäksi vakuuttaa, että seuraavia yhdenmukaistettuja standardeja (tai niiden osia/kohtia) on sovellettu / och försäkrar dessutom att följande harmoniserade standarder (eller delar/paragrafer) har använts / and furthermore declares that the following harmonised standards (or parts/clauses) have been used

EN 61000-6-3: 2007  
EN 61000-6-1: 2016  
EN ISO 12100:2010  
EN 60079-15:2019

ja lisäksi vakuuttaa, että seuraavia muita standardeja (tai niiden osia/kohtia) on sovellettu / och försäkrar dessutom att följande andra standarder (eller delar/paragrafer) har använts / and furthermore we declare that the following other standards (or parts/clauses) have been used

EN 60204-1: 2018

Tuotteen suunnitelmatarkestustodistus ja laatujärjestelmää valvova ilmoitettu laitos (vain painelaitteet)  
Produktens konstruktionskontrollcertifikat och anmält organ, som övervakar kvalitetssystemet (endast tryckkärl)  
Product design examination certificate and the notified body supervising the quality system (only pressure vessels)

Alla mainittu henkilö on valtuutettu kokoamaan teknisen tiedoston / Nedan nämnda person är bemyndigad att sammanställa den tekniska dokumentfilen / The person mentioned below is authorized to compile the technical file

Risto Koskelainen

Metos Oy Ab, Ahjonkaarre, 04220 Kerava, Finland

Tämä vaatimustenmukaisuusvakuutus on annettu valmistajan yksinomaisella vastuulla. Edellä kuvattu vakuutuksen kohde on unionin asiaankuuluvan yhdenmukaistamislainsäädännön vaatimusten mukainen.

Denna EU-försäkran om överensstämmelse utfärdas på tillverkarens eget ansvar. Föremålet för försäkran ovan överensstämmer med den relevanta unionslagstiftningen om harmonisering.

This declaration of conformity is issued under the sole responsibility of the manufacturer. The object of the declaration described above is in conformity with the relevant Union harmonisation legislation

Antopaikka ja päivä / Utfärdad på ort och datum / Place and date of issue

KERAVA

14.02.2022

Vakuutuksen antajan nimi ja asema / Namn och befattning av personen som försäkrar / Name and title of declaring person

  
Hannu Ahola – Director of Business Unit

  
Marko Immonen – R&D Manager



**Metos Oy Ab**

Ahjonkaarre FI-04220 Kerava, Finland

tel. +358 204 3913

[www.metos.com](http://www.metos.com)