

Water Dispenser Metos Drop-In WD-E

Drop-in model to be palced into the furniture. Powerful cold machine

- electrical faucet
- drain in top plate
- delivery doesn't include connection from cold machine to faucet



Water Dispenser Metos Drop-In WD-E

Product capacity	60 litre / hour
Item width mm	330
Item depth mm	400
Item height mm	15
Package volume	0.11
Unit of volume	m3
Package volume	0.11 m3
Package length	50
Package width	55
Package height	40
Package unit of dimension	cm
Package dimensions (LxWxH)	50x55x40 cm
Net weight	29
Net weight	29 kg
Gross weight	29
Package weight	29 kg
Unit of weight	kg
Connection power kW	0.5
Fuse Size A	10
Connection voltage V	230
Number of phases	1NPE
Frequency Hz	50/60
Startup current A	2.2
Protection rating (IP)	43
Electrical cable length mm	3200
Type of electrical connection	Plug
Remarks (electrical)	EL.faucet,semi-fixed,1N,230V
Cold water diam.	R1/2"
Cold water max pressure kPa	500

Water Dispenser Metos Drop-In WD-E

Drain diameter	R1/2"
Type of the refrigerant	R290
Quantity of refrigerant g	60

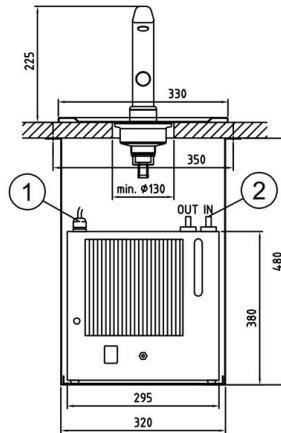
Installation on top of the table

Drop-in Water dispenser Metos D-IWD-E electronic

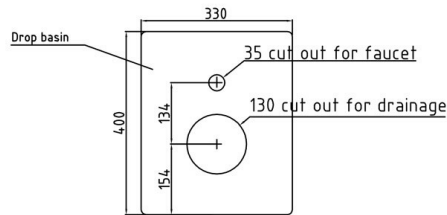
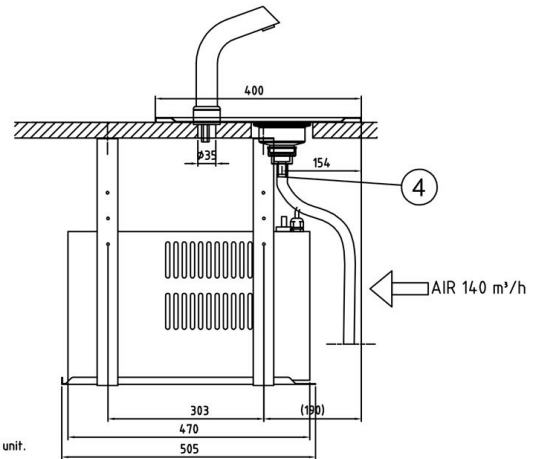
When constructing the counter, an opening for the connection cable must be considered. The opening must be at least the size of a plug (diameter min. 40 mm). In addition, the edges of the opening must be finished to make sure that the connection cable is not damaged by rubbing against the opening edge.

The counter, where drop-in units are installed, must be damp-proof and strong enough to bear the appliance weight.

Net weight:
D-IWD-E 29 kg



Cooling unit can also be set inside the buffet unit.
Make sure of good ventilation.



The holes to the table for
fastening the faucet and drainage.



The electrical box of the electronic faucet has to be fixed inside the counter. Please note the water connection which is connected to the electrical box.

- ① Electric connection: 230V, 1~, 0,5kW, 10A
The length of the connection cable is 3,2 m.
- ② Cold water connection: R1/2", max 500 kPa
- ④ Drain: Connection for hose with 18 mm inner diameter. Hose not included in the delivery.

This document may not be copied in part or in whole by any process nor passed on to a third party without the written permission of the owner Metos Oy Ab.