

Water Dispenser Metos Drop-In WD-N2

Two-sided drop-in model to be palced into the furniture. Two mechanical faucets

- drain in top plate
- neutral without cold machine



Water Dispenser Metos Drop-In WD-N2

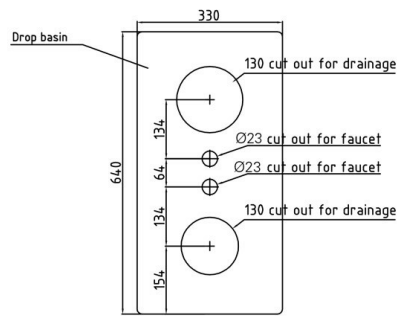
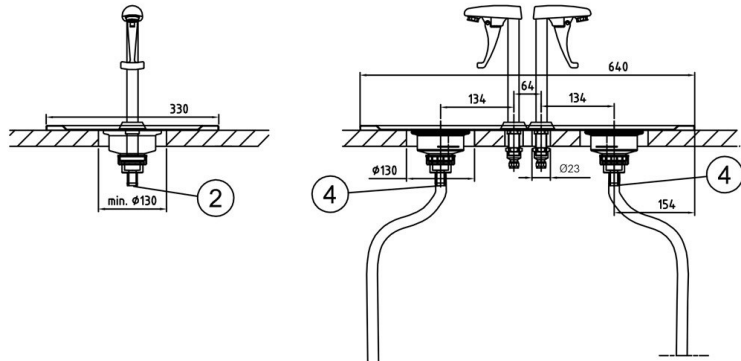
Product capacity	60 litre / hour
Item width mm	330
Item depth mm	640
Item height mm	15
Package volume	0.013
Unit of volume	m3
Package volume	0.013 m3
Package length	38
Package width	70
Package height	5
Package unit of dimension	cm
Package dimensions (LxWxH)	38x70x5 cm
Net weight	4
Net weight	4 kg
Gross weight	5
Package weight	5 kg
Unit of weight	kg
Cold water diam.	R1/2"
Cold water max pressure kPa	500
Drain diameter	R1/2"

Installation on top of the table

**Drop-in Water dispenser
Metos D-IWD-N-2 mechanical**

The counter, where drop-in units are installed, must be damp-proof and strong enough to bear the appliance weight.

Net weight:
D-IWD-N-2 4 kg



The holes to the table for fastening the faucet and drainage.

- ② Cold water connection: R1/2", max 500 kPa
- ④ Drain: Connection for hose with 18 mm inner diameter. Hose not included in the delivery.

This document may not be copied in part or in whole by any process nor passed on to a third party without the written permission of the owner Metos Oy Ab.