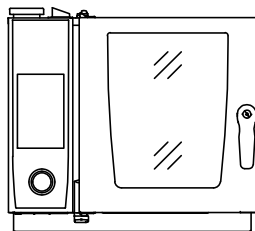
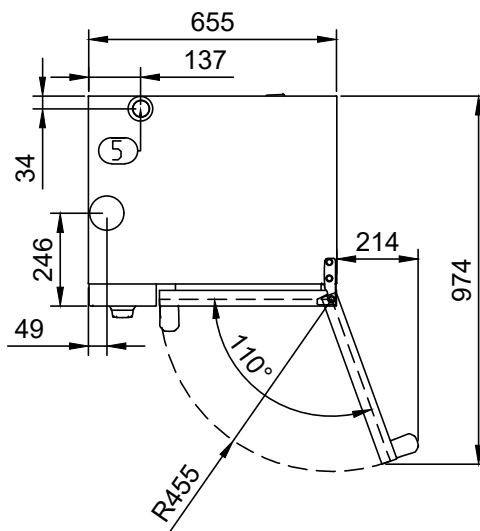
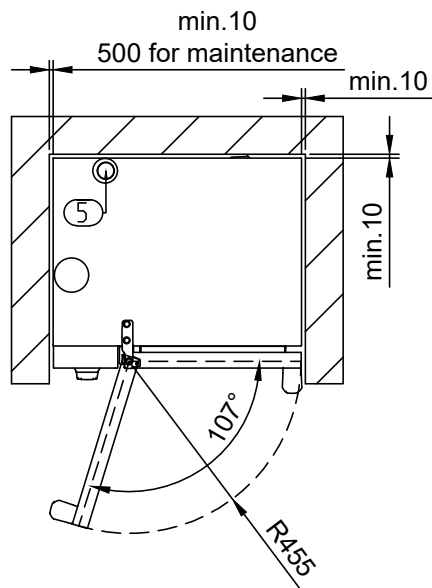
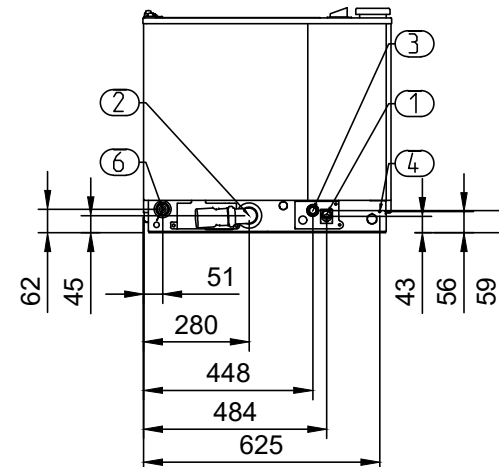
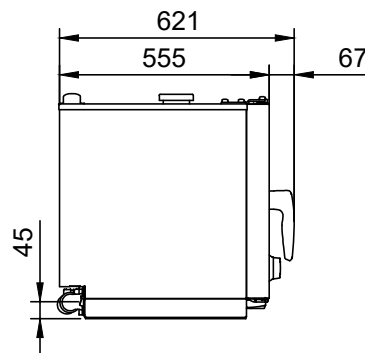
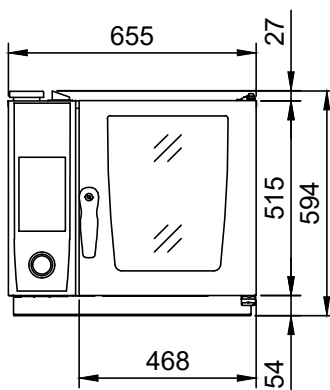


Left hinged door



Right hinged door



- 1 Cold water connection: R 3/4" male, pressure 100 - 600 kPa (300kPa recommended)
- 2 Drain connection: DN 40 mm pipe
- 3 Electrical connection: Semifixed, 2,5 m cable without plug
- 4 Equipotential bonding
- 5 Vent pipe
- 6 Ethernet interface