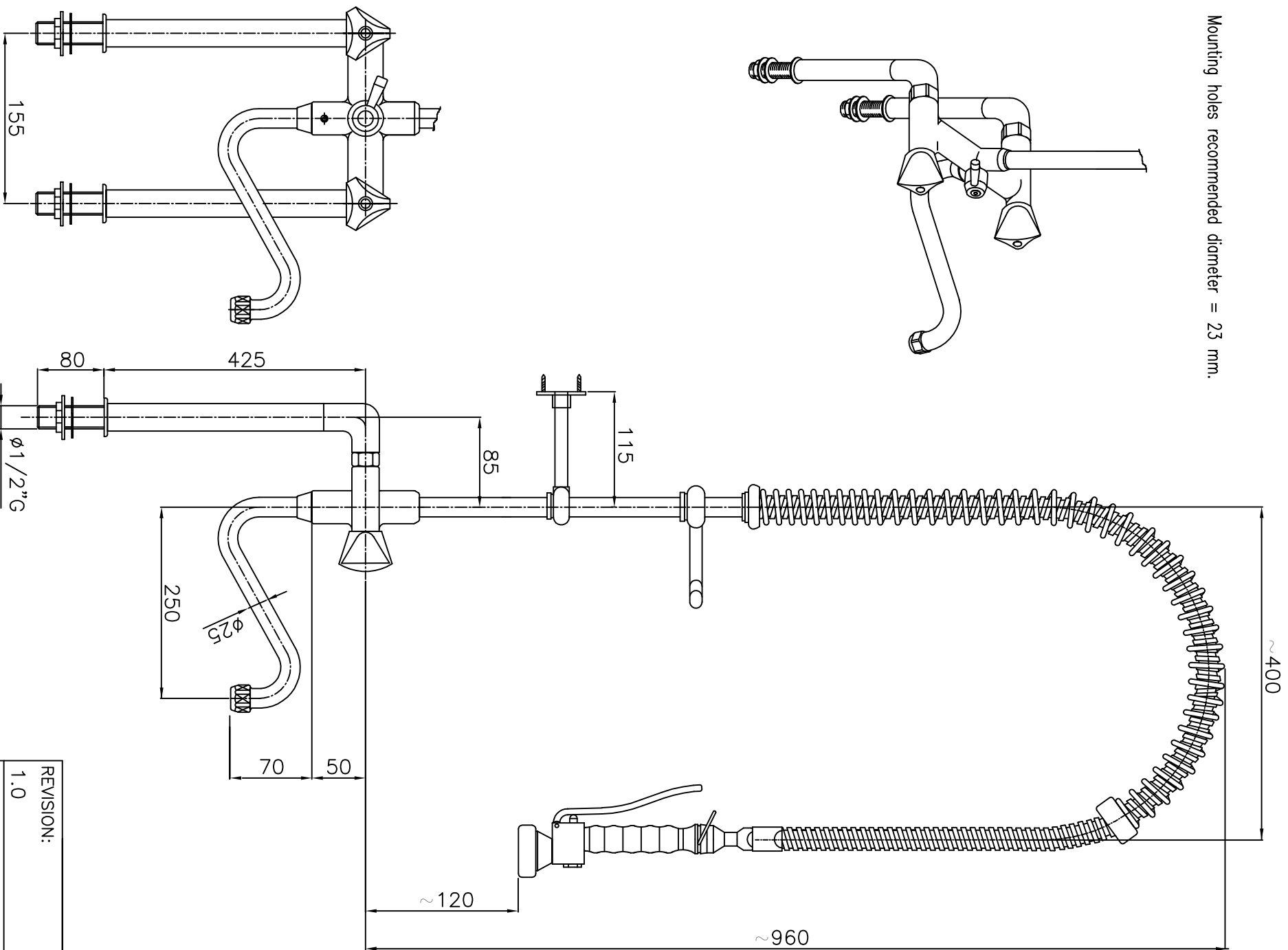
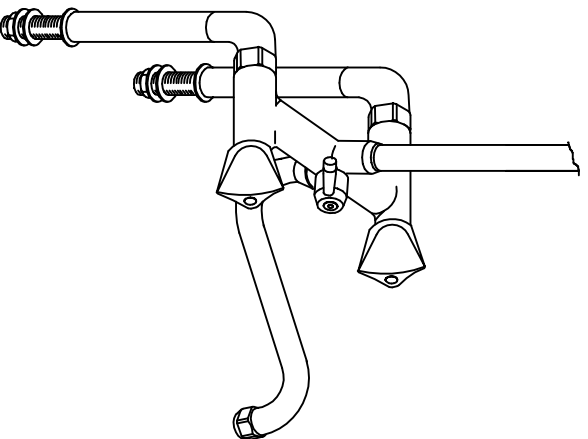


Mounting holes recommended diameter = 23 mm.



DESCRIPTION:

Heavy-duty bench-mount Pre-Rinse System

MOD.  
EUROP-3P

Product Code  
2E.3030.BK.13

Former Product Code: ---

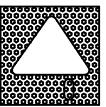
REVISION:  
1.0

LAST REVIEW:  
20081217

VALIDITY:  
---

DRAWING No.  
---

Source Drawings:  
2022



**KLARCO**

SRL

Via Mastress 7  
33080 SAN QUIRINO(PN)-ITALY  
Tel. +39-0434-919422  
Fax +39-0434-919494

Complete and/or partial reproduction of this document is strictly prohibited without the express written consent of KLARCO s.r.l. - All contents Copyright (c) 2008 KLARCO s.r.l. - All rights reserved