

Pre-wash shower Metos TM3050table-mount.2-hand

Table attached prewash sprayer. Starts automatically when the handle is pushed down

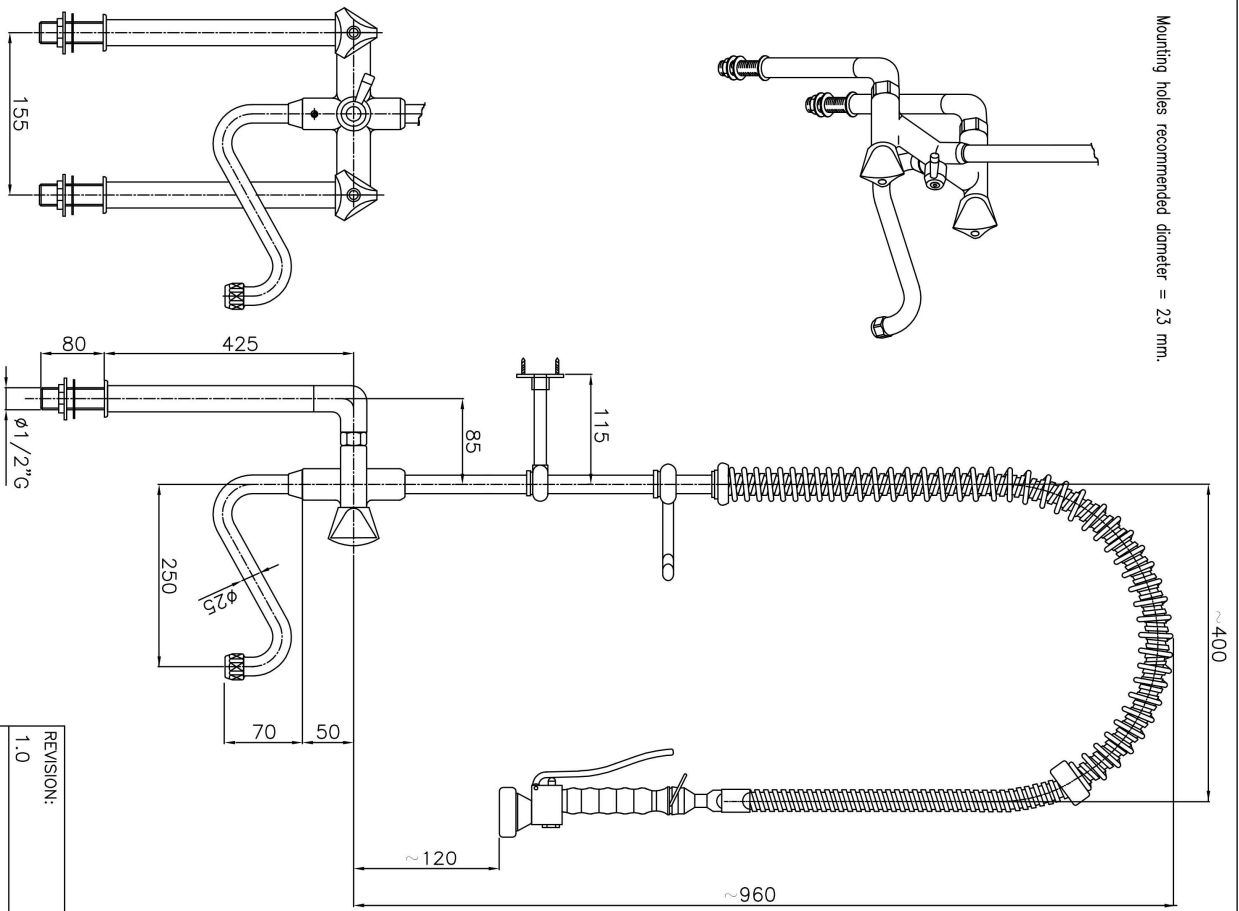
- mixer
- running pipe
- installation kit



Pre-wash shower Metos TM3050table-mount.2-hand

Item width mm	800
Item depth mm	210
Item height mm	120
Package volume	0.02
Unit of volume	m3
Package volume	0.02 m3
Package length	80
Package width	21
Package height	12
Package unit of dimension	cm
Package dimensions (LxWxH)	80x21x12 cm
Net weight	9
Net weight	9 kg
Gross weight	10
Package weight	10 kg
Unit of weight	kg
Cold water diam.	1/2"
Cold water flow l/min	40
Cold water min pressure kPa	300
Hot water diam.	1/2"

Mounting holes recommended diameter = 23 mm.



KIARCO

Via Marzetta 7
35080 SAN GIUGUINO (PD) ITALY
Tel. +39-0434-319444
Fax +39-0434-319494

DESCRIPTION:
Heavy-duty bench-mount Pre-Rinse System

MOD. EUR0P-3P
Product Code 2E.3030.BK.13
Former Product Code: ---

REVISION:
1.0

LAST REVIEW:
20081217

VALIDITY:

DRAWING No.

Source Drawing: 2022

Complete and/or partial reproduction of this document is strictly prohibited without the express written consent of KIARCO s.r.l. - All contents Copyright (c) 2008 KIARCO s.r.l. - All rights reserved