

# Water heater Metos WKI 40n 400V3N~

All model. Olume 40



## Water heater Metos WKI 40n 400V3N~

Product capacity	90 litres/hour
Item width mm	D388
Item depth mm	685
Package volume	0.267
Unit of volume	m3
Package volume	0.267 m3
Package length	87
Package width	58
Package height	53
Package unit of dimension	cm
Package dimensions (LxWxH)	87x58x53 cm
Net weight	21
Net weight	21 kg
Gross weight	22
Package weight	22 kg
Unit of weight	kg
Connection power kW	9.6
Fuse Size A	16
Connection voltage V	400
Number of phases	3NPE
Frequency Hz	50
Type of electrical connection	Semifixed
Electrical conn. height mm	25
Remarks (electrical)	P
Cold water diam.	3/4"
Cold water min pressure kPa	200
Cold water conn. height mm	30
Raw material	stainless steel
Cleaning	hand wash

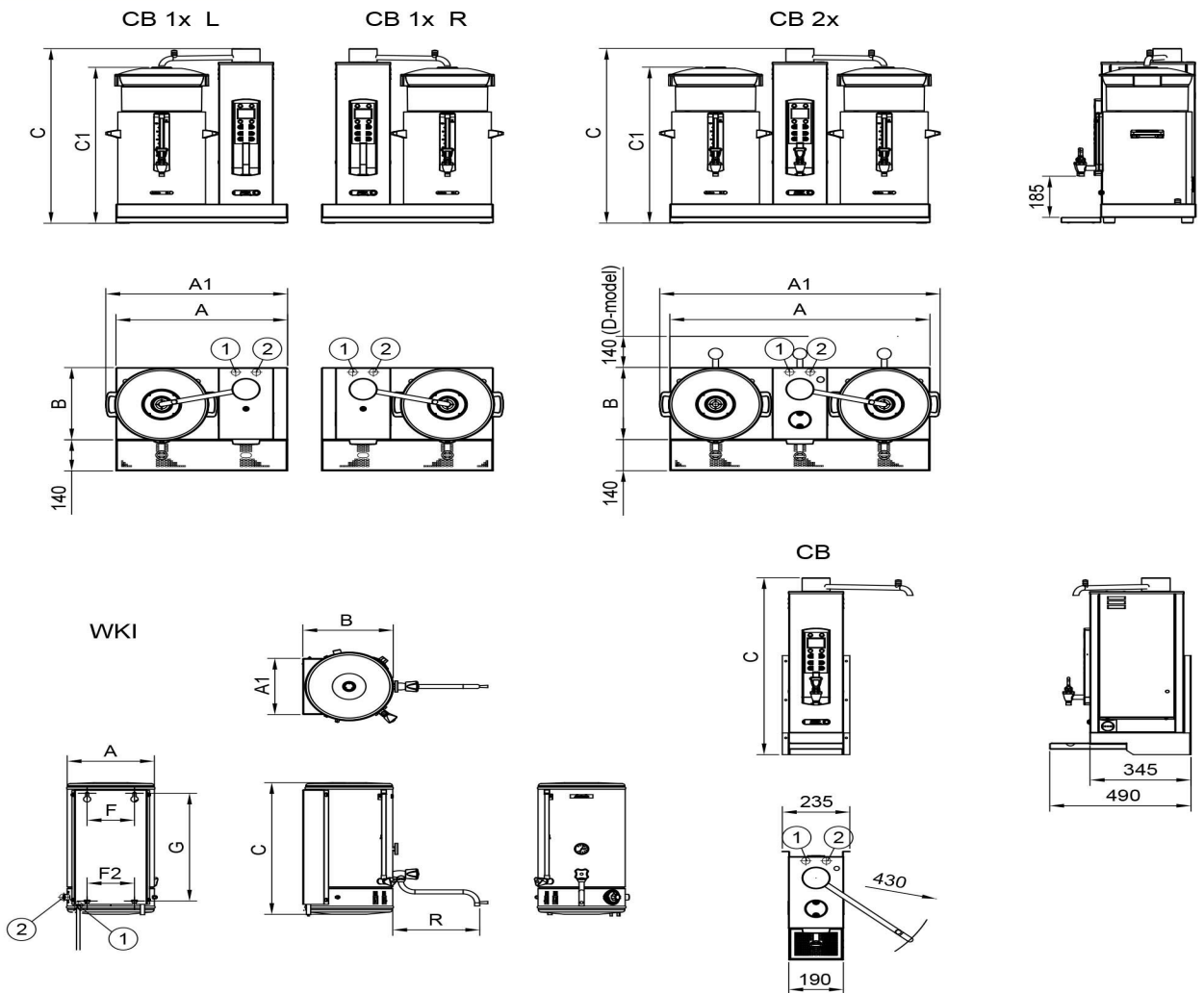
## Water heater Metos WKI 40n 400V3N~

Temperature area °C	0°C - +97°C
---------------------	-------------

Portion size	40 l
--------------	------



**METOS COMBI-LINE**



Metos	A	A1	B	C	C1	R	F	F2	G
CB 1 x 5 L/R /W	530		325	692	611				
CB 1 x 10 L/R /W	599	634	325	784	702				
CB 1 x 20 L/R /W	653	693	360	886	803				
CB 2 x 5 /W /D	770	818	325	692	611				
CB 2 x 10 /W /D	907	977	325	784	702				
CB 2 x 20 /W	1015	1095	360	886	808				
WKI 10	Ø224	188	249	523		255	124	74	432
WKI 20	Ø304	253	312	578		303	165	165	484
WKI 40	Ø382	316	404	685		338	165	165	565
WKI 60	Ø382	316	404	856		338	165	165	740
WKI 80	Ø444	367	456	890		338	250	250	780
CB 5 /W				700					
CB 10 /W				800					
CB 20 /W				800					